

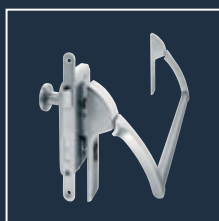
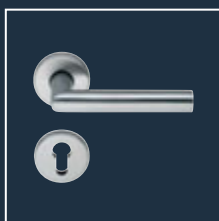
ECO **BTS**



Product information



■ SYSTEM TECHNOLOGY FOR THE DOOR



Product characteristics

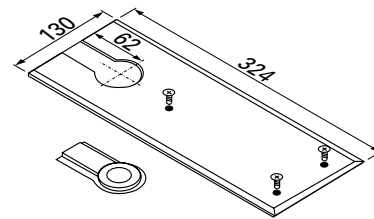
Closing force (with closing force display, continuously adjustable)	Size acc. to EN	3	4
Door width	≤ 950 mm	■	■
acc. to EN	≤ 1100 mm	-	■
Door weight	max. in kg	120	150
Dimensions (incl. mounting plate)	Length in mm	306	306
	Depth in mm	108	108
	Height in mm	40	40
Latching speed (adjustable)		■	■
Closing speed (adjustable)		■	■
Hold open 90° or 105° Not fire proved (continuously adjustable)		□	□
DIN left / right		■	■
Door opening angle		130°	

Tested acc. to EN **EN 1154 A**

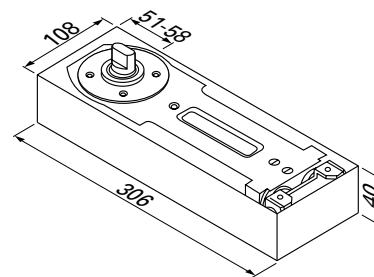
Suitable for fire- and smoke control doors (no permission when using with hold-open) **F**

Certified according to EU-Directive **CE**

- Yes
- No
- Option



Dimensions: Cover



Dimensions: Cement case

ECO BTS ■ ... flattens itself!

The BTS-FH floor door closer is distinguished by its particularly flat design which makes it the ideal door closer for single-leaf latching and swinging doors. The overall height of only 40 mm enables easy installation.

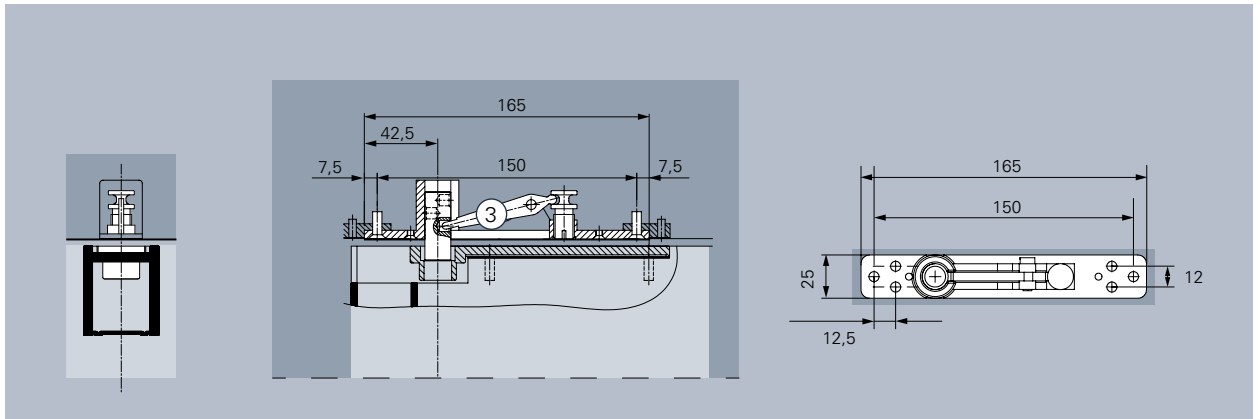
The BTS-FH is available in size 3 and size 4. It is tested acc. to **EN 1154 A** and therefore meets all requirements.



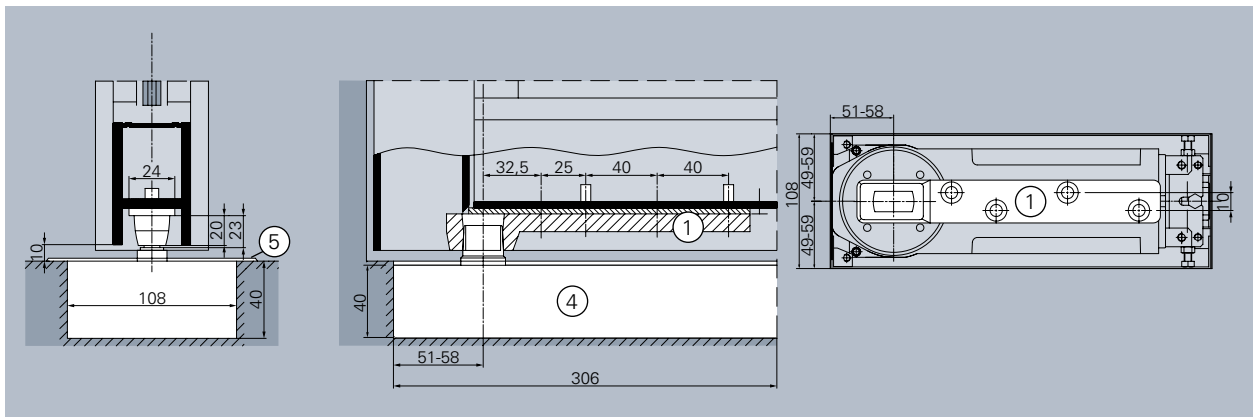
For the use on solid glass doors you need the respective fittings. You can get more information in the chapter "Glass door fittings".

Installation drawing for patch handles

illustration DIN left-door, DIN right laterally reversed



Frame installation, reception on top



Floor mounting

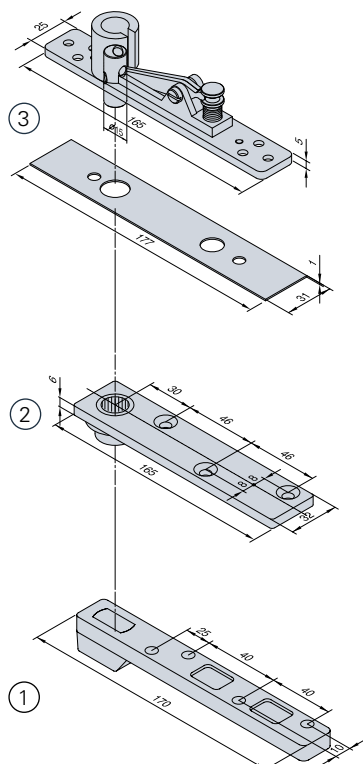
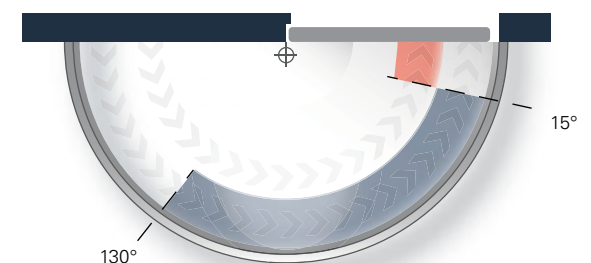


Illustration: Accessory sets

Closing force diagram BTS, hinge side



Closing speed

Continuously adjustable closing speed from approx. 130° to 10°

Latching speed

Increases the closing speed and thus the safe closing of the door, for example to overcome door seals, door locks and high air pressure. Continuously adjustable, works between 10° to 0°

Order information

ECO BTS ▪ Product description

Floor spring ECO BTS

Door closer for single-leaf single action doors / double swing door. Installation in the floor incl. accessory set containing

- ① slide rail for metal and wooden doors
- ② reception for pivot hinge
- ③ adjustable pivot hinge
- ④ cement case
- ⑤ and cover made of stainless steel

- Dimensions: 306 / 108 / 40 mm
- Closing force: 3 or 4, not adjustable
- Back-check: optional, adjustable
- Closing speed: adjustable
- Latching speed: adjustable
- Opening angle: 130°
- Hold-open as option, 90° or 105°

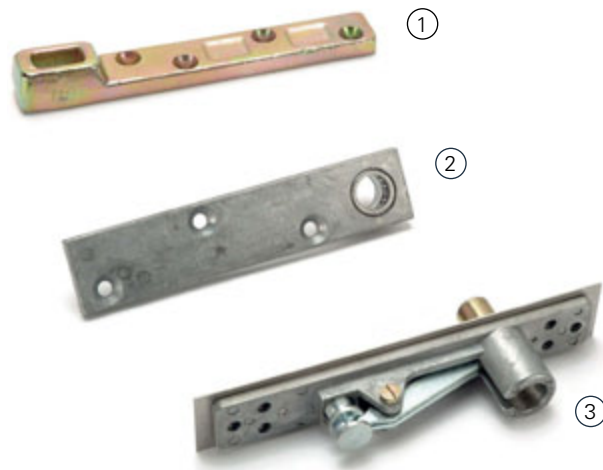


Illustration: Accessory sets

Article numbers



Door-closer FH 843	Hold-open	Article number	Door-closer FH 844	Hold-open	Article number
FH 843 (3)	-	307048000O00000	FH 844 (4)	-	307048000O20000
FH 843 (3)	90°	307048000O00001	FH 844 (4)	90°	307048000O20001
FH 843 (3)	105°	307048000O00002	FH 844 (4)	105°	307048000O20002

ECO Schulte GmbH & Co. KG
Iserlohner Landstraße 89
D - 58706 Menden

Telefon: +49 2373/9276-0
Fax: +49 2373/9276-40

info@eco-schulte.de
www.eco-schulte.de

© ECO Schulte GmbH & Co. KG - Änderungen vorbehalten
© ECO Schulte GmbH & Co. KG - Subject to change