



ENTHUSIASM, CREATIVITY, JOY

We enthusiastically welcome the challenge of global competition as we can rely on the certainty of our know-how and on the power of OTLAV automation. Now inventing, creating, producing and selling are the joyful principles that stem from our new powerful position.

Fabio Padovan

OTLAV's new administrative headquarters and new factory was inaugurated in 2007, in Via Angelo Padovan 2 in Santa Lucia di Piave (TV), in an area of 45,000 square meters of which 19,500 are covered.

Following the opening of the first OTLAV office in March 1956, OTLAV has found today its perfect location to face the challenges imposed by the new millennium. "OAMH" - "Otlav Automatic Material Handling" otherwise known in Italian as the (Sistema Informativo Trasporti OTLAV)" - is a project developed after five years of research and studies around the world, a technological jewel created at first by designing the best logistical location, and then the subsequent lay out, and eventually a real container represented by the shed which was placed to cover these structures : an unmistakable technological masterpiece, this shed is 10 meters high. Rationalization of space, optimization of logistics and exploitation of integrated automation: all of these account for respectively the flow or transportation of materials and the streaming of information. The goal is to cut costs by rendering the hinges that are produced increasingly competitive with an unparalleled level of quality. The means through which this goal is achieved is by the implementation of a complex automated system from the first stage of production, that is, from the instant when the raw material enters

the factory, to the exit of the finished product, without any sort of interference from the outside.

For the transportation of all necessary material, "OAMH" makes use of special automatic trolleys designed and built specifically for OTLAV, called LGV (Laser Guided Vehicle) . These trolleys transport and distribute the necessary materials to individual machinery for seamless working in a completely automatic way. Speed, safety and precision.

OTLAV is today a highly competitive company and is the only fully automatic and independent company in this sector throughout Europe.

The real strength lies in the internal development of an enormous over fifty years old "know-how", impossible to be repeated by the global competitors.

In this way OTLAV has achieved a goal that was tenaciously desired by the Founder, Angelo Padovan for his company, that now enjoys the most advanced technology: to release each stage of OTLAV's cooperate activities from all unforeseen circumstances that could occur in the event where certain stages of the production activity might have been delegated to external entities.

OTLAV**CODE**

AA BBB CCC DD EE

The ordering code has been prepared using the following method:

AA = the GROUP.

CE = bush for hinge, CF = female part of the hinge,
CG = male part of the hinge, CI = complete hinge,
CR = pintle, FP = pivot, GC = cap, JR = junction plate,
LC = flushbolt, MA = tool kit, MC = jig, NP = plate,
NT = hook bolt, RO = washer.

BBB = MODEL.

CCC = DIAMETER or REFERENCE SIZE (hinges = diameter; bolts = length). For tools, it indicates the diameter of the article for which they have been made. It is specified in teens of millimeter: for example \varnothing 13 = 130.

DD = SURFACE FINISHING of the particular product.

EE = PROCEEDING NUMBER which identify the article.

NB OTLAV® may not be held responsible for any errors that occur due to an incomplete, absent or incorrect article code during the dispatching of orders.

OTLAV**CODE**

9F Grey plastified (9F)
A0 Walnut resin
A1 Durmast resin
A2 Black resin
A3 White resin
A7 Blue-white resin
AB Bronze resin
B0 Bronze plated
B1 Special bronze plated
E0 Otlav Patiné
G0 Natural
G2 Varnished phosphatized
H0 Zinc plated
H1 Yellow galvanised
H2 Black varnished zinc plated
H3 Black engraved zinc plated
H5 Zinc plated 12 μ
HE Black varnished zinc plated
HN Black not varnished zinc plated
IL Polished stainless steel
IM Matt stainless steel
J7 Satinized silver aluminium
JA Blue satinized nickel pl. Aluminium
JI Silver aluminium
JO Gold aluminium
JT Satinized nickel pl. Aluminium
JZ Bronze aluminium
K1 SimilOro
L0 Polished
L1 Polished varnished
M7 Satinized silver Nylon
MI Silver nylon
MO Gold Nylon
NO Nickel plated
N1 Static nickel plated
N4 Matt nickel plated
N6 Super Nickel plated
N7 Satinized Nickel Plated
OO Brass plated
O2 Antique Brass plated
P0 Brown plastified
P1 Ivory plastified (RAL 1015)
P2 Black plastified
P3 White plastified (RAL 9010)
P4 Blue-white plastified
P9 Grey plastified (RAL 7035)
PB Black plastified embossed
PD Beige plastified (RAL 1013)
PF Antique gold plated
PG Old silver
PI White plastified (RAL 9016)
PJ Snow-white plastified
PU Clay brown plastified (RAL 8003)
RO Burnished
T0 Chrome plated
T1 Satinized chrome plated
Y2 Black Nylon
Y3 White Nylon
Y5 Blue White Nylon
Y6 White Nylon (RAL 9016)
Y8 Dark Brown Nylon
YA Gold Nylon
YB Chrome Nylon
YC Matt Nickel Plated Nylon
YD Brown Nylon
YE Beige Nylon (RAL 1013)
YG Grey Nylon (RAL 7035)
YS Matt Chrome Plated Nylon
YU Clay Nylon (RAL 8003)

ENGLISH **CATALOGUE**

We have compiled this list in order to help our customers as much as possible when they are making out their orders, to eliminate the possibility of mistakes and subsequently, to shorten the delivery times of our products.

The codes of all the articles available in the OTLAV warehouse are listed clearly and precisely and each code refers to a single article.

For example, there is a code for the complete hinge (code CI), the male part (code CG) and the female part (code CF), or the hinge cap (code GC). In each case, the product is described in detail, with code, type, finishing, packaging and price.

The price is given in Euros and the price in bold type is the sum of the prices that make up a hinge, i.e. the price of the male part (code CG) plus the price of the female part (code CF), or the price of a complete hinge (code CI).

Important: We recommend that you pay the utmost attention when using this List, especially in the initial stages, because **ONLY COMPLETE, EXACT CODES ARE CONSIDERED VALID**, in order to avoid regrettable hitches.

This price list can undergo products and prices modifications without notice, for updates refer exclusively to the online price list published on web site **www.otlav.com**.

Further information regarding OTLAV products, such as quality reports, tests and others, is available on the website: **www.otlav.com**.

Accessories

pag. 6

Tools

pag. 13

Caps

pag. 29

Pintles

pag. 47

Flushbolts

pag. 69

Stainless steel

pag. 73

Wood

pag. 79

Metal

pag. 139

Furniture

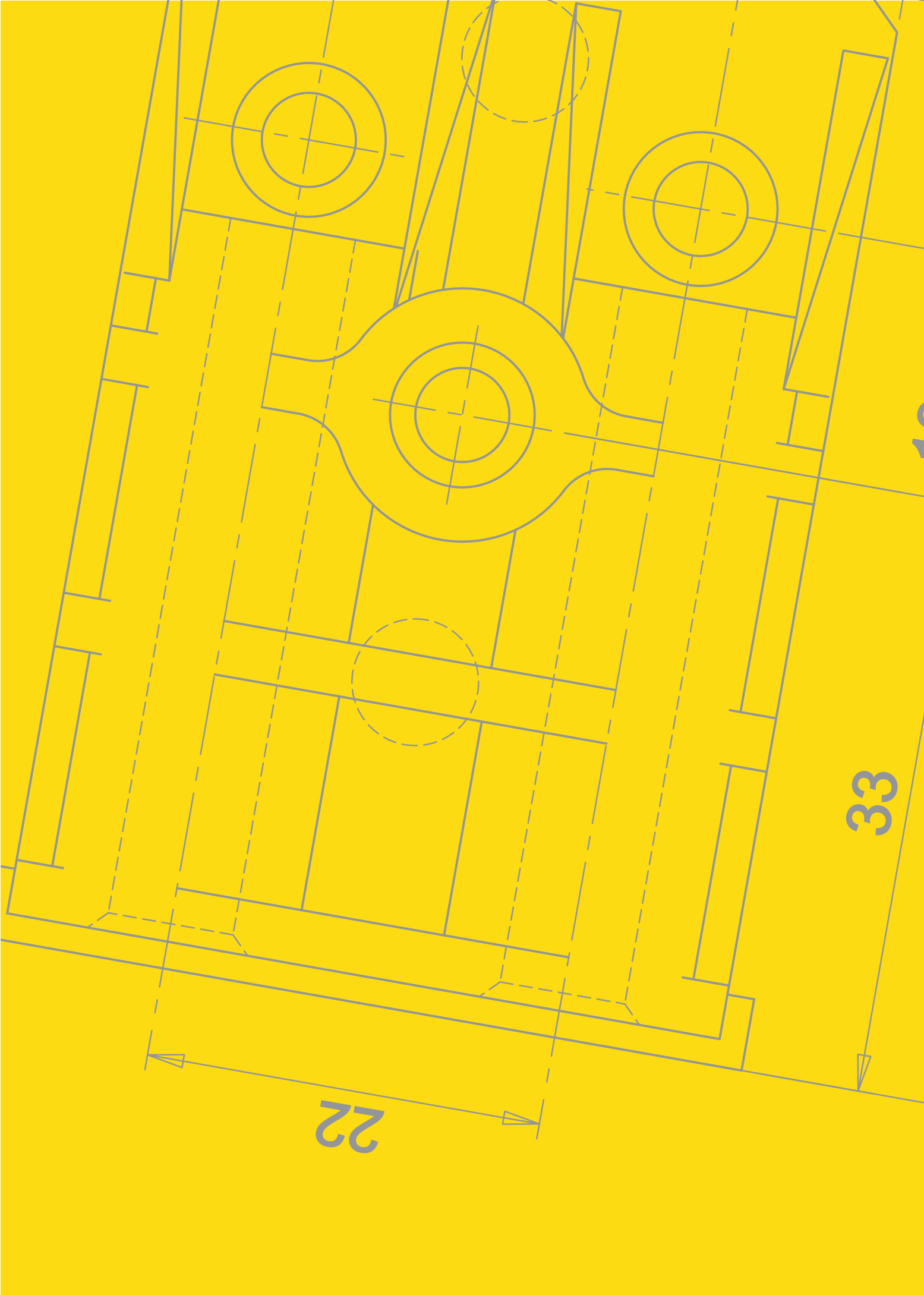
pag. 149

PVC

pag. 161

TEST

pag. 171



22

33

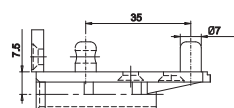
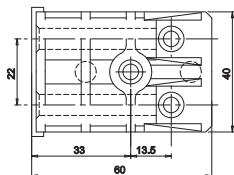
ACCESSORIES

ACCESSORIES



JC 060 ANTINTRUSION


Zamak



JC 060 430 G0 02 gr 101,84
Fixing plate for female part anti-intrusion

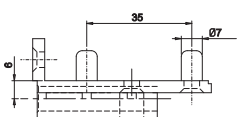
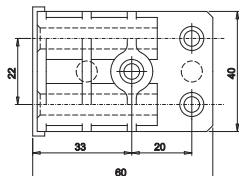
Natural

4x50=200
Box x pcs.Each

5,480

JC 060


White Nylon



JC 060 430 Y3 06 gr 19,24
Fixing plate for female part

White Nylon

4x50=200
Box x pcs.Each

1,333

JC 060 430 Y8 06 gr 19,24
Fixing plate for female part

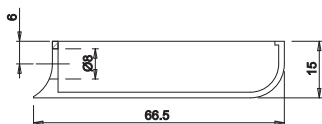
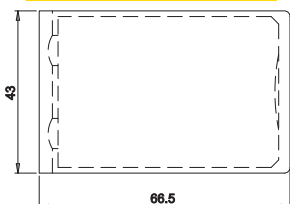
Dark Brown Nylon

4x50=200
Box x pcs.Each

1,448

JC 066


Gold Nylon



JC 066 430 Y3 03 gr 9,24
Cap for female fixing plate

White Nylon

4x50=200
Box x pcs.Each

0,930

JC 066 430 Y5 01 gr 9,24
Cap for female fixing plate

Blue White Nylon

4x50=200
Box x pcs.Each

0,930

JC 066 430 Y8 03 gr 9,24
Cap for female fixing plate

Dark Brown Nylon

4x50=200
Box x pcs.Each

0,930

JC 066 430 YA 03 gr 9,24
Cap for female fixing plate

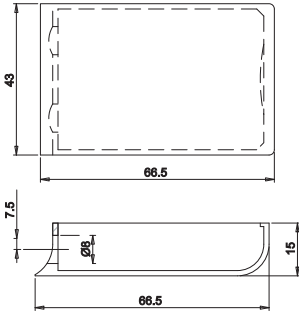
Gold Nylon

4x50=200
Box x pcs.Each

4,333

JC 067 ANTINTRUSION

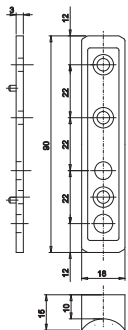

JC 067 430 Y3 02	gr 8,44	4x50=200	1,240
Cap for female fixing plate	White Nylon	Box x pcs.Each	


JC 090

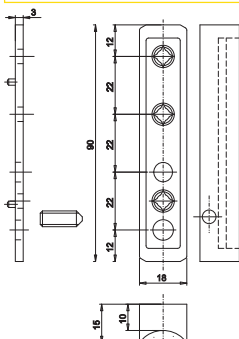

JC 090 180 Y3 07	gr 35,84	4x50=200	1,970
Fixing plate for male part	White Nylon	Box x pcs.Each	

JC 090 180 Y5 07	gr 35,84	4x50=200	1,970
Fixing plate for male part	Blue White Nylon	Box x pcs.Each	

JC 090 180 Y8 07	gr 35,84	4x50=200	1,970
Fixing plate for male part	Dark Brown Nylon	Box x pcs.Each	


JC 090 ANTINTRUSIONE


JC 090 180 Y3 14	gr 37,44	4x50=200	2,625
Fixing plate for male part anti-intrusion	White Nylon	Box x pcs.Each	



JR 512

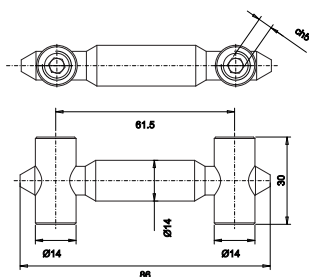
JR 512 140 H1 02
Angle door connector

gr 43,02

Zinc plated

 4x40=160
Box x pcs.Each

5,120

NEW

JR 514 (M10)

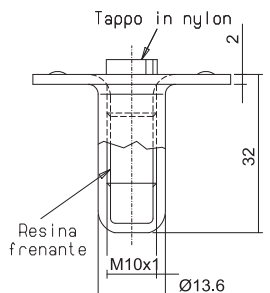
JR 514 M10 G0 06
Metal fixing plate with cap for pin M10x1

gr 23,50

Natural

 1x600=600
Box x pcs.Each

0,853

NEW

JR 515 (M10)

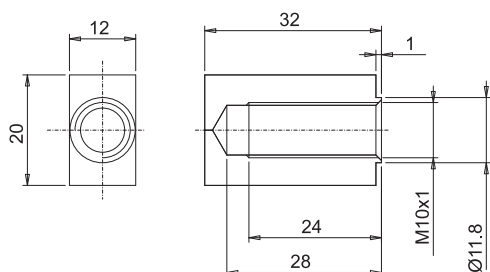
JR 515 M10 G0 02
Metal fixing plate with cap for pin M10x1

gr 41,60

Natural

 4x120=480
Box x pcs.Each

1,970



JR 519



Black Nylon

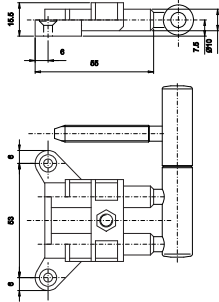
JR 519 070 Y2 04
Fixing plate for art 100/101

gr 23,41

Black Nylon

1x200=200
Box x pcs.Each

0,850



JR 519 (for M8)



Black Nylon

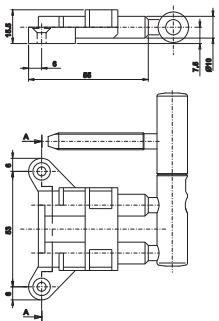
JR 519 070 Y2 06
Fixing plate for male part 491

gr 14,71

Black Nylon

1x200=200
Box x pcs.Each

0,893



JR 520 (for M10)



Zinc plated

JR 520 M10 H0 02
Metal anchor for pin M10x80

gr 43,02

Zinc plated

4x100=400
Box x pcs.Each.

0,735

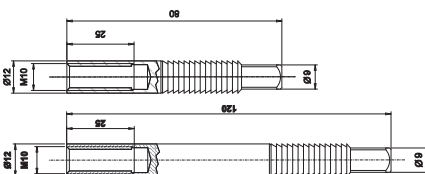
JR 520 M10 H0 04
Metal anchor for pin M10x120

gr 120,00

Zinc plated

4x60=240
Box x pcs.Each

1,078



NEW

NP 040 (M7)


White plastified

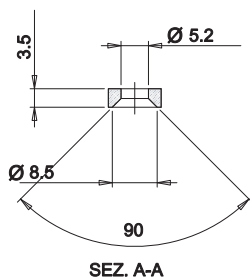
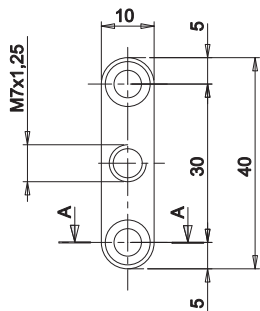
NP 040 100 P3 05
 Fixing plate with 3 holes for M7

gr 7,19

8x350=2800

0,525

White plastified (RAL 9010) Box x pcs.Each


SEZ. A-A
NP 060 (M7)


White resin

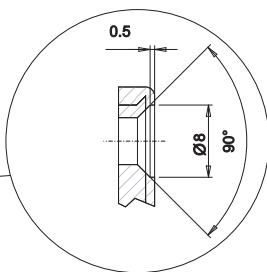
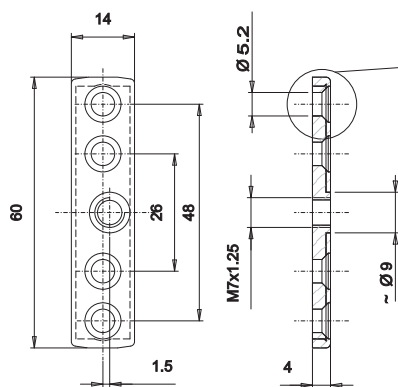
NP 060 140 A3 04
 Fixing plate in anticorrosion resin with 5 holes for M7 White resin

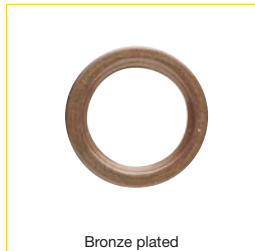
gr 14,43

1x1000=1000

0,610

Box x pcs.Each



RO 720


RO 720 130 G0 04	gr 0,52	1x1=1	0,198
Raw brass washer, thickness 1 mm, for bearing hinge Ø 13	Natural	Unpacked	

RO 720 130 G0 08	gr 1,00	1x1=1	0,223
Raw brass washer, thickness 2 mm, for bearing hinge Ø 13	Natural	Unpacked	

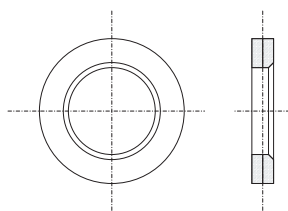
RO 720 130 H0 02	gr 1,90	1x1=1	on demand
Zinc plated brass washer, thickness 1 mm, for bearing hinge Ø 13	Zinc plated	Unpacked	

RO 720 140 B0 02	gr 0,64	1x1=1	0,238
Bronze plated brass washer, thickness 1 mm, for bearing hinge Ø 14	Bronze plated	Unpacked	

RO 720 140 B0 04	gr 1,29	1x1=1	0,263
Bronze plated brass washer, thickness 2 mm, for bearing hinge Ø 14	Bronze plated	Unpacked	

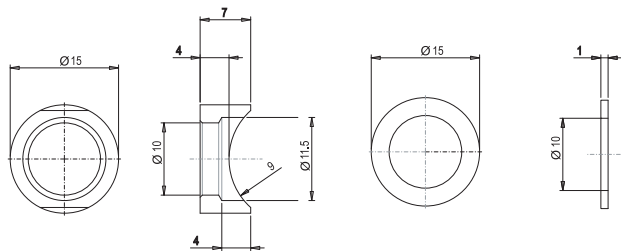
RO 720 140 G0 04	gr 0,65	1x1=1	0,238
Raw brass washer, thickness 1 mm, for bearing hinge Ø 14	Natural	Unpacked	

RO 720 160 G0 04	gr 0,81	1x1=1	0,298
Raw brass washer, thickness 1 mm, for bearing hinge Ø 16	Natural	Unpacked	

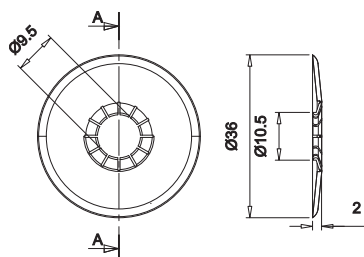

RO 720 antitheft

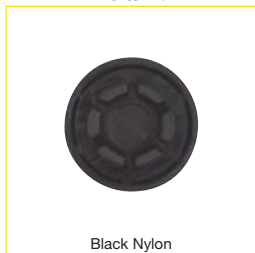

RO 720 150 H0 07	gr 3,50	8x500=4000	0,400
Ring in hardened steel, thickness 4 mm	Zinc plated	Box x pcs.Each	

RO 720 150 H0 08	gr 0,77	1x1=1	0,263
Ring in hardened steel, thickness 1 mm	Zinc plated	Unpacked	


TO Ø35


TO 002 350 Y2 02	gr 1,00	8x192=1536	0,150
Hole cover	Black Nylon	Box x pcs.Each	



TO Ø20


TO 007 200 Y2 02
Nylon cap for pintle, hole Ø12

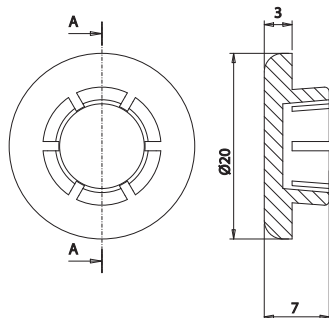
gr 0,98

Black Nylon

8x300=2400
Box x pcs.Each

0,098

NEW


TP 990


TP 990 400 P0 02
Door closer

gr 300

Brown plastified

1
Unpacked

52,370

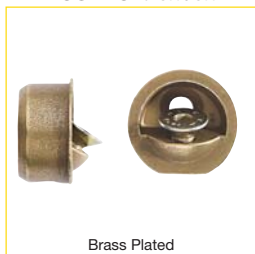
TP 990 400 P3 02
Door closer

gr 300

White plastified (RAL 9010)

1

52,370

ROSTRO for S08 / S98


AI S98 200 O0 02
Door alignment pin

gr 29.4

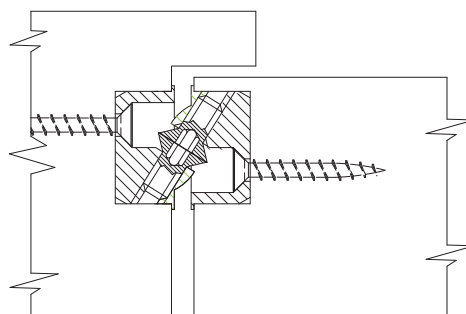
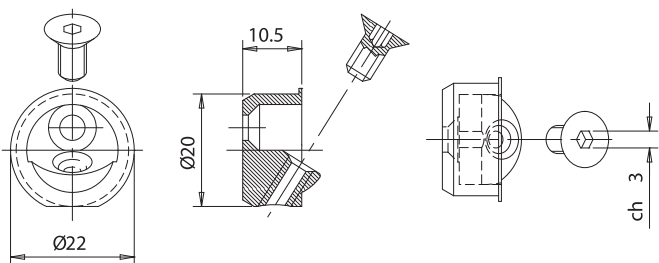
Brass Plated

8x160=1280 pz
Box x pcs.Each

2,435

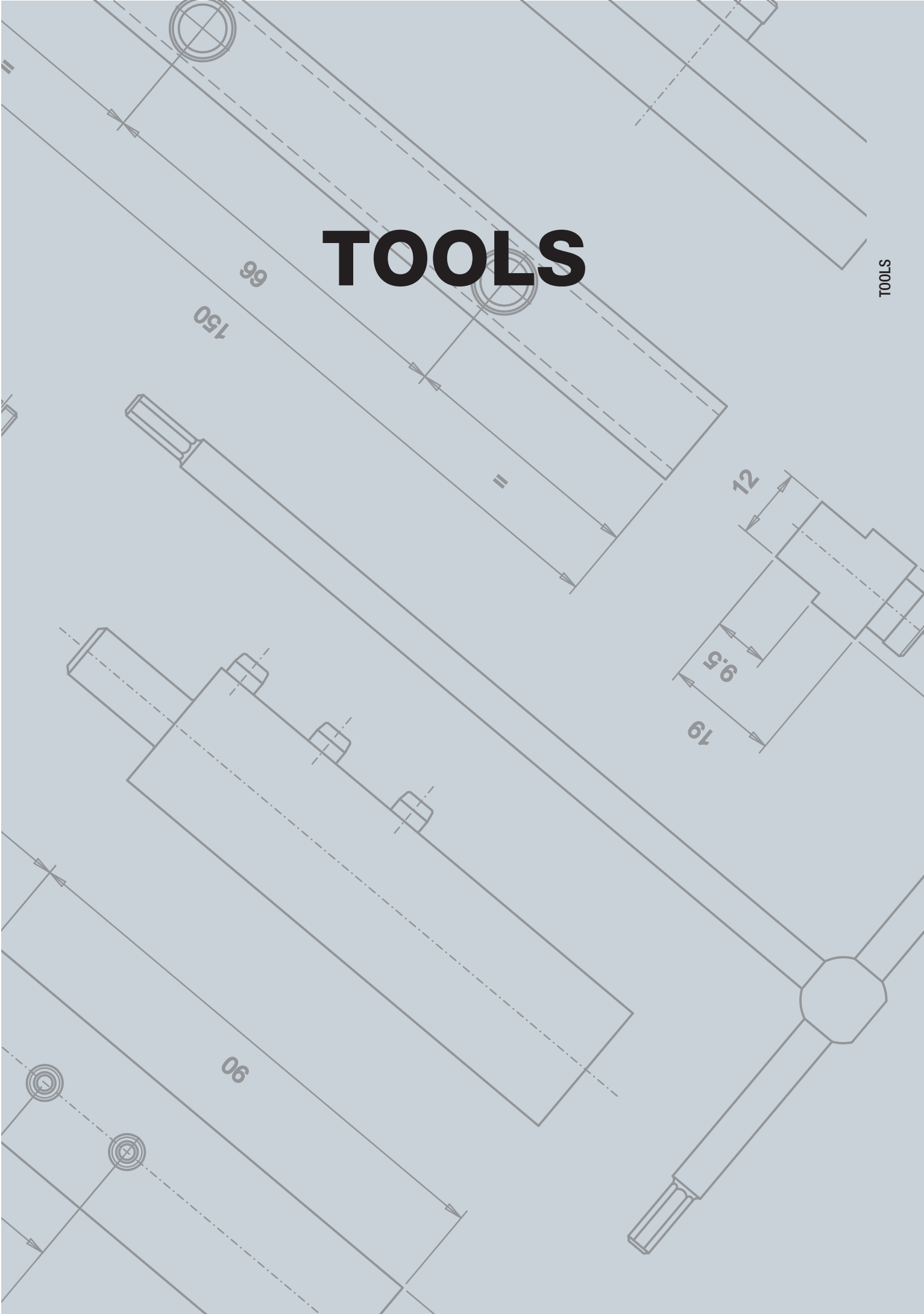
NOTE: Every door requires 2 AI S98 that must be fitted opposite each other.

NEW



TOOLS

TOOLS



MA 700 Wooden FLUSH Tool KIT



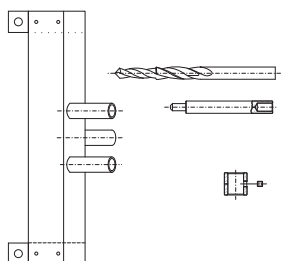
MA 700 090 G0 02	gr 503	1	75,105
Complete wooden flush tool kit with accessories (for Ø 9 / 575 Ø 12) Natural			

MA 700 110 G0 02	gr 493	1	72,105
Complete wooden flush tool kit with accessories (for Ø 11) Natural			

MA 700 130 G0 04	gr 483	1	71,873
Complete wooden flush tool kit with accessories (for Ø 13) Natural			

MA 700 140 G0 02	gr 613	1	74,985
Complete wooden flush tool kit with accessories (for Ø 14 / Q35 Ø 14) Natural			

MA 700 160 G0 04	gr 613	1	80,470
Complete wooden flush tool kit with accessories (for Ø 16 / Ø57 Ø 16 / Q15 Ø16) Natural			

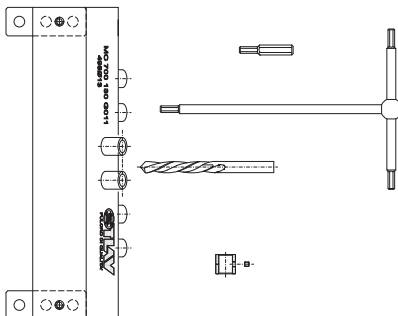


MA 700 FLUSH Tool KIT for Exacta Ø13

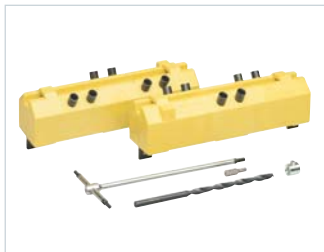


MA 700 130 G0 12	gr 513	1	300,03
Complete aluminium flush tool kit with accessories (for 495 Ø 13) Natural			

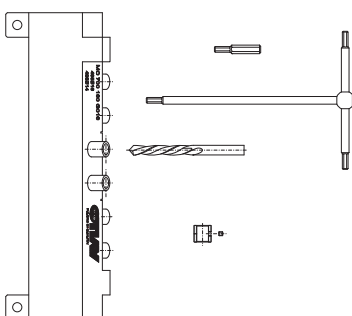
NEW



MA 700 Wooden FLUSH Tool KIT for Exacta Ø14 e Ø16



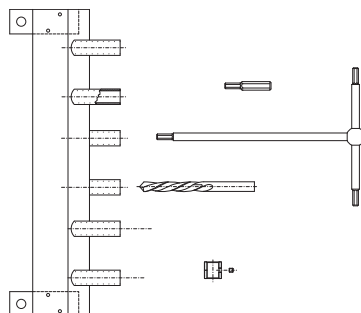
MA 700 160 G0 06	gr 603	1	118,125
Complete PVC flush tool kit with accessories (for 495 Ø 14 / Ø 16) Natural			



MA 700 FLUSH Tool KIT for Exacta Ø20



MA 700 200 G0 10	gr 773	1	170,625
Comp. wooden flush tool kit with accessories (for 495 Ø 20)		Natural	Box



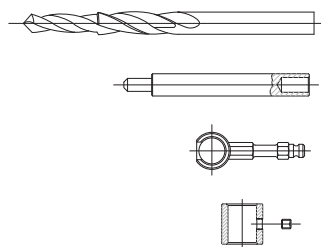
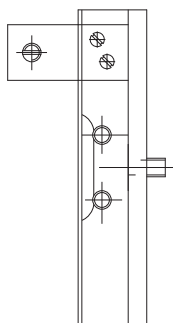
MA 701 Wooden OVERLAY Tool KIT



MA 701 090 G0 02	gr 553	1	81,888
Comp. wooden overlay tool kit with accessories (for Ø 9 / 575 Ø 12)		Natural	Box

MA 701 110 G0 02	gr 553	1	97,920
Complete wooden overlay tool kit with accessories (for Ø 11)		Natural	Box

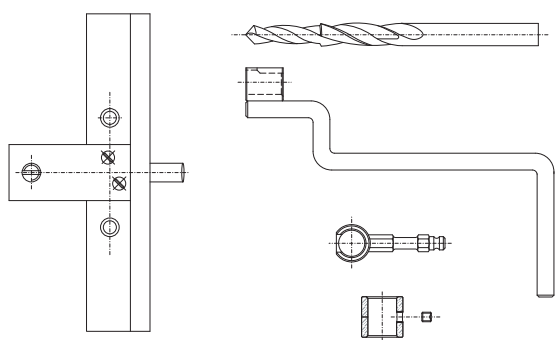
MA 701 130 G0 14	gr 623	1	98,505
Complete wooden overlay tool kit with accessories (for Perfecta Ø 13 M7)		Natural	Box



MA 701 Wooden OVERLAY Tool KIT



MA 701 150 G0 02	gr 770	1	on demand
Complete wooden overlay tool kit with accessories (for 320 Ø 15)		Natural	Box



MA 701 PVC OVERLAY Tool KIT

MA 701 130 G0 18

gr 453

 Complete PVC overlay tool kit with accessories (for \emptyset 13 / \emptyset 13 M8 / 057 \emptyset 13)

Natural

1

Box

82,688

MA 701 140 G0 11

gr 563

 Complete PVC overlay tool kit with accessories (for \emptyset 14 / Q35 \emptyset 14 / 057 \emptyset 14)

Natural

1

Box

89,250

MA 701 160 G0 11

gr 573

 Complete PVC overlay tool kit with accessories (for \emptyset 16 / 057 \emptyset 16 / Q15 \emptyset 16)

Natural

1

Box

85,313

MA 701 180 G0 06

gr 633

 Complete PVC overlay tool kit with accessories (for 320 \emptyset 18)

Natural

1

Box

180,000

MA 701 200 G0 19

gr 653

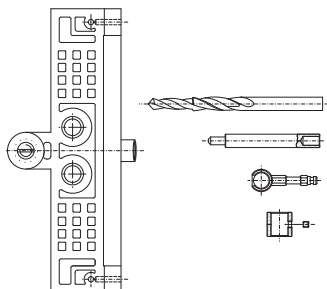
 Complete PVC overlay tool kit with accessories (for 320 \emptyset 20)

Natural

1

Box

144,375


MA 701 PVC OVERLAY Tool KIT

MA 701 160 G0 38

gr 583

 Complete PVC overlay tool kit with accessories (for 320 \emptyset 16)

Natural

1

Box

91,875

MA 701 180 G0 06

gr 633

 Complete PVC overlay tool kit with accessories (for 320 \emptyset 18)

Natural

1

Box

180,000

MA 701 200 G0 19

gr 653

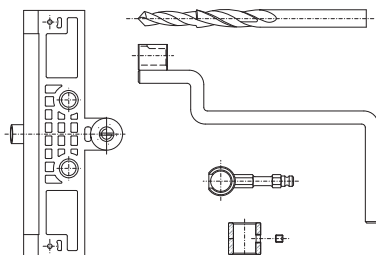
 Complete PVC overlay tool kit with accessories (for 320 \emptyset 20)

Natural

1

Box

144,375


MA 701 OVERLAY Tool KIT for 495 \emptyset 13

MA 701 130 G0 24

gr 513

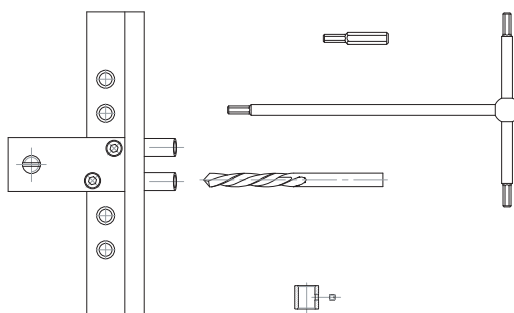
 Comp. aluminium overlay tool kit with accessories (for 495 \emptyset 13)

Natural

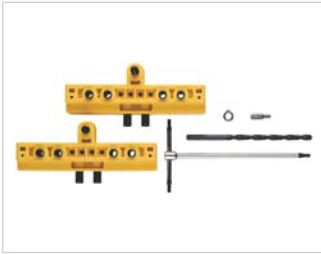
1

Box

358,228

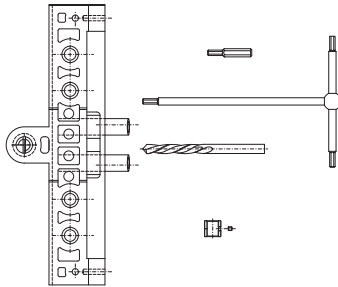


MA 701 OVERLAY Tool KIT for EXACTA



MA 701 160 G0 35	gr 513	1	118,125
Complete PVC overlay tool kit with accessories (for 495 Ø 14 / Ø 16) Natural			

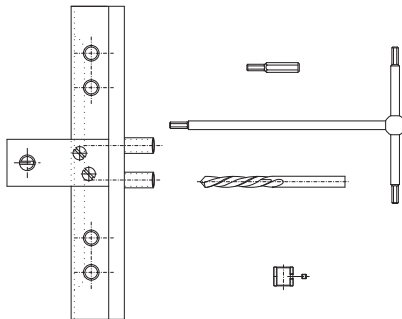
MA 701 200 G0 14	gr 723	1	183,750
Complete PVC overlay tool kit with accessories (for 495 Ø 20) Natural			



MA 701 OVERLAY Tool KIT for 499 Ø16



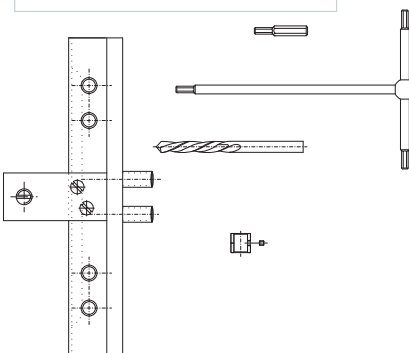
MA 701 160 G0 33	gr 623	1	183,750
Complete wooden overlay tool kit with accessories (for 499 Ø 16) Natural			



MA 701 OVERLAY Tool KIT for 495 Ø18



MA 701 180 G0 08	gr 943	1	255,938
Complete aluminium overlay tool kit with accessories (for 495 Ø 18) Natural			



MA 703 OVERLAY Tool KIT for BIXACTA PVC
MA 703 483 G0 02

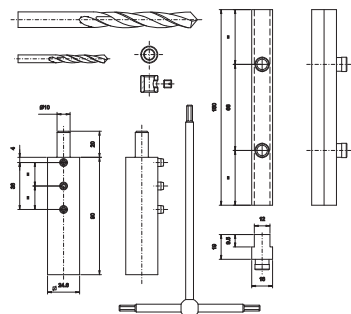
gr 427

1

230,000

Complete PVC overlay tool kit with accessories (for 483 PVC Ø 16) Natural

Box


NEW

MA 703 OVERLAY Tool KIT for EXACTA PVC
MA 703 490 G0 04

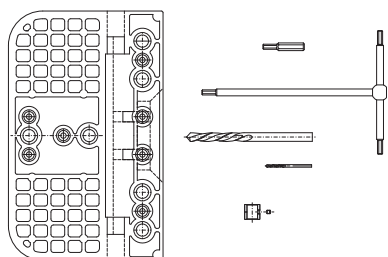
gr 650

1

on demand

Complete PVC overlay tool kit with accessories (for 495 PVC Ø 16) Natural

Box


NEW

MA 705 EXACTA Ø16 (Special Inclination)
MA 705 160 G0 08

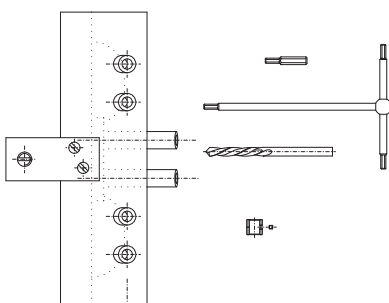
gr 937

1

on demand

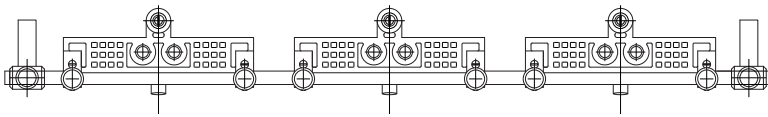
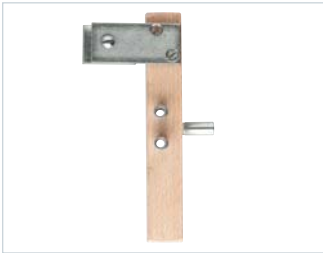
Comp. wooden overlay tool kit with accessories (for 495 Ø 16 special) Natural

Box

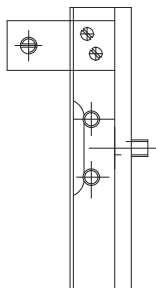


MA 801

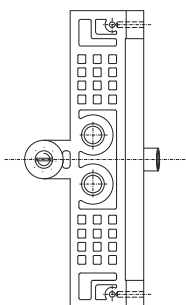

MA 801 130 G0 08 Tube containing 1 rod with 3 jigs in PVC (for Ø 13 / Ø 13 M8 / 057 Ø 13)	gr 1420 Natural	1 Tube	210,000
MA 801 140 G0 07 Tube containing 1 rod with 3 jigs in PVC (for Ø 14 / Q35 Ø 14)	gr 1680 Natural	1 Tube	210,000
MA 801 160 G0 28 Tube containing 1 rod with 3 jigs in PVC (for 495 Ø 14 / Ø 16)	gr 1530 Natural	1 Tube	236,250
MA 801 200 G0 25 Tube containing 1 rod with 3 jigs in PVC (for 495 Ø 20)	gr 1020 Natural	1 Tube	249,375


MC 701 Wooden OVERLAY MOUNTING JIG


MC 701 090 G0 02 Overlay wooden mounting jig with 3 Bushes (for Ø 9 / 575 Ø 12)	gr 230 Natural	1 Unpacked	34,270
MC 701 110 G0 02 Overlay wooden mounting jig with 3 Bushes (for Ø 11)	gr 240 Natural	1 Unpacked	34,815


MC 701 OVERLAY PVC MOUNTING JIG


MC 701 130 G0 60 Overlay PVC mounting jig with 3 Bushes (for Ø 13 / Ø 13 M8 / 057 Ø 13)	gr 180 Natural	1 Unpacked	28,875
MC 701 140 G0 60 Overlay PVC mounting jig with 3 Bushes (for Ø 14 / Q35 Ø 14)	gr 220 Natural	1 Unpacked	30,000
MC 701 160 G0 32 Overlay PVC mounting jig with 3 Bushes (for 320 Ø 16)	gr 230 Natural	1 Unpacked	31,500
MC 701 160 G0 60 Overlay PVC mounting jig with 3 Bushes (for Ø 16 / 057 Ø 16 / Q15 Ø 16)	gr 230 Natural	1 Unpacked	32,813
MC 701 180 G0 32 Overlay PVC mounting jig with 3 Bushes (for 320 Ø 18)	gr 210 Natural	1 Unpacked	32,813
MC 701 200 G0 32 Overlay PVC mounting jig with 3 Bushes (for 320 Ø 20)	gr 200 Natural	1 Unpacked	34,125



MC 701 OVERLAY MOUNTING JIG for EXACTA

MC 701 130 G0 22

gr 240

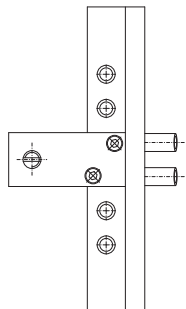
Aluminium overlay mounting jig (for 495 Ø 13)

Natural

1

Unpacked

159,163


MC 701 OVERLAY MOUNTING JIG for URSUS Ø16

MC 701 160 G0 67

gr 900

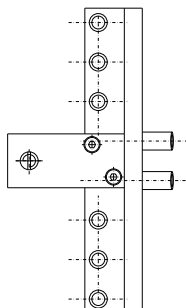
Aluminium overlay mounting jig (for 495 Ø 16 URSUS)

Natural

1

Unpacked

140,000


MC 701 OVERLAY MOUNTING JIG for EXACTA

MC 701 160 G0 35

gr 227

Overlay PVC mounting jig with 6 bushes (for 495 Ø 14 / Ø 16)

Natural

1

Unpacked

32,813

MC 701 200 G0 09

gr 295

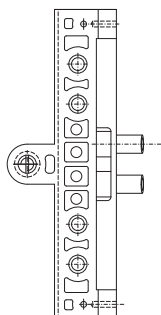
Overlay PVC mounting jig with 6 bushes (for 495 Ø 20)

Natural

1

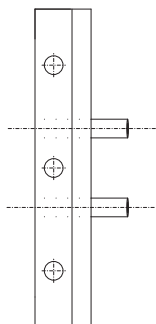
Unpacked

34,125

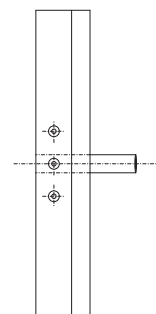


MC 703 OVERLAY MOUNTING JIG for P09 (M7)

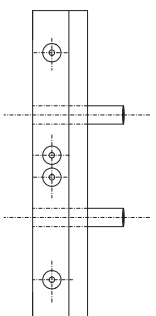
MC 703 P09 G0 02	gr 168	1	57,750
Overlay wooden mount. jig with 5 bushes (for P09 Ø 13 Male part and Fem. part M7) Natural Unpacked			

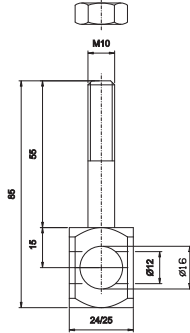

MC 703 OVERLAY MOUNTING JIG for P39 (M7)

MC 703 P39 G0 02	gr 133	1	161,065
Overlay wooden mount. jig with 4 bushes (for P39 Ø 13 Male part and Fem. part M7) Natural Unpacked			


MC 703 OVERLAY MOUNTING JIG for P50 (M7)

MC 703 P50 G0 18	gr 177	1	63,000
Overlay wooden mount. jig with 6 bushes (for P50 Ø 15 Male part and Fem. part M7) Natural Unpacked			



MC 707 MOUNTING JIG for Q80 (Hole 10)

MC 707 Q80 H1 01

gr 125

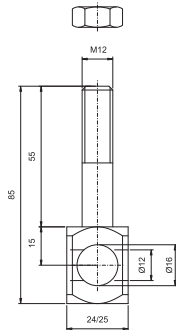
Mounting jig for wall pintle Q80 Ø 20 (Hole 10)

Yellow galvanised

1

Unpacked

20,000

MC 707 MOUNTING JIG for Q80 (Hole 12)

MC 707 Q80 H1 02

gr 135

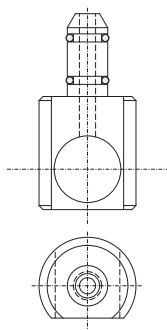
Mounting jig for wall pintle Q80 Ø 20 (Hole 12)

Yellow galvanised

1

Unpacked

20,000

MC 707 MOUNTING JIG for Q90

MC 707 Q90 H0 02

gr 55

Mounting jig for wall pintle Q90 Ø 16 (M10)

Zinc plated

1

Unpacked

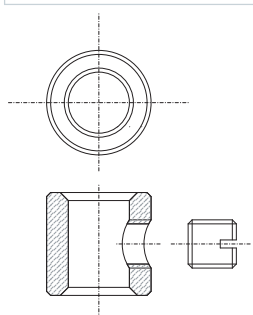
34,125

MC 710 Step-down DRILL BITS


MC 710 090 G0 02 Step down drill-bit Ø 5,2 - Ø 3,8 (for Ø 9)	gr 15 Natural	1 Unpacked	17,063
MC 710 130 G0 02 Step down drill-bit Ø 6,7 - Ø 5,3 (for Ø 13 / M8 / 320 Ø15)	gr 20 Natural	1 Unpacked	19,688
MC 710 140 G0 02 Step down drill-bit Ø 7,2 - Ø 5,8 (for Ø 14 / 320 Ø16)	gr 30 Natural	1 Unpacked	26,105
MC 710 160 G0 02 Step down drill-bit Ø 7,7 - Ø 6,3 (for Ø 16)	gr 30 Natural	1 Unpacked	23,625
MC 710 218 G0 02 Step down drill-bit (for Ø 18 / Ø 20)	gr 52 Natural	1 Unpacked	27,563

MC 710 DRILL-BITS

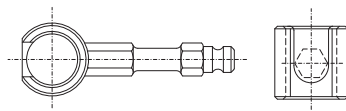
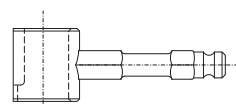

MC 710 110 G0 02 Drill-bit Ø 5,4 (for Ø 11)	gr 20 Natural	1 Unpacked	17,063
MC 710 0M7 G0 02 Drill-bit Ø 5,7 (for PVC M7)	gr 19 Natural	1 Unpacked	24,938
MC 710 140 G0 04 Drill-bit Ø7 (for 495 Ø14 / 495 Ø16 / 390 Ø20)	gr 30 Natural	1 Unpacked	13,650
MC 710 140 G0 06 Drill-bit Ø 6,8 (for 495 Ø14 / 495 Ø16)	gr 32 Natural	1 Unpacked	34,118
MC 710 200 G0 02 Drill-bit Ø 8,5 (for 495 Ø 20)	gr 40 Natural	1 Unpacked	17,588

MC 711 DRILL-BIT STOP


MC 711 620 H0 02 Drill-bit stop (for Ø 16 / 18 / 20)	gr 20 Zinc plated	1 Unpacked	5,318
MC 711 914 H0 02 Drill-bit stop (for Ø 9 / 11 / 13 / 14 / 15)	gr 9 Zinc plated	1 Unpacked	5,185

MC 712 DRILL SCREWER


MC 712 130 H0 02 Drill screwer (for Ø 13)	gr 30 Zinc plated	1 Unpacked	6,890
MC 712 140 H0 02 Drill screwer (for Ø 14)	gr 30 Zinc plated	1 Unpacked	7,000
MC 712 160 H0 02 Drill screwer (for Ø 16)	gr 40 Zinc plated	1 Unpacked	7,000
MC 712 180 H0 02 Drill screwer (for Ø 18)	gr 49 Zinc plated	1 Unpacked	on demand


MC 712 DRILL SCREWER for EXACTA Ø14 e Ø16


MC 712 160 H0 04 Drill screwer (for 495 Ø 14 / Ø 16)	gr 5,00 Zinc plated	1 Unpacked	7,000
---	------------------------	---------------	-------

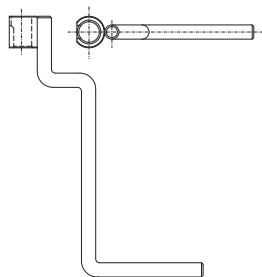

MC 713 REGISTERING PIN


MC 713 130 H0 02 Registering pin (for Ø 13)	gr 50 Zinc plated	1 Unpacked	6,695
MC 713 140 H0 02 Registering pin (for Ø 14)	gr 70 Zinc plated	1 Unpacked	6,695
MC 713 160 H0 02 Registering pin (for Ø 15 / Ø 16)	gr 70 Zinc plated	1 Unpacked	6,695

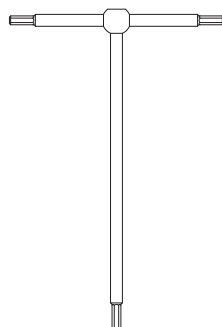


MC 714 MANUAL SCREWER

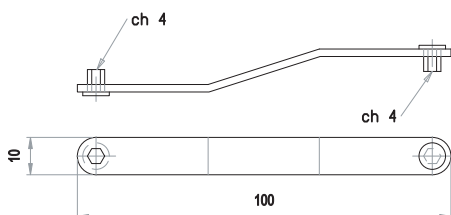

MC 714 130 H1 02 Manual screwdriver (for Ø 13)	gr 145 Yellow galvanised	1 Unpacked	21,000
MC 714 140 H1 02 Manual screwdriver (for Ø 14)	gr 143 Yellow galvanised	1 Unpacked	21,000
MC 714 160 H1 04 Manual screwdriver (for Ø 16)	gr 90 Yellow galvanised	1 Unpacked	26,250


T-wrench


MC 714 160 H0 02 T-wrench imp. 4 (for 495 Ø 14 / Ø 16 - 057 Ø 13 / Ø 14 / Ø 16)	gr 60 Zinc plated	1 Unpacked	31,500
MC 714 200 H0 02 T-wrench imp. 5 (for 495 Ø 20)	gr 100 Zinc plated	1 Unpacked	32,813


TRIMK


MC 714 CH4 H5 02 S-wrench imp. 4 (for 495 Ø14/Ø16 / 057 Ø13/Ø14/Ø16)	gr 17 Zinc plated 12 µ	1 Unpacked	6,695
---	---------------------------	---------------	-------



1/2_ A modular construction permits to use the same jigs, by replacing only the block, to fit different kinds of Otlav hinges.

3_ A versatile and extremely easy work-tool.

4_ Provided with a millimetric rod for correctly positioning the jigs on the frames and on the doors.

5_ Another strong point of the UNIVERSAL rod is represented by the revolutionary reversible stop. Duly adjusted, it permits to position the rod always with a micrometric precision, in different times both on the frames and on the doors.

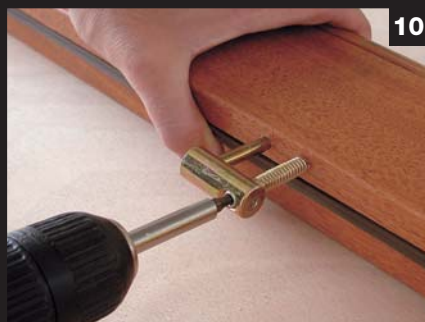
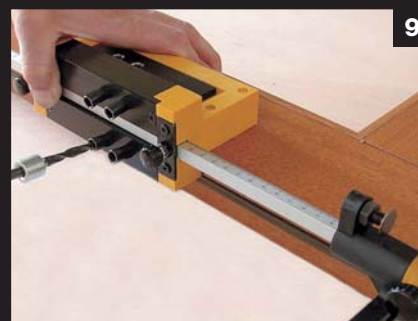
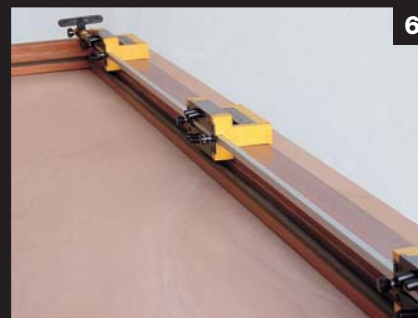
6_ The UNIVERSAL rod has been designed to drill and then to quickly fit the hinges on different doors and frames production lines.

7_ The first, easy action to drill the frame, is the correct reversible stop positioning on the frame reference.

8_ Successively proceed by drilling the frame.

9_ As for the door the process is the same, the correct reversible stop positioning on the door reference, is the first operation to be done while drilling.

10/11_ It is then easy to proceed by fitting both the male and the female parts.



UNIVERSAL ROD



The concept of **versatility** is on the base of the rod “**UNIVERSAL**” design: **precision, velocity** and **flexibility** are the aims realized with this revolutionary OTLAV® product.

Unlike the standard hinge drilling systems, with UNIVERSAL, thanks to the device which can lodge two or three special tools that permit the separate door and frame drilling for the subsequent hinge fitting, it is not necessary to place the door on the frame; so that it is possible to **prepare two separate lines** to produce the doors, that is to say **one for producing the shutters and one for the frames**.

The special symmetric shape of the jig and the

reversible stop ensure the same rod can be used both for doors and frames whether left or right.

The using of the shim finally permits to adapt the jig in case it would be necessary to increase or decrease the drilling distances respect to door or frame. UNIVERSAL suitably equipped permits fitting male pieces on frames, taking as reference the females already fitted on the door for instance with automatic machines.

The UNIVERSAL rod jigs are **customized** according to the kind of frame, to the type of hinge to be fitted, to the position and angle of the pins as to the door or frame.

www.otlav.com

UNIVERSAL ROD:

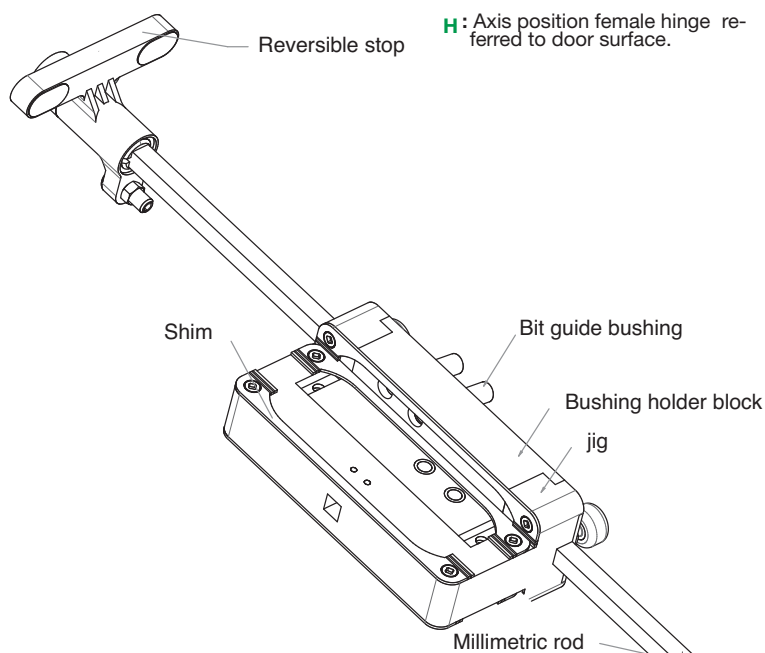
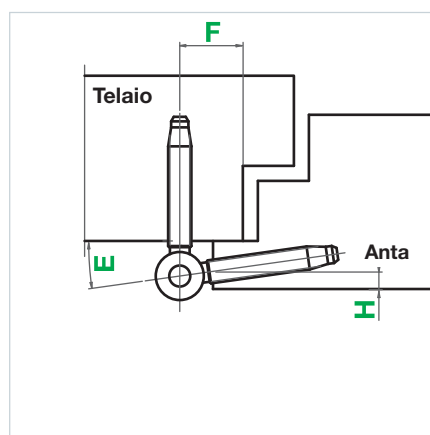
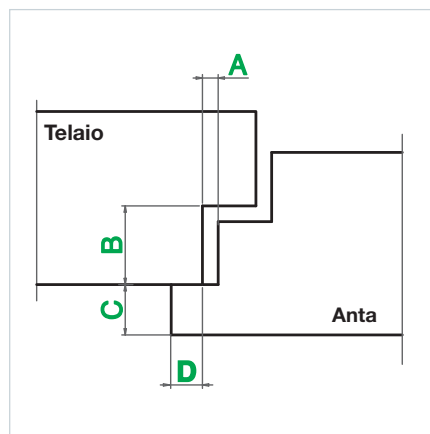
assembly system for all OTLAV hinges on right and left Door and Frame

MU 701 * - - - - -			88,831
Drill jig complete with 3 block templates for Door and Frame			
MU 7A1- * - - - -			66,106
Drill jig complete with 2 block templates for Door			
MU 7T1 - * - - - -			41,317
Drill jig complete with 1 block template for Frame			
MU 800 250 G0 02			136,157
Millimetric rod with reversible stop, without drill jig, packaged in a tube			
MU 801 * - - - - -	Universal rod for Door and Frame , complete with: millimetric rod with reversible stop drill jigs with 3 block templates and any necessary shims, packaged in a tube.		433,824
MU 8A1 - * - - - -	Universal rod for Door , complete with: Millimetric rod with reversible stop, 3 drill jigs with 2 block templates and any necessary shims, packaged in a tube.		268,558
MU 8T1 - * - - - -	Universal rod for Frame complete with: millimetric rod with reversible stop, 3 drill jig with 1 block template and any necessary shims, packaged in a tube.		216,912
MT 70 * - - - - -			25,000
Block template (specific for drilling the holes for each hinge)			
PP 160 020 ZN 04			8,640
Kit 4 2 mm regulation shims; 2 door side 2 frame side.			

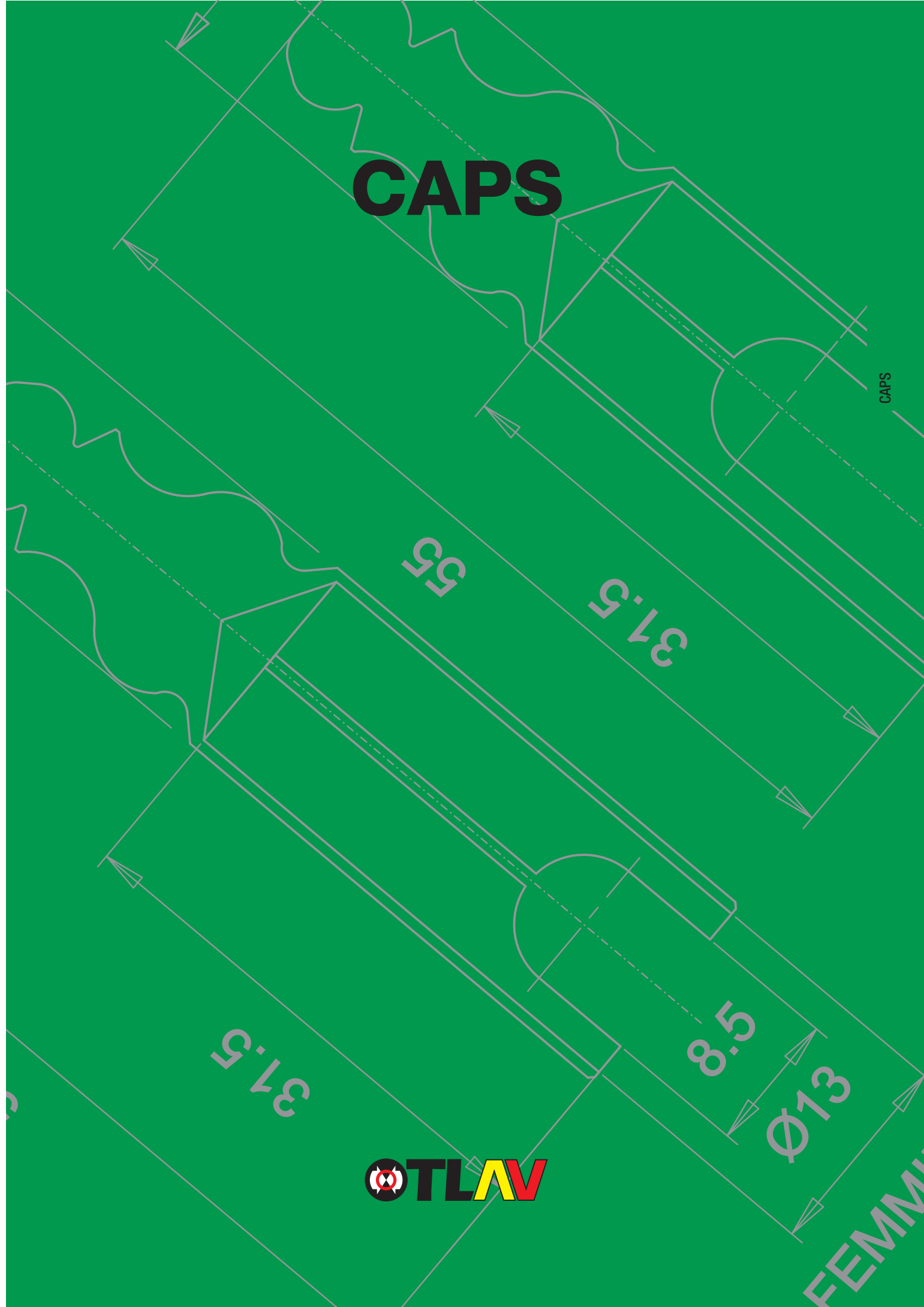


* The missing characters will be inserted by the OTLAV **technical office staff**, because every rod is personalized according to the customer's design. It is therefore **essential** to supply the dimensions, in mm, of the dimensions at the points: A - B - C - D - F - E - H.

- A** : Light between frame and door.
- B** : First interior frame rabbet.
- C** : Overlapping shim between door and frame.
- D** : Overlapping between door and frame.
- E** : Drilling angle for female pin.
- F** : Axis position male hinge referred to rabbet.
- H** : Axis position female hinge referred to door surface.



CAPS

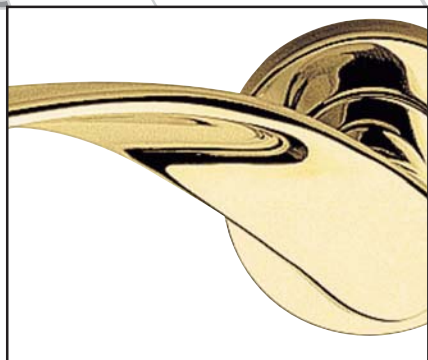


CAPS



OTLAV® proposes a complete range of caps in PVC, brass and aluminium with an innovative design which can be combined with handles and furniture accessories in every style.

With the caps line the possible choices are numerous and can be made on a form, finishing and material base completely finalized to the wished style.

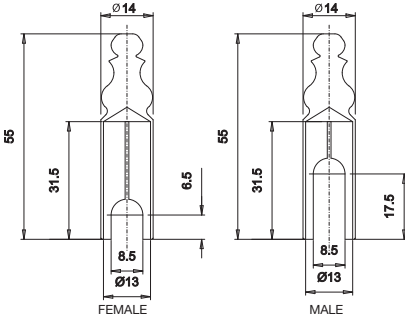


809 Ø14 Brass


Polished varnished

GC 809 140 L1 08	gr 19,60	4x60=240	2,210
Female brass cap for P09/P39 plastified	Polished varnished	Box x pcs.Each	

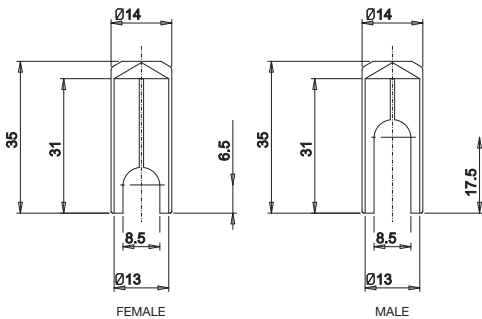
GC 809 140 L1 10	gr 16,70	4x60=240	2,233
Male brass cap for P09/P39 plastified	Polished varnished	Box x pcs.Each	


811 Ø14 Brass


Polished varnished

GC 811 140 L1 06	gr 8,43	4x120=480	2,233
Female brass cap for P09/P39 plastified	Polished varnished	Box x pcs.Each	

GC 811 140 L1 08	gr 8,93	4x120=480	2,363
Male brass cap for P09/P39 plastified	Polished varnished	Box x pcs.Each	


815 Ø14,5 Nylon


Y8

Y3

GC 815 145 Y2 02	gr 0,95	1x1000=1000	0,275
Cap for 030/055 Ø13	Black Nylon	Box x pcs.Each	

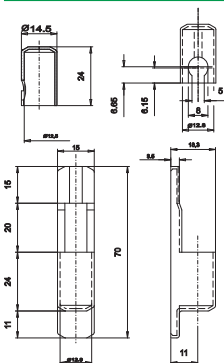
GC 815 145 Y3 05	gr 0,95	1x1000=1000	0,113
Cap for 030/055 Ø13	White Nylon	Box x pcs.Each	

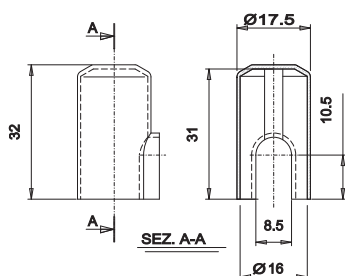
GC 815 145 Y3 06	gr 2,00	1x500=500	0,230
Cap for male P09 Ø13 Zinc plated	White Nylon	Box x pcs.Each	

GC 815 145 Y8 05	gr 0,95	1x1000=1000	0,113
Cap for 030/055 Ø13	Dark Brown Nylon	Box x pcs.Each	

GC 815 145 Y8 06	gr 2,00	1x500=500	0,310
Cap for male P09 Ø13 Zinc plated	Dark Brown Nylon	Box x pcs.Each	

GC 815 145 YC 04	gr 0,95	1x1000=1000	0,578
Cap for 030/055 Ø13	Matt Nickel Plated Nylon	Box x pcs.Each	

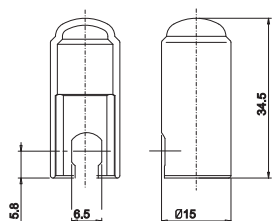


815 Ø17,5


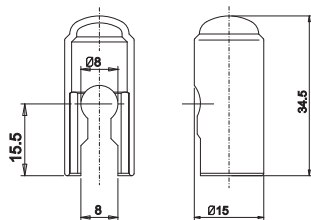
GC 815 175 Y3 01 Cap for 030/055/057 Ø16	gr 2,12	White Nylon	4x180=720 Box x pcs.Each	0,210
GC 815 175 YA 01 Cap for 030/055/057 Ø16	gr 2,12	Gold Nylon	4x180=720 Box x pcs.Each	1,313
GC 815 175 YC 01 Cap for 030/055/057 Ø16	gr 2,12	Matt Nickel Plated Nylon	4x180=720 Box x pcs.Each	1,183
GC 815 175 YD 01 Cap for 030/055/057 Ø16	gr 2,12	Brown Nylon	4x180=720 Box x pcs.Each	0,210

818 Ø15


White Nylon



FEMALE



MALE

GC 818 150 Y3 01 Male cap for P09 plastified	gr 1,80	White Nylon	1x1000=1000 Box x pcs.Each	0,058
GC 818 150 Y3 02 Female cap for P09 plastified	gr 1,89	White Nylon	1x1000=1000 Box x pcs.Each	0,058
GC 818 150 Y6 02 Male cap for P09 plastified	gr 1,80	White Nylon (RAL 9016)	1x1000=1000 Box x pcs.Each	0,058
GC 818 150 Y6 04 Female cap for P09 plastified	gr 1,89	White Nylon (RAL 9016)	1x1000=1000 Box x pcs.Each	0,063
GC 818 150 Y8 02 Male cap for P09 plastified	gr 1,75	Dark Brown Nylon	1x1000=1000 Box x pcs.Each	on demand
GC 818 150 Y8 04 Female cap for P09 plastified	gr 1,81	Dark Brown Nylon	1x1000=1000 Box x pcs.Each	on demand
GC 818 150 YE 02 Male cap for P09 plastified	gr 1,80	Beige Nylon (RAL 1013)	1x1000=1000 Box x pcs.Each	0,058
GC 818 150 YE 04 Female cap for P09 plastified	gr 1,89	Beige Nylon (RAL 1013)	1x1000=1000 Box x pcs.Each	0,058
GC 818 150 YG 02 Male cap for P09 plastified	gr 1,80	Grey Nylon (RAL 7035)	1x1000=1000 Box x pcs.Each	0,058
GC 818 150 YG 04 Female cap for P09 plastified	gr 1,89	Grey Nylon (RAL 7035)	1x1000=1000 Box x pcs.Each	0,058
GC 818 150 YU 02 Male cap for P09 plastified	gr 1,80	Clay Nylon (RAL 8003)	1x1000=1000 Box x pcs.Each	0,075
GC 818 150 YU 04 Female cap for P09 plastified	gr 1,89	Clay Nylon (RAL 8003)	1x1000=1000 Box x pcs.Each	0,075

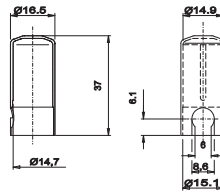
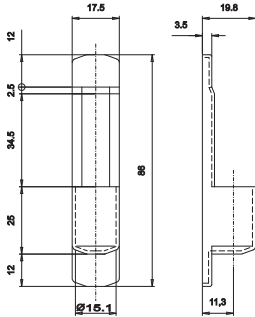
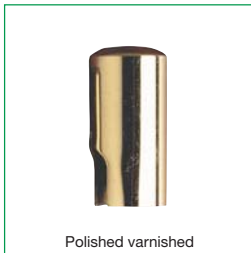
820 Ø16 Nylon


GC 820 160 Y3 07	gr 1,63	1x700=700	0,158
Female brass cap for P50 Ø15 Zinc plated	White Nylon	Box x pcs.Each	

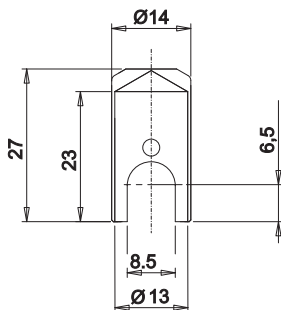
GC 820 160 Y3 08	gr 2,29	1x350=350	0,275
Male brass cap for P50 Ø15 Zinc plated	White Nylon	Box x pcs.Each	

GC 820 160 Y8 07	gr 1,63	1x700=700	0,158
Female brass cap for P50 Ø15 Zinc plated	Dark Brown Nylon	Box x pcs.Each	

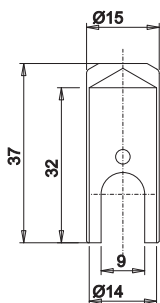
GC 820 160 Y8 08	gr 2,29	1x350=350	0,275
Male brass cap for P50 Ø15 Zinc plated	Dark Brown Nylon	Box x pcs.Each	

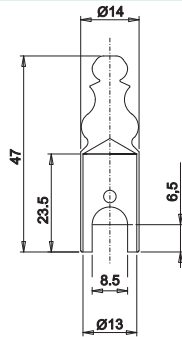

825 Ø14 Brass


GC 825 140 L1 10	gr 8,60	4x120=480	2,553
Brass cap for 030/055/057 Ø13	Polished varnished	Box x pcs.Each	


825 Ø15


GC 825 150 L1 10	gr 11,37	4x90=360	2,003
Brass cap for 030/055/057 Ø14	Polished varnished	Box x pcs.Each	



826 Ø14 Brass


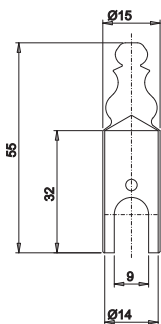
GC 826 140 L1 10
Brass cap for 030/055/057 Ø13

gr 16,53

Polished varnished

4x60=240
Box x pcs.Each

2,625

826 Ø15 Brass


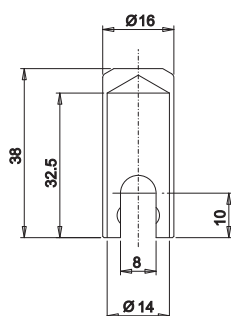
GC 826 150 L1 10
Brass cap for 030/055/057 Ø14

gr 20,04

Polished varnished

4x45=180
Box x pcs.Each

2,148

836 Ø16 Nylon


GC 836 160 Y2 02
Nylon cap for 055/057 Ø14

gr 1,56

Black Nylon

4x200=800
Box x pcs.Each

0,163

GC 836 160 Y3 04
Nylon cap for 055/057 Ø14

gr 1,56

White Nylon

4x200=800
Box x pcs.Each

0,163

GC 836 160 YD 03
Nylon cap for 055/057 Ø14

gr 1,56

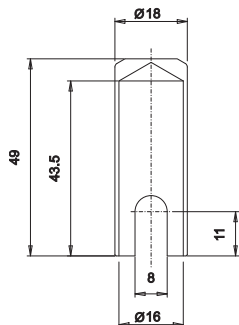
Brown Nylon

4x200=800
Box x pcs.Each

0,163

836 Ø18 Brass

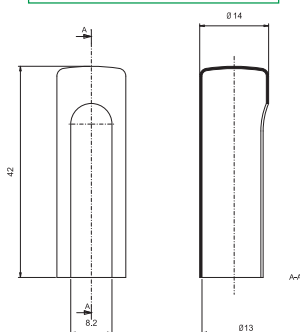

GC 836 180 L1 03	gr 24,61	4x40=160	on demand
Brass cap for 055/057 Ø16	Polished varnished	Box x pcs.Each	


838 Ø14 Aluminium (for EXACTA Ø13)


GC 838 140 JI 02	gr 1,80	4x200=800	0,683
Aluminium cap for 495 Ø13	Silver aluminium	Box x pcs.Each	

GC 838 140 JO 02	gr 1,80	4x200=800	0,743
Aluminium cap for 495 Ø13	Gold aluminium	Box x pcs.Each	

GC 838 140 JT 02	gr 2,00	4x200=800	0,820
Aluminium cap for 495 Ø13	Satinized nickel pl. Alum.	Box x pcs.Each	



NEW

838 Ø15 Aluminium (for EXACTA Ø14)

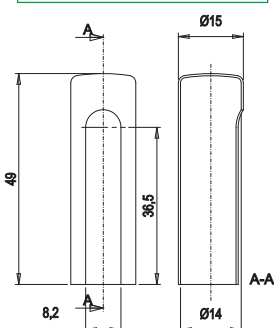

GC 838 150 J7 02	gr 2,68	4x170=680	0,920
Aluminium cap for 472/485/491/495 Ø14	Satinized silver alum.	Box x pcs.Each	

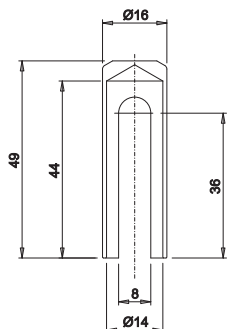
GC 838 150 JI 02	gr 2,68	4x170=680	on demand
Aluminium cap for 495 Ø14	Silver aluminium	Box x pcs.Each	

GC 838 150 JO 04	gr 2,68	4x170=680	0,880
Aluminium cap for 472/485/491/495 Ø14	Gold aluminium	Box x pcs.Each	

GC 838 150 JT 02	gr 2,00	4x170=680	on demand
Aluminium cap for 472/485/491/495 Ø14	Satinized nickel pl. Alum.	Box x pcs.Each	

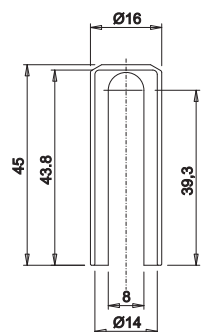
GC 838 150 JZ 02	gr 2,68	4x170=680	1,445
Aluminium cap for 472/485/491/495 Ø14	Bronze aluminium	Box x pcs.Each	



838 Ø16 Brass (for EXACTA Ø14)


GC 838 160 B0 03	gr 20,09		4x130=520	2,013
Brass cap for 472/485/491/495 Ø14		Bronze plated	Box x pcs.Each	

GC 838 160 L1 03	gr 20,05		4x40=160	2,523
Brass cap for 472/485/491/495 Ø14		Polished varnished	Box x pcs.Each	

838 Ø16 Nylon (for EXACTA Ø14)


GC 838 160 Y2 01	gr 2,011		4x180=720	0,238
Brass cap for 472/485/491/495 Ø14		Black Nylon	Box x pcs.Each	

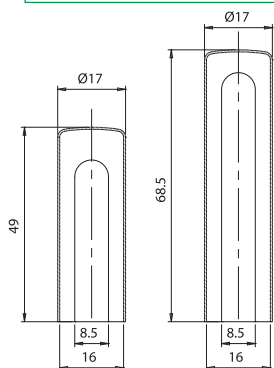
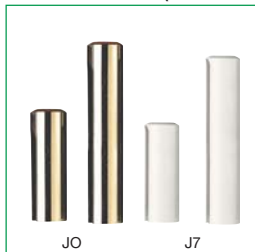
GC 838 160 Y3 01	gr 2,011		4x180=720	0,238
Brass cap for 472/485/491/495 Ø14		White Nylon	Box x pcs.Each	

GC 838 160 YB 01	gr 2,015		4x130=520	1,050
Brass cap for 472/485/491/495 Ø14		Chrome Nylon	Box x pcs.Each	

GC 838 160 YC 01	gr 2,011		4x180=720	1,050
Brass cap for 472/485/491/495 Ø14		Matt Nickel Plated Nylon	Box x pcs.Each	

GC 838 160 YD 01	gr 2,011		4x180=720	0,238
Brass cap for 472/485/491/495 Ø14		Brown Nylon	Box x pcs.Each	

GC 838 160 YS 03	gr 2,015		4x130=520	0,920
Brass cap for 472/485/491/495 Ø14		Matt Chrome Plated Nylon	Box x pcs.Each	

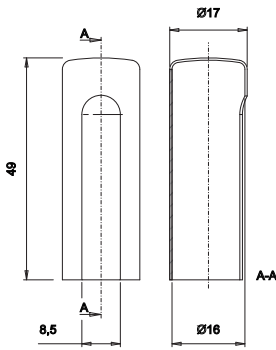
838 Ø17 Aluminium (for URSUS Ø16)


GC 838 170 J7 06	gr 4,75		8x30=240	on demand
Male cap for 495 Ø16 Ursus		Satinized silver alum.	Box x pcs.Each	

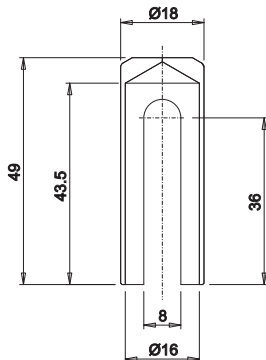
GC 838 170 J7 02	gr 3,32		4x100=400	1,103
Aluminium cap for Exacta and Bixacta Ø16		Satinized silver aluminium	Box x pcs.Each	

GC 838 170 JO 06	gr 4,75		8x30=240	on demand
Male cap for 495 Ø16 Ursus		Gold aluminium	Box x pcs.Each	

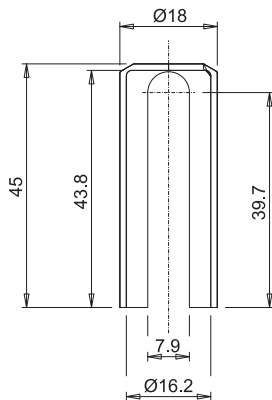
GC 838 170 JO 02	gr 3,32		4x100=400	1,050
Aluminium cap for Exacta and Bixacta Ø16		Gold aluminium	Box x pcs.Each	

838 Ø17 Aluminium (for EXACTA, NORDEX, BIXACTA Ø16)


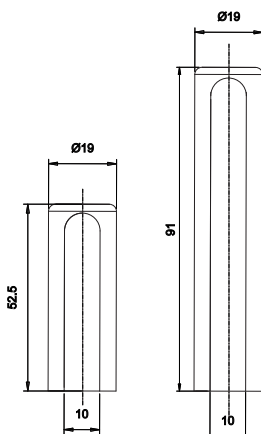
GC 838 170 J7 02	gr 3,32	4x100=400	1,103
Aluminium cap for Exacta, Nordex and Bixacta Ø16	Satinized silver aluminium	Box x pcs.Each	
GC 838 170 JO 02	gr 3,32	4x100=400	1,050
Aluminium cap for Exacta, Nordex and Bixacta Ø16	Gold aluminium	Box x pcs.Each	
GC 838 170 JT 02	gr 3,32	4x100=400	1,183
Aluminium cap for Exacta, Nordex and Bixacta Ø16	Satinized nickel pl. Alum.	Box x pcs.Each	
GC 838 170 JZ 02	gr 3,32	4x100=400	1,445
Aluminium cap for Exacta, Nordex and Bixacta Ø16	Bronze aluminium	Box x pcs.Each	
GC 838 170 P1 02	gr 3,32	4x40=160	1,708
Aluminium cap for Exacta, Nordex and Bixacta Ø16	Ivory plastified (RAL 1015)	Box x pcs.Each	
GC 838 170 P9 02	gr 3,32	4x40=160	1,708
Aluminium cap for Exacta, Nordex and Bixacta Ø16	Grey plastified (RAL 7035)	Box x pcs.Each	
GC 838 170 PI 02	gr 3,32	4x40=160	1,603
Aluminium cap for Exacta, Nordex and Bixacta Ø16	White plastified (RAL 9016)	Box x pcs.Each	
GC 838 170 PU 02	gr 3,32	4x40=160	1,708
Aluminium cap for Exacta, Nordex and Bixacta Ø16	Clay brown plast. (RAL 8003)	Box x pcs.Each	

838 Ø18 Brass (for EXACTA, NORDEX, BIXACTA Ø16)


GC 838 180 B0 04	gr 22,62	4x100=400	1,838
Brass cap for Exacta, Nordex and Bixacta Ø16	Bronze plated	Box x pcs.Each	
GC 838 180 L1 04	gr 23,80	4x40=160	2,625
Brass cap for Exacta, Nordex and Bixacta Ø16	Polished varnished	Box x pcs.Each	
GC 838 180 O0 03	gr 22,62	4x100=400	3,150
Brass cap for Exacta, Nordex and Bixacta Ø16	Brass plated	Box x pcs.Each	
GC 838 180 PF 02	gr 22,62	4x100=400	2,910
Brass cap for Exacta, Nordex and Bixacta Ø16	Antique gold plated	Box x pcs.Each	

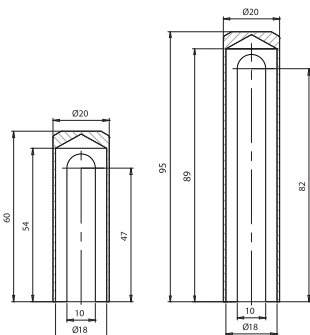
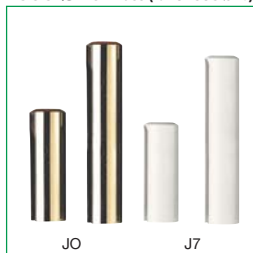
838 Ø18 Nylon (for EXACTA, NORDEX, BIXACTA Ø16)


GC 838 180 Y2 05	gr 2,41		4x150=600	0,198
Cap for Exacta, Nordex and Bixacta Ø16		Black Nylon	Box x pcs.Each	
GC 838 180 Y3 03	gr 2,41		4x150=600	0,198
Cap for Exacta, Nordex and Bixacta Ø16		White Nylon	Box x pcs.Each	
GC 838 180 Y5 01	gr 2,41		4x150=600	0,198
Cap for Exacta, Nordex and Bixacta Ø16		Blue White Nylon	Box x pcs.Each	
GC 838 180 Y8 04	gr 2,41		4x150=600	0,198
Cap for Exacta, Nordex and Bixacta Ø16		Dark Brown Nylon	Box x pcs.Each	
GC 838 180 YB 01	gr 2,41		4x150=600	0,710
Cap for Exacta, Nordex and Bixacta Ø16		Chrome Nylon	Box x pcs.Each	
GC 838 180 YC 01	gr 4,30		4x40=160	0,920
Cap for Exacta, Nordex and Bixacta Ø16		Matt Nickel Plated Nylon	Box x pcs.Each	
GC 838 180 YD 01	gr 2,41		4x150=600	0,185
Cap for Exacta, Nordex and Bixacta Ø16		Brown Nylon	Box x pcs.Each	
GC 838 180 YS 03	gr 2,41		4x150=600	0,945
Cap for Exacta, Nordex and Bixacta Ø16		Matt Chrome Plated Nylon	Box x pcs.Each	

838 Ø19 Aluminium (for URSUS Ø18)


GC 838 190 J7 03	gr 4,55		8x30=240	1,398
Male cap for 495 Ø18 Ursus		Satinized silver alum.	Box x pcs.Each	
GC 838 190 J7 04	gr 3,18		8x30=240	1,180
Female cap for 495 Ø18 Ursus		Satinized silver alum.	Box x pcs.Each	
GC 838 190 JO 03	gr 4,55		8x30=240	1,398
Male cap for 495 Ø18 Ursus		Gold aluminium	Box x pcs.Each	
GC 838 190 JO 04	gr 3,18		8x30=240	1,180
Female cap for 495 Ø18 Ursus		Gold aluminium	Box x pcs.Each	

NEW

838 Ø20 Brass (for URSUS Ø18)


GC 838 200 L1 02	gr 25,22	8x30=240	5,513
Female cap for 495 Ø18 Ursus		Polished varnished Box x pcs.Each	

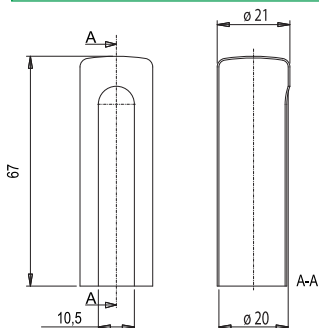
GC 838 200 L1 04	gr 45,77	8x15=120	6,958
Male cap for 495 Ø18 Ursus		Polished varnished Box x pcs.Each	

GC 838 200 P3 02	gr 25,22	8x30=240	4,333
Female cap for 495 Ø18 Ursus		White plastified (RAL 9010) Box x pcs.Each	

GC 838 200 P3 04	gr 45,77	8x15=120	5,645
Male cap for 495 Ø18 Ursus		White plastified (RAL 9010) Box x pcs.Each	

GC 838 200 T1 02	gr 25,22	8x30=240	on demand
Female cap for 495 Ø18 Ursus		Satinized chrome plated Box x pcs.Each	

GC 838 200 T1 04	gr 45,77	8x15=120	on demand
Male cap for 495 Ø18 Ursus		Satinized chrome plated Box x pcs.Each	

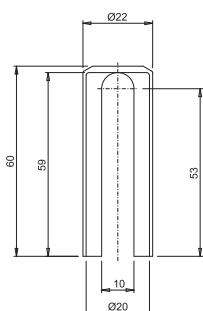
838 Ø21 (for EXACTA Ø20)


GC 838 210 J7 02	gr 5,44	4x50=200	1,575
Aluminium cap for 495 Ø20		Satinized silver alum. Box x pcs.Each	

GC 838 210 JI 02	gr 5,44	4x50=200	1,575
Aluminium cap for 495 Ø20		Silver aluminium Box x pcs.Each	

GC 838 210 JO 02	gr 5,44	4x50=200	1,575
Aluminium cap for 495 Ø20		Gold aluminium Box x pcs.Each	

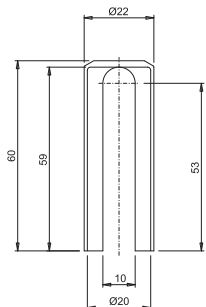
GC 838 210 JZ 02	gr 5,44	4x50=200	1,838
Aluminium cap for 495 Ø20		Bronze aluminium Box x pcs.Each	

838 Ø22 Brass (for EXACTA Ø20)


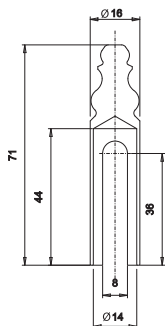
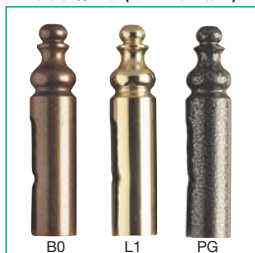
GC 838 220 B0 04	gr 39,64	4x50=200	5,645
Brass cap for 495 Ø20 Exacta		Bronze plated Box x pcs.Each	

GC 838 220 H3 03	gr 39,64	4x50=200	4,988
Brass cap for 495 Ø20 Exacta		Black engraved zinc plated Box x pcs.Each	

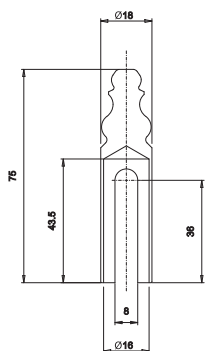
GC 838 220 L1 04	gr 38,10	4x20=80	7,088
Brass cap for 495 Ø20 Exacta		Polished varnished Box x pcs.Each	

838 Ø22 Nylon (for EXACTA Ø20)


GC 838 220 Y2 01 Cap for 495 Ø20 Exacta	gr 3,64	Black Nylon	4x50=200 Box x pcs.Each	0,368
GC 838 220 Y3 01 Cap for 495 Ø20 Exacta	gr 3,64	White Nylon	4x50=200 Box x pcs.Each	0,368
GC 838 220 YC 01 Cap for 495 Ø20 Exacta	gr 7,6	Matt Nickel Plated Nylon	4x20=80 Box x pcs.Each	2,363
GC 838 220 YD 01 Cap for 495 Ø20 Exacta	gr 3,64	Brown Nylon	4x50=200 Box x pcs.Each	0,368
GC 838 220 YS 03 Cap for 495 Ø20 Exacta	gr 3,64	Matt Chrome Plated Nylon	4x50=200 Box x pcs.Each	1,575

839 Ø16 (for EXACTA Ø14)


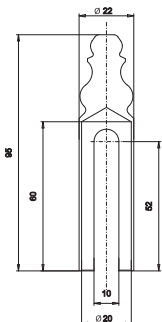
GC 839 160 B0 03 Brass cap for 472/485/491/495 Ø14	gr 32,8	Bronze plated	4x90=360 Box x pcs.Each	2,625
GC 839 160 G0 03 Brass cap for 472/485/491/495 Ø14	gr 35,20	Natural	4x90=360 Box x pcs.Each	2,888
GC 839 160 L1 03 Brass cap for 472/485/491/495 Ø14	gr 32,55	Polished varnished	4x40=160 Box x pcs.Each	3,150
GC 839 160 PG 02 Brass cap for 472/485/491/495 Ø14	gr 32,36	Old silver	4x90=360 Box x pcs.Each	3,020

839 Ø18 (for EXACTA, BIXACTA Ø16)


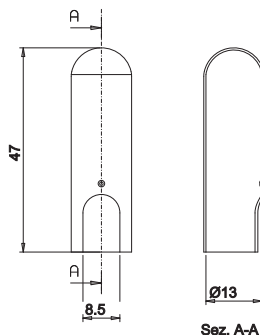
GC 839 180 B0 03 Brass cap for Exacta, Nordex and Bixacta Ø16	gr 40,43	Bronze plated	4x75=300 Box x pcs.Each	2,758
GC 839 180 G0 02 Brass cap for Exacta, Nordex and Bixacta Ø16	gr 48,20	Natural	4x75=300 Box x pcs.Each	4,070
GC 839 180 H3 03 Brass cap for Exacta, Nordex and Bixacta Ø16	gr 40,43	Black engraved zinc plated	4x75=300 Box x pcs.Each	4,333
GC 839 180 L1 03 Brass cap for Exacta, Nordex and Bixacta Ø16	gr 41,05	Polished varnished	4x40=160 Box x pcs.Each	3,808
GC 839 180 PF 02 Brass cap for Exacta, Nordex and Bixacta Ø16	gr 40,43	Antique gold plated	4x75=300 Box x pcs.Each	2,625
GC 839 180 PG 02 Brass cap fo Exacta, Nordex and Bixacta Ø16	gr 40,43	Old silver	4x75=300 Box x pcs.Each	2,625

839 Ø22 (for EXACTA Ø20)

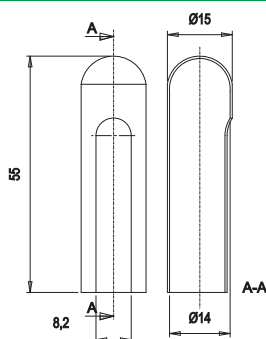

GC 839 220 B0 04 Brass cap for 495 Ø20 Exacta	gr 65,80 Bronze plated	4x40=160 Box x pcs.Each	7,875
GC 839 220 H3 03 Brass cap for 495 Ø20 Exacta	gr 65,80 Black engraved zinc plated	4x40=160 Box x pcs.Each	9,188
GC 839 220 L1 03 Brass cap for 495 Ø20 Exacta	gr 66,10 Polished varnished	4x20=80 Box x pcs.Each	8,400
GC 839 220 PF 02 Brass cap for 495 Ø20 Exacta	gr 65,80 Antique gold plated	4x40=160 Box x pcs.Each	4,463

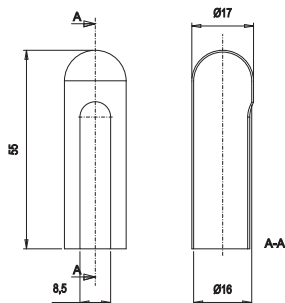

844 Ø14


GC 844 140 JA 02 Aluminium cap for Ø13	gr 2,65 Blue satinized nickel pl. Alum.	4x170=680 Box x pcs.Each	0,525
GC 844 140 JO 02 Aluminium cap for Ø13	gr 2,65 Gold aluminium	4x170=680 Box x pcs.Each	0,525

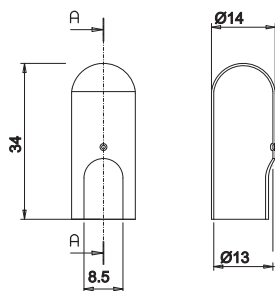

846 Ø15 (for EXACTA Ø14)


GC 846 150 J7 04 Aluminium cap for 472/485/491/495 Ø14	gr 2,95 Satinized silver alum.	4x150=600 Box x pcs.Each	1,313
GC 846 150 J1 04 Aluminium cap for 472/485/491/495 Ø14	gr 2,95 Silver aluminium	4x150=600 Box x pcs.Each	1,313
GC 846 150 JO 06 Aluminium cap for 472/485/491/495 Ø14	gr 2,95 Gold aluminium	4x150=600 Box x pcs.Each	1,313
GC 846 150 JT 03 Aluminium cap for 472/485/491/495 Ø14	gr 2,95 Satinized nickel pl. Alum.	4x150=600 Box x pcs.Each	0,920



846 Ø17 (for EXACTA, NORDEX, BIXACTA Ø16)


GC 846 170 J7 02	gr 3,42		4x100=400	1,575
Aluminium cap for Exacta, Nordex and Bixacta Ø16		Satinized silver alum.	Box x pcs.Each	
GC 846 170 JI 02	gr 3,42		4x100=400	1,313
Aluminium cap for Exacta, Nordex and Bixacta Ø16		Silver aluminium	Box x pcs.Each	
GC 846 170 JO 02	gr 3,42		4x100=400	1,575
Aluminium cap for Exacta, Nordex and Bixacta Ø16		Gold aluminium	Box x pcs.Each	
GC 846 170 JT 02	gr 3,42		4x100=400	1,313
Aluminium cap for Exacta, Nordex and Bixacta Ø16		Satinized nickel pl. Alum.	Box x pcs.Each	
GC 846 170 P0 02	gr 3,42		4x40=160	1,708
Aluminium cap for Exacta, Nordex and Bixacta Ø16		Brown plastified	Box x pcs.Each	
GC 846 170 P1 02	gr 3,42		4x40=160	1,838
Aluminium cap for Exacta, Nordex and Bixacta Ø16		Ivory plastified (RAL 1015)	Box x pcs.Each	
GC 846 170 P3 02	gr 3,42		4x40=160	1,445
Aluminium cap for Exacta, Nordex and Bixacta Ø16		White plastified (RAL 9010)	Box x pcs.Each	
GC 846 170 P9 02	gr 3,42		4x40=160	1,708
Aluminium cap for Exacta, Nordex and Bixacta Ø16		Grey plastified (RAL 7035)	Box x pcs.Each	
GC 846 170 PI 02	gr 3,42		4x40=160	1,708
Aluminium cap for Exacta, Nordex and Bixacta Ø16		White plastified (RAL 9016)	Box x pcs.Each	
GC 846 170 PU 02	gr 3,42		4x40=160	1,838
Aluminium cap for Exacta, Nordex and Bixacta Ø16		Clay brown plast. (RAL 8003)	Box x pcs.Each	

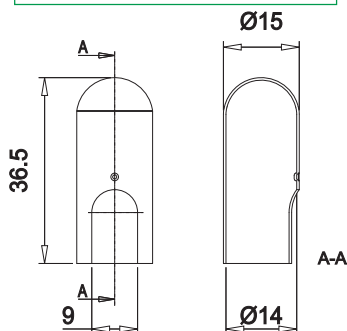
847 Ø14


Sez. A-A

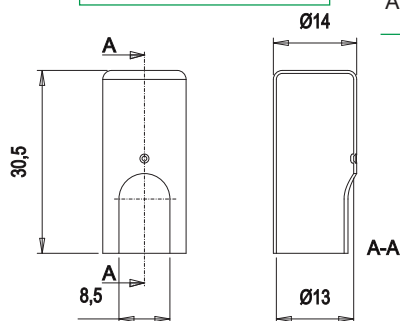
GC 847 140 J7 02	gr 1,84		4x300=1200	0,920
Aluminium cap for 030/055/057 Ø13		Satinized silver alum.	Box x pcs.Each	
GC 847 140 JA 02	gr 1,84		4x300=1200	0,723
Aluminium cap for 030/055/057 Ø13		Blue satinized nickel pl. Alum.	Box x pcs.Each	
GC 847 140 JI 02	gr 1,84		4x300=1200	0,788
Aluminium cap for 030/055/057 Ø13		Silver aluminium	Box x pcs.Each	
GC 847 140 JO 04	gr 1,84		4x300=1200	0,920
Aluminium cap for 030/055/057 Ø13		Gold aluminium	Box x pcs.Each	

847 Ø15

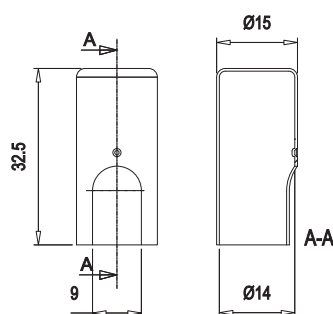

GC 847 150 J7 02 Aluminium cap for 055/057 Ø14	gr 2,16	4x250=1000 Satinized silver aluminium	1,183
GC 847 150 JA 02 Aluminium cap for 055/057 Ø14	gr 2,16	4x250=1000 Blue satinized nickel pl. Alum.	0,658
GC 847 150 JI 02 Aluminium cap for 055/057 Ø14	gr 2,16	4x250=1000 Silver aluminium	0,920
GC 847 150 JO 04 Aluminium cap for 055/057 Ø14	gr 2,16	4x250=1000 Gold aluminium	0,920


849 Ø14


GC 849 140 J7 02 Aluminium cap for 030/055/057 Ø13	gr 1,61	4x300=1200 Satinized silver alum.	0,605
GC 849 140 JI 04 Aluminium cap for 030/055/057 Ø13	gr 1,61	4x300=1200 Silver aluminium	0,788
GC 849 140 JO 04 Aluminium cap for 030/055/057 Ø13	gr 1,61	4x300=1200 Gold aluminium	0,853


849 Ø15


GC 849 150 J7 02 Aluminium cap for 055/057 Ø14	gr 2,00	4x250=1000 Satinized silver alum.	0,850
GC 849 150 JA 02 Aluminium cap for 055/057 Ø14	gr 2,00	4x250=1000 Blue satinized nickel pl. Alum.	0,643
GC 849 150 JI 02 Aluminium cap for 055/057 Ø14	gr 2,00	4x250=1000 Silver aluminium	0,850
GC 849 150 JO 02 Aluminium cap for 055/057 Ø14	gr 2,00	4x250=1000 Gold aluminium	0,850



850 Ø16

GC 850 160 L1 07 gr 21,05
Male brass cap for P50 Ø15 plastified

Polished varnished

 4x40=160
Box x pcs.Each

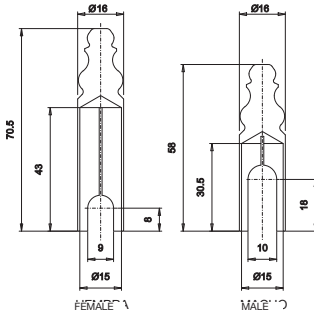
4,595

GC 850 160 L1 08 gr 27,30
Female brass cap for P50 Ø15 plastified

Polished varnished

 4x40=160
Box x pcs.Each

4,463

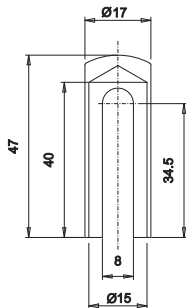

861 Ø17

GC 861 170 L1 03 gr 23,90
Brass cap for 100/101 Ø15

Polished varnished

 4x80=320
Box x pcs.Each

8,795

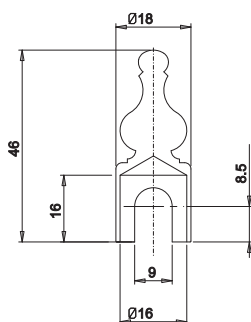

870 Ø18

GC 870 180 L1 03 gr 27,65
Brass cap for 320 Ø16 External part

Polished varnished

 4x80=320
Box x pcs.Each

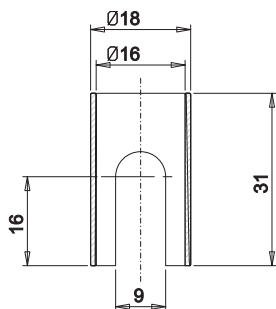
4,300



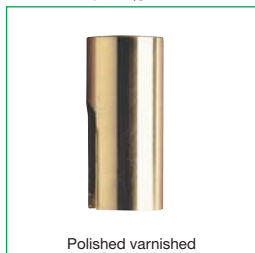
871 Ø18



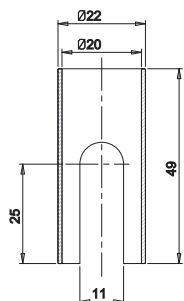
GC 871 180 L1 03	gr 11,68	4x120=480	2,625
Brass cap for 320 Ø16 central part	Polished varnished	Box x pcs.Each	



871 Ø22



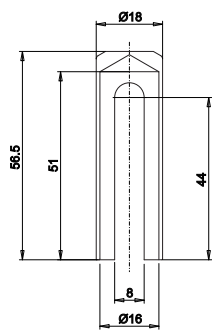
GC 871 220 L1 03	gr 71,60	4x20=80	5,645
Brass cap for 320 Ø20	Polished varnished	Box x pcs.Each	



898 Ø18



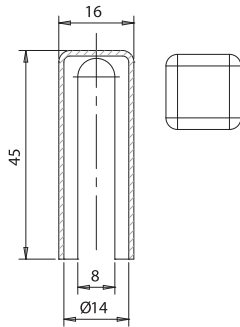
GC 898 180 L1 06	gr 23,55	4x40=160	5,500
Brass cap for 499 Ø16 / Q15 Ø16	Polished varnished	Box x pcs.Each	





GC 901 160 YA 01 Cap for 495 Ø14 Exacta	gr 2,33	Gold Nylon	4x180=720 Box x pcs.Each	on demand
--	---------	------------	-----------------------------	-----------

GC 901 160 YS 02 Cap for 495 Ø14 Exacta	gr 2,33	Matt Chrome Plated Nylon	4x180=720 Box x pcs.Each	on demand
--	---------	--------------------------	-----------------------------	-----------

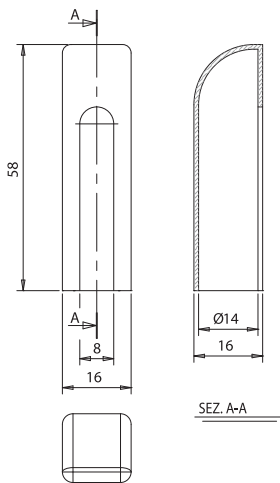


NEW



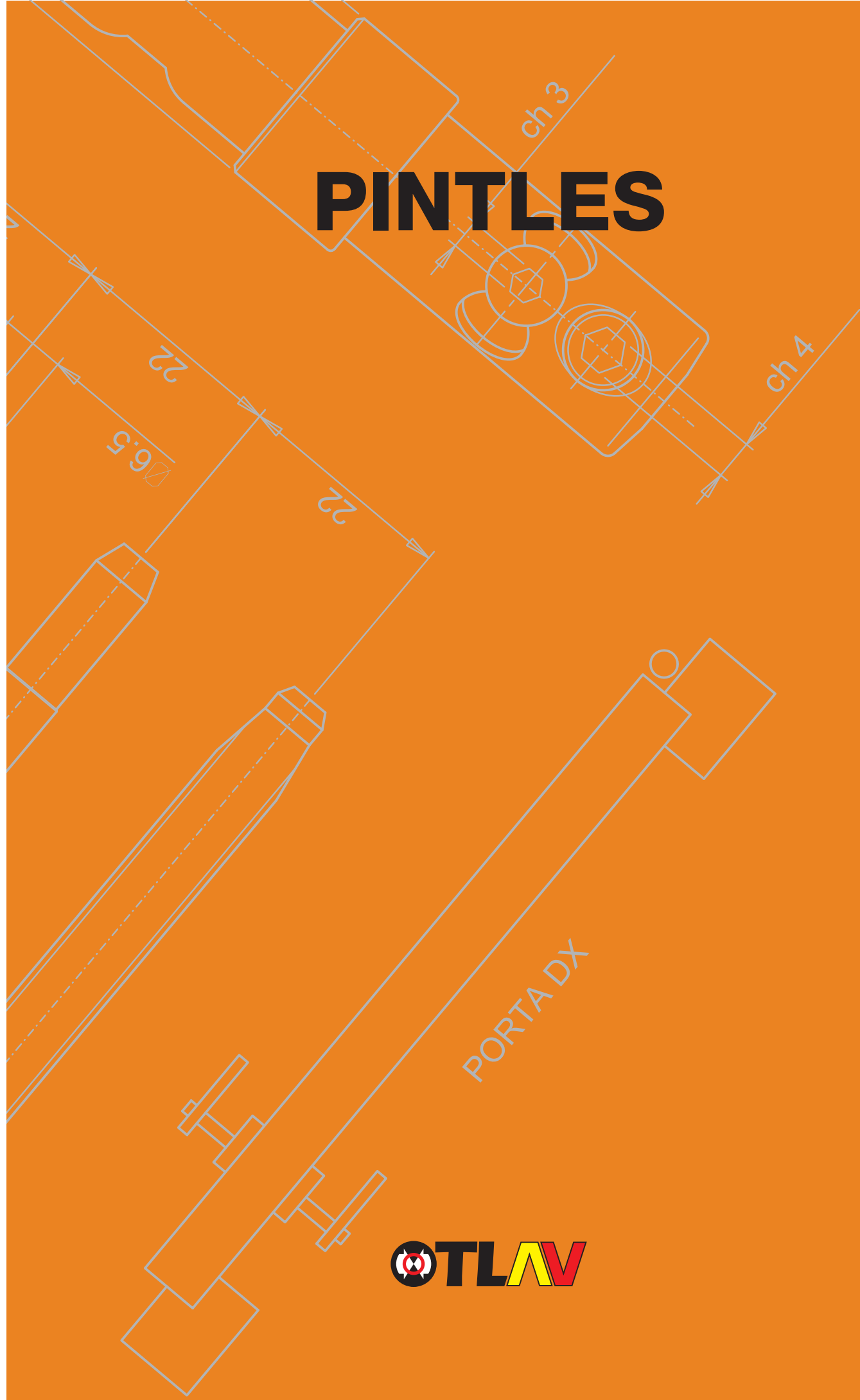
GC 902 160 YA 01 Cap for 495 Ø14 Exacta	gr 2,33	Gold Nylon	4x150=600 Box x pcs.Each	on demand
--	---------	------------	-----------------------------	-----------

GC 902 160 YS 02 Cap for 495 Ø14 Exacta	gr 2,33	Matt Chrome Plated Nylon	4x150=600 Box x pcs.Each	on demand
--	---------	--------------------------	-----------------------------	-----------



NEW

PINTLES



PINTLES



CE014 Ø14 (M10x28)

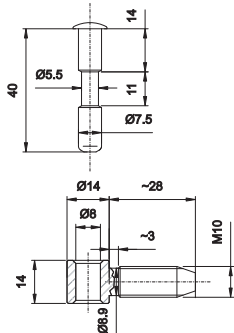
CE 014 140 H2 02
Socket

gr 20,40

4x200=800

0,303

Black varnished zinc plated Box x pcs.Each


CE014 Ø14 (M10x28 WASISTAS)

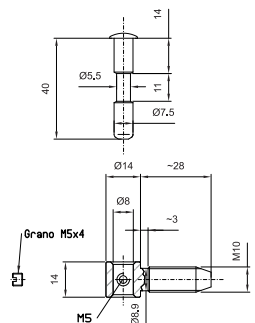
CE 014 140 H2 04

gr 19,54

4x200=800

0,788

Black varnished zinc plated Box x pcs.Each


CE014 Ø14 (M10x60)

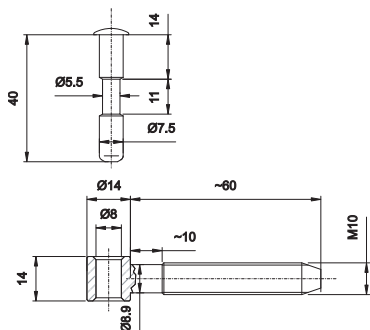
CE 014 140 H2 06

gr 39,30

4x130=520

0,448

Black varnished zinc plated Box x pcs.Each



CE014 Ø14 (M10x60 WASISTAS)
CE 014 140 H2 08

gr 38,44

4x130=520

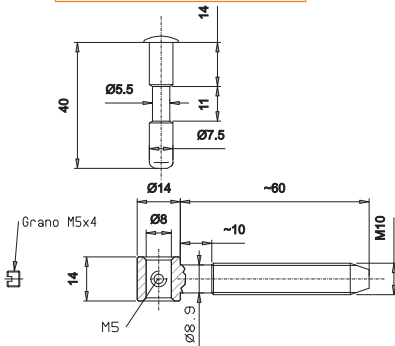
1,078

Bush wasistas

Black varnished zinc plated Box x pcs.Each



Black varnished zinc plated


FP 042
FP 040 075 H2 02

gr 12,30

8x150=1200

0,215

Pivot for CE Ø 14 (L 35 mm)

Black varnished zinc plated Box x pcs.Each



Black varnished zinc plated

FP 042 075 H2 02

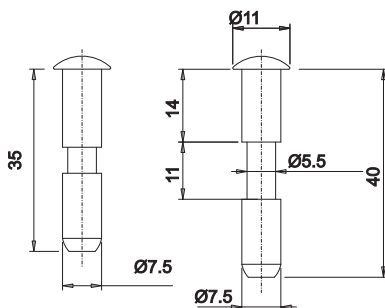
gr 13,20

8x150=1200

0,215

Pivot for CE Ø 14 (L 40 mm)

Black varnished zinc plated Box x pcs.Each


CE030 Ø16 (M10x28) WASISTAS
CE 030 160 H2 10

gr 39,69

4x125=500

0,775

Bush wasistas

Black varnished zinc plated Box x pcs.Each



Black varnished zinc plated

FP 070 100 H2 10

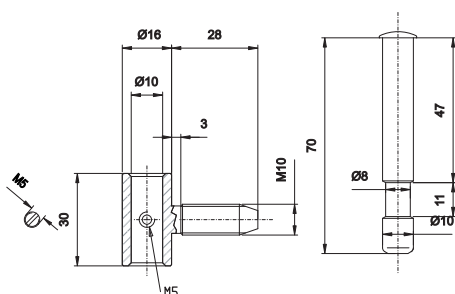
gr 40,00

4x125=500

0,395

Pivot for CE030 Ø 16

Black varnished zinc plated Box x pcs.Each

Tot. 1,170


Q11 Ø18 WALL/WOOD


Black plastified

CR Q11 180 H1 06

gr 312,80

Yellow galvanised

4x15=60

3,500

Male part + Female part (wall/wood)

Box x pcs.Each

CR Q11 180 P2 03

gr 319,33

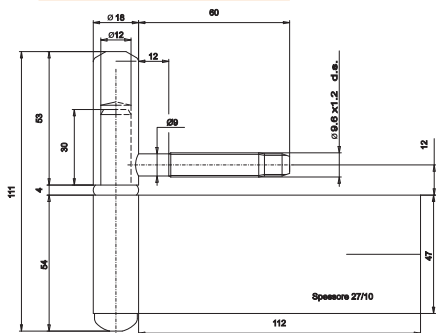
Black plastified

4x12=48

3,938

Male part + Female part (wall/wood)

Box x pcs.Each


Q15 Ø16 WOOD/WOOD


Yellow galvanised

CR Q15 160 H1 03

gr 163,07

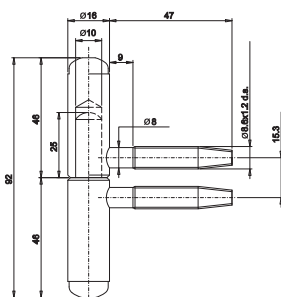
Yellow galvanised

4x30=120

2,845

Male part + Female part (wood/wood)

Box x pcs.Each


Q15 Ø18 WOOD/WOOD


Black plastified

CF Q15 180 P2 06

gr 98,067

Black plastified

4x30=120

0,875

Female part

Box x pcs.Each

CG Q15 180 P2 08

gr 150,73

Black plastified

4x30=120

1,680

Male part

Box x pcs.Each

Tot. 2,555
CR Q15 180 H1 06

gr 244,10

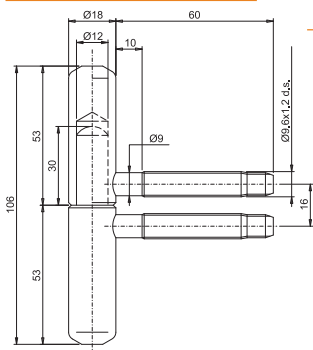
Yellow galvanised

4x20=80

2,398

Male part + Female part (wood/wood)

Box x pcs.Each

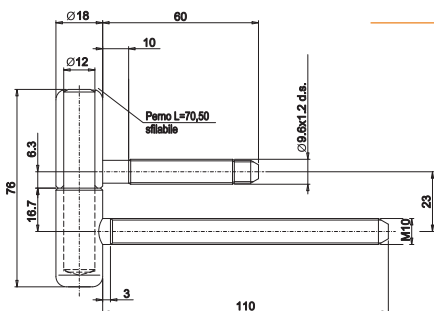


Q24 Ø18 WALL/WOOD


CF Q24 180 H2 07	gr 66,01	1x150=150	1,165
Female part		Black varnished zinc plated Box x pcs.Each	

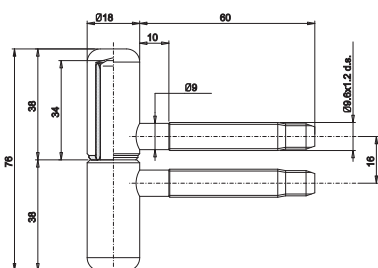
CF Q24 180 H2 08	gr 94,61	1x150=150	1,200
Female part (M10 x 110)		Black varnished zinc plated Box x pcs.Each	

FP 070 120 H2 03	gr 61,70	4x75=300	0,765
Pivot for Q24 Ø 18		Black varnished zinc plated Box x pcs.Each	Tot. 3,130

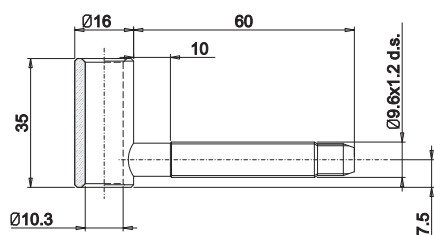

Q25 Ø18 WOOD/WOOD


CF Q25 180 H2 10	gr 74,38	1x160=160	0,950
Female part with nylon bush		Black varnished zinc plated Box x pcs.Each	

CG Q25 180 H2 08	gr 118,26	1x160=160	1,025
Male part		Black varnished zinc plated Box x pcs.Each	Tot. 1,975


Q35 Ø16 WOOD


CE Q35 160 H1 03	gr 59,45	1x300=300	on demand
Socket		Yellow galvanized Box x pcs.Each	



Q37 Ø20 WALL

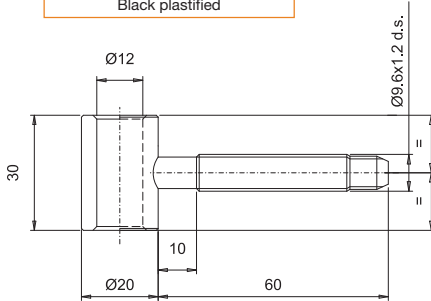
 CE Q37 200 P2 03
Socket

gr 73,50

Black plastified

 4x24=96
Box x pcs.Each

1,510

NEW

Q55 Ø20 WALL (14x40)

 CG Q55 200 H0 07
Pintle (Ø14x40)

gr 121,50

Zinc plated

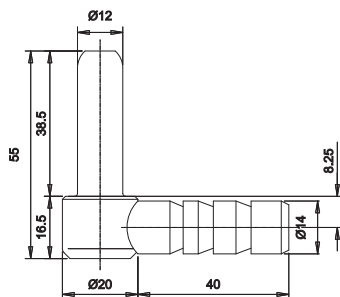
 4x40=160 on demand
Box x pcs.Each

 CG Q55 200 P2 07
Pintle (Ø14x40)

gr 121,50

Black plastified

 4x24=96 on demand
Box x pcs.Each

NEW

Q55 Ø20 WALL (14x50)

 CG Q55 200 H0 08
Pintle (Ø14x50)

gr 133,50

Zinc plated

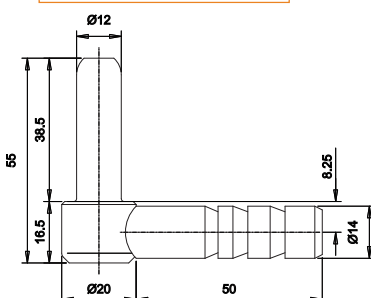
 4x24=96 on demand
Box x pcs.Each

 CG Q55 200 P2 08
Pintle (Ø14x50)

gr 133,50

Black plastified

 4x24=96 on demand
Box x pcs.Each

NEW


Q55 Ø20 WALL (14x60)

 CG Q55 200 H0 09
Pintle (Ø14x60)

gr 145,50

Zinc plated

 4x24=96
Box x pcs.Each

on demand

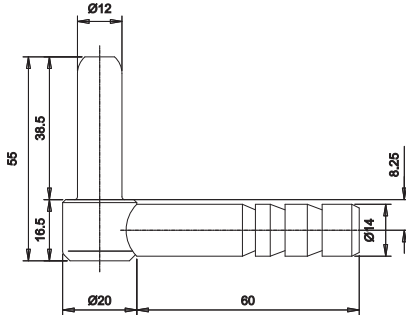
 CG Q55 200 P2 09
Pintle (Ø14x60)

gr 145,50

Black plastified

 4x24=96
Box x pcs.Each

on demand

NEW

Q55 Ø20 WALL (14x70)

 CG Q55 200 H0 10
Pintle (Ø14x70)

gr 157,50

Zinc plated

 4x20=80
Box x pcs.Each

on demand

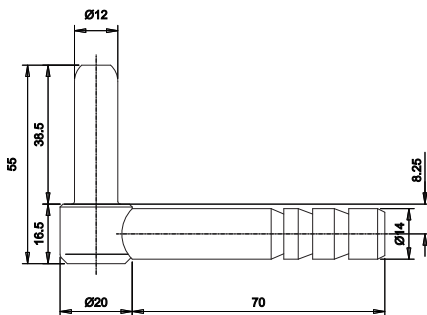
 CG Q55 200 P2 10
Pintle (Ø14x70)

gr 157,50

Black plastified

 4x20=80
Box x pcs.Each

on demand

NEW

Q55 Ø20 WALL (14x90)

 CG Q55 200 H0 11
Pintle (Ø14x90)

gr 181,50

Zinc plated

 4x20=80
Box x pcs.Each

on demand

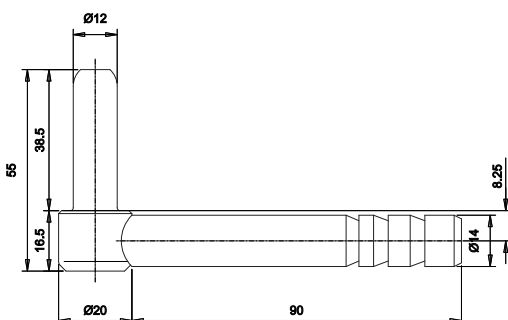
 CG Q55 200 P2 11
Pintle (Ø14x90)

gr 181,50

Black plastified

 4x20=80
Box x pcs.Each

on demand

NEW


Q55 Ø20 WALL (14x150)

CG Q55 200 H0 12
Pintle (Ø14x150)

gr 253,50

Zinc plated

 4x16=64
Box x pcs.Each

on demand

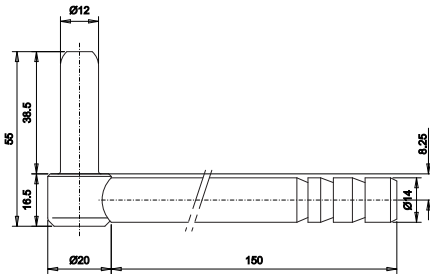
CG Q55 200 P2 12
Pintle (Ø14x150)

gr 253,50

Black plastified

 4x16=64
Box x pcs.Each

on demand

NEW

Q75 Ø20 SIKURKARDIN

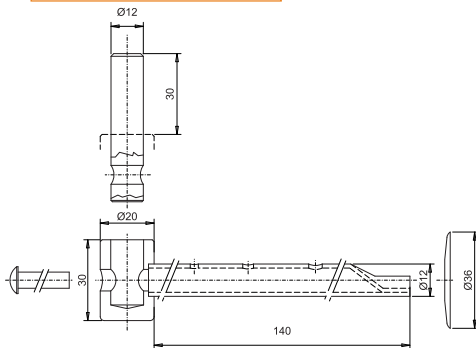
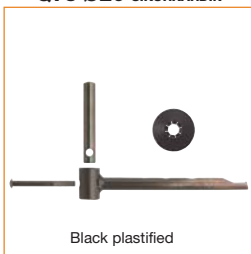
CG Q75 200 P2 02
Injection pintle (Ø12 x 140 pivot 12x30) + accessories

gr 157,40

Black plastified

 4x24=96
Box x pcs.Each

6,235

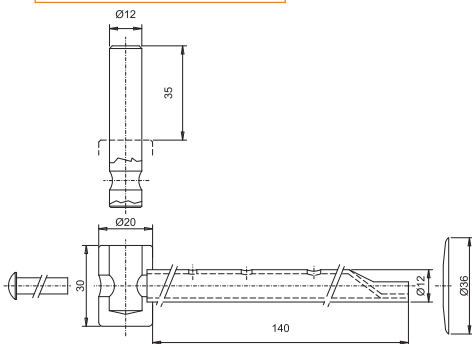

Q75 Ø20 SIKURKARDIN

CG Q75 200 P2 08
Injection pintle (Ø12 x 140 pivot 12x35) + accessories

gr 106,50

Black plastified

 4x24=96
Box x pcs.Each

6,498



SIKURKARDIN Q75



Laying times facilitated and
cut down by 30%.

Hygiene and cleanliness:

no more spatula job. No direct contact with chemical anchoring elements, dangerous for health. It is revolutionary from the point of view of cleanliness, of accuracy and above all of safety. In fact, it cuts down to zero any contact with bi-component resins which are usually employed in assembling hinges.

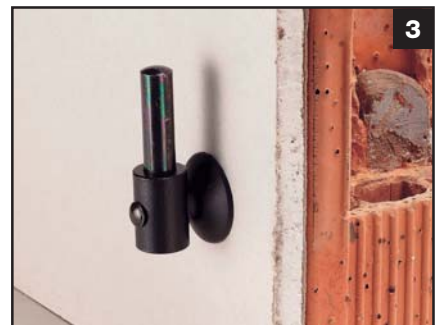
The operation is absolutely accurate, since it allows you to introduce the right dose of anchoring element, which does not therefore overflow from the insertion hole. With a few simple operations, you can obtain perfect fixing without any fastening resins coming out.



1. SikurKardin guarantees that you save time and money, thanks to perfect dosing of the chemical anchoring element. The health of the operator is safeguarded, since he does not come into direct contact with the chemical anchoring element



2/3. It is safe because the pin, once fitted in, is locked in place by a through plug which incorporates it into the body of the hinge. Therefore, no more shutters which fall after a



few years, with heavy consequences in terms of civil and criminal liability for the installers. It is also anti-intrusion, since the pin cannot be pulled off, nor can the shutters be pulled off when they are shut.

Q75 Ø20 SIKURKARDIN

CG Q75 200 P2 06

gr 172,90

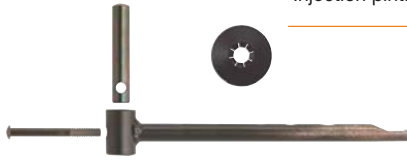
1x84=84

on demand

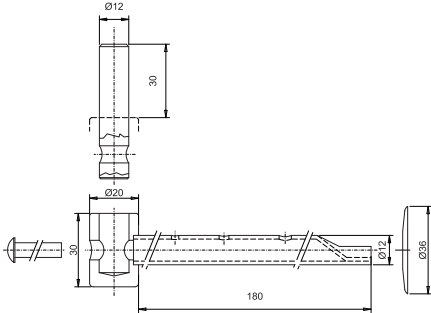
Injection pintle (Ø12 x 180 pivot 12x30) + accessories

Black plastified

Box x pcs.Each



Black plastified



Q75 Ø20 SIKURKARDIN

CG Q75 200 P2 10

gr 177,00

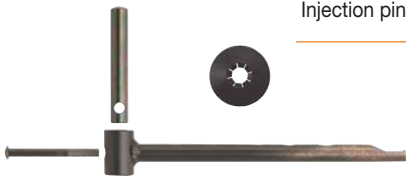
1x84=84

on demand

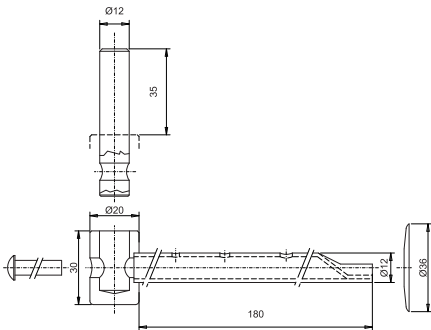
Injection pintle (Ø12 x 180 pivot 12x35) + accessories

Black plastified

Box x pcs.Each



Black plastified



NEW

Q75

CG Q75 200 P2 14

gr 300

1x60=60

14,465

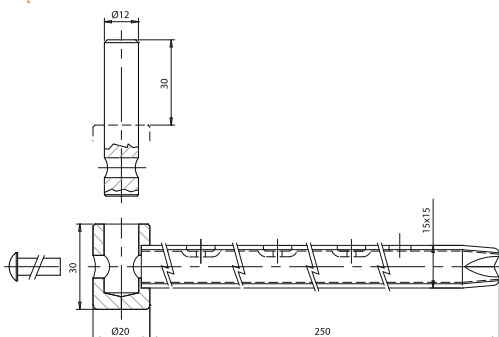
Injection pintle (15x15x250 pivot 12x30) + accessories

Black plastified

Box x pcs.Each



Black plastified



NEW

Q75
CG Q75 200 P2 12

gr 340

1x60=60

15,378

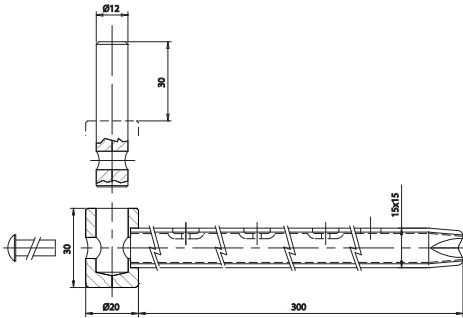
Injection pintle (15x15x300 pivot 12x30) + accessories

Black plastified

Box x pcs.Each



Black plastified

NEW

Q80 Ø20 WALL (M10x90 pivot 10x30)
CG Q80 200 P2 33

gr 131,30

4x24=96

1,874

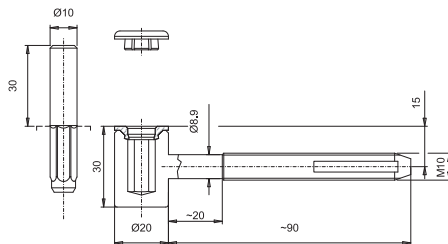
Pintle (M10x90 pivot 10x30)

Black plastified

Box x pcs.Each



Black plastified

NEW

Q80 Ø20 WALL (M10x90 pivot 10x35)
CG Q80 200 P2 43

gr 134,40

4x24=96

1,888

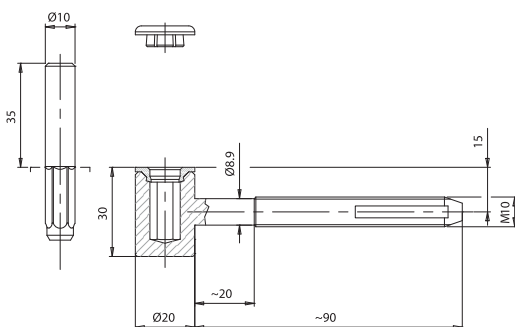
Pintle (M10x90 pivot 10x35)

Black plastified

Box x pcs.Each



Black plastified



Q80 Ø20 WALL (M10x90 pivot 10x40)
CG Q80 200 P2 53
Pintle (M10x90 pivot 10x40)

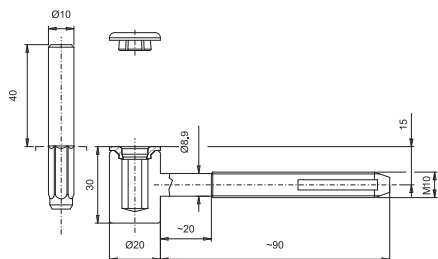
gr 135,30

Black plastified

4x24=96

Box x pcs.Each

1,904


NEW

Q80 Ø20 WALL (M10x90 pivot 12x30)
CG Q80 200 P2 23
Pintle (M10x90 pivot 12x30)

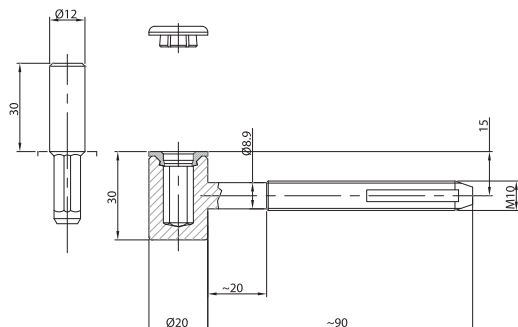
gr 99,00

Black plastified

4x24=96

Box x pcs.Each

1,972


Q80 Ø20 WALL (M10x90 pivot 12x35)
CG Q80 200 P2 09
Pintle (M10x90 pivot 12x35)

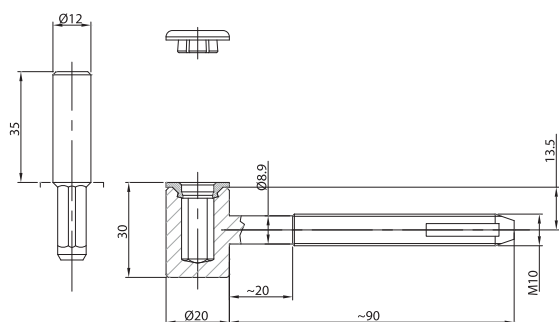
gr 99,00

Black plastified

4x24=96

Box x pcs.Each

1,972



Q80 Ø20 WALL (M10x90 pivot 12x40)
CG Q80 200 P2 63
Pintle (M10x90 pivot 12x40)

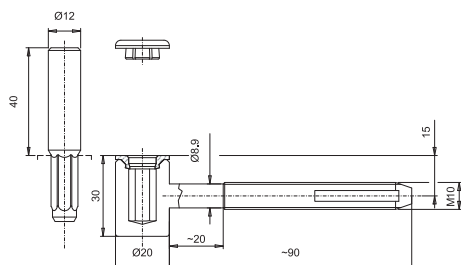
gr 141,90

Black plastified

4x24=96

Box x pcs.Each

2,069


NEW

Q80 Ø20 WALL (M12x90 pivot 10x30)
CG Q80 200 P2 37
Pintle (M12x90 pivot 10x30)

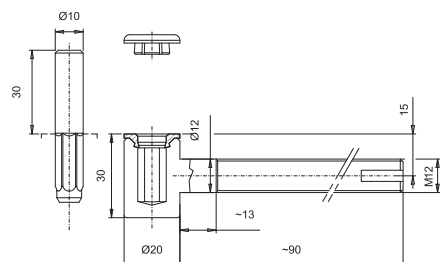
gr 153,30

Black plastified

4x24=96

Box x pcs.Each

2,061


NEW

Q80 Ø20 WALL (M12x90 pivot 10x35)
CG Q80 200 P2 47
Pintle (M12x90 pivot 10x35)

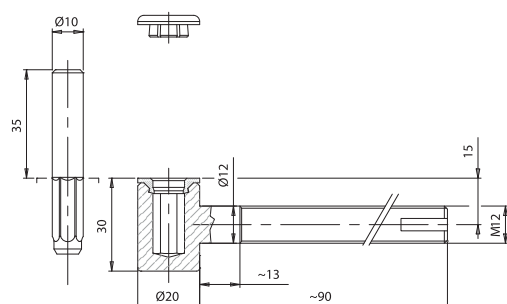
gr 156,40

Black plastified

4x24=96

Box x pcs.Each

1,998


NEW


Q80 Ø20 WALL (M12x90 pivot 10x40)
CG Q80 200 P2 57
Pintle (M12x90 pivot 10x40)

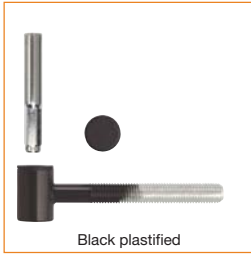
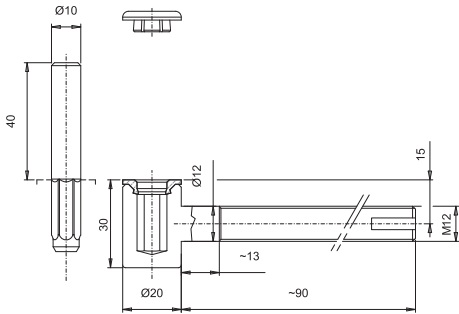
gr 157,30

Black plastified

4x24=96

Box x pcs.Each

2,014


NEW

Q80 Ø20 WALL (M12x90 pivot 12x30)
CG Q80 200 P2 25
Pintle (M12x90 pivot 12x30)

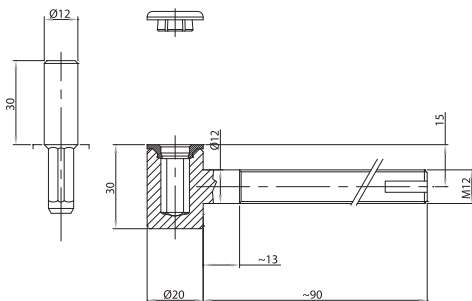
gr 95,68

Black plastified

4x24=96

Box x pcs.Each

2,150


Q80 Ø20 WALL (M12x90 pivot 12x35)
CG Q80 200 P2 17
Pintle (M12x90 pivot 12x35)

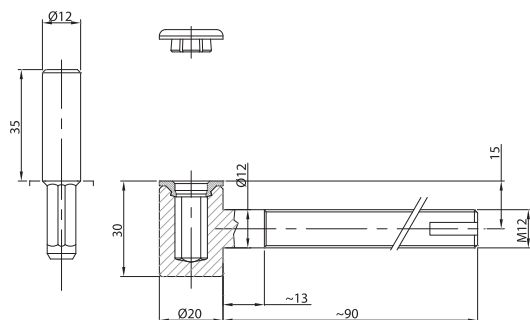
gr 97,77

Black plastified

4x24=96

Box x pcs.Each

2,053



Q80 Ø20 WALL (M12x90 pivot 12x40)
CG Q80 200 P2 67
Pintle (M12x90 pivot 12x40)

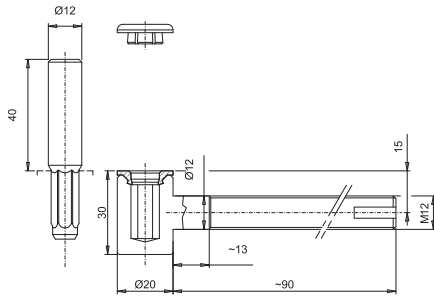
gr 163,90

Black plastified

4x24=96

Box x pcs.Each

2,205


NEW
Q80 Ø20 WALL (M12x120 pivot 10x30)
CG Q80 200 P2 39
Pintle (M12x120 pivot 10x30)

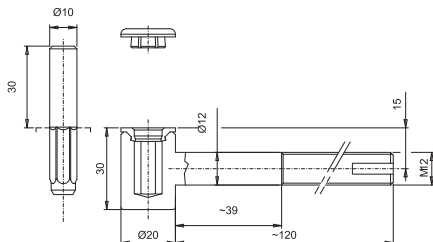
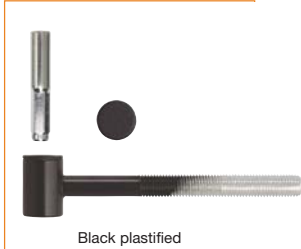
gr 177,30

Black plastified

4x24=96

Box x pcs.Each

2,549


NEW
Q80 Ø20 WALL (M12x120 pivot 10x35)
CG Q80 200 P2 49
Pintle (M12x120 pivot 10x35)

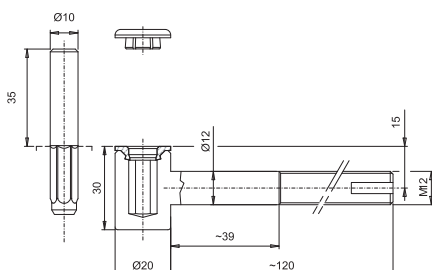
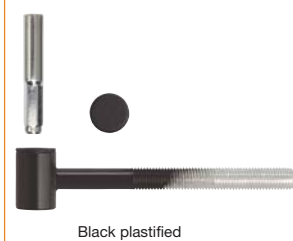
gr 180,30

Black plastified

4x24=96

Box x pcs.Each

2,549


NEW

Q80 Ø20 WALL (M12x120 pivot 10x40)
CG Q80 200 P2 59
Pintle (M12x120 pivot 10x40)

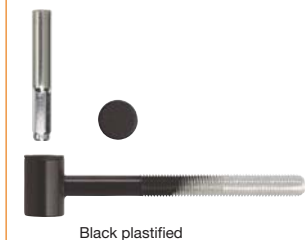
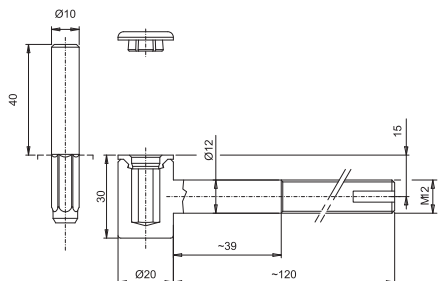
gr 181,30

Black plastified

4x24=96

Box x pcs.Each

2,549


NEW

Q80 Ø20 WALL (M12x120 pivot 12x30)
CG Q80 200 P2 31
Pintle (M12x120 pivot 12x30)

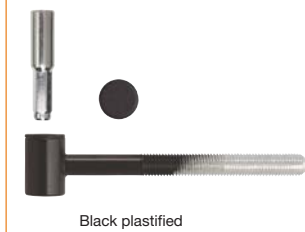
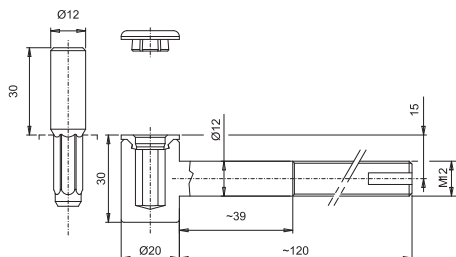
gr 188,00

Black plastified

4x24=96

Box x pcs.Each

2,744


NEW

Q80 Ø20 WALL (M12x120 pivot 12x35)
CG Q80 200 P2 13
Pintle (M12x120 pivot 12x35)

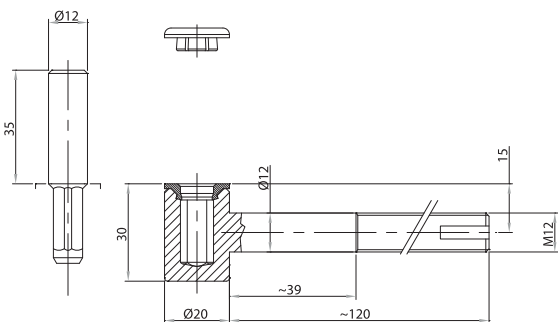
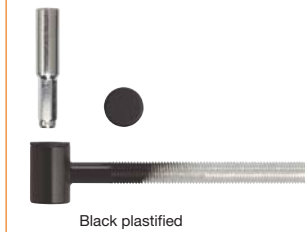
gr 143,60

Black plastified

4x24=96

Box x pcs.Each

2,247



Q80 Ø20 WALL (M12x120 pivot 12x40)
CG Q80 200 P2 69
Pintle (M12x120 pivot 12x40)

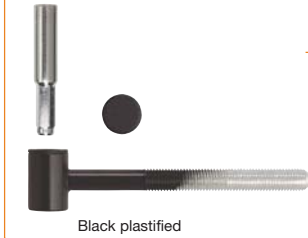
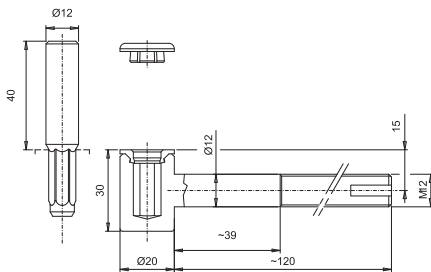
gr 189,90

Black plastified

4x24=96

Box x pcs.Each

2,549


NEW

Q80 Ø20 WALL (M12x140 pivot 12x30)
CG Q80 200 P2 91
Pintle (M12x140 pivot 12x30)

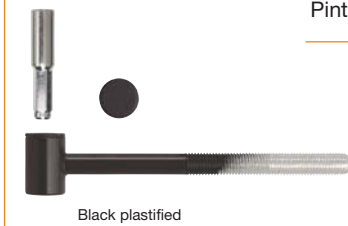
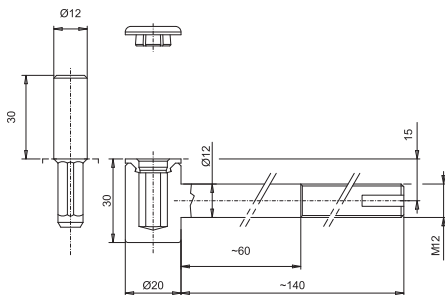
gr 194,40

Black plastified

4x24=96

Box x pcs.Each

3,722


NEW

Q80 Ø20 WALL (M12x140 pivot 12x35)
CG Q80 200 P2 89
Pintle (M12x140 pivot 12x35)

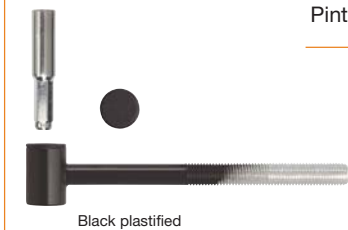
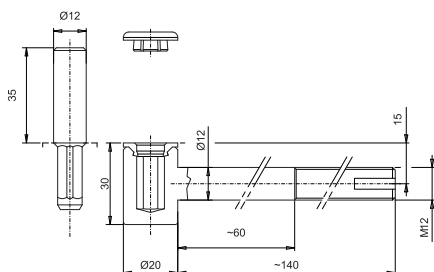
gr 194,40

Black plastified

4x24=96

Box x pcs.Each

3,722


NEW


Q80 Ø20 WALL (M12x180 pivot 10x30)
CG Q80 200 P2 75
Pintle (M12x180 pivot 10x30)

gr 223,80

Black plastified

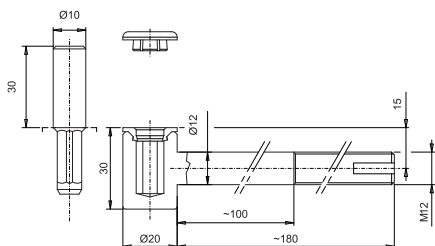
1x84=84

Box x pcs.Each

3,473



Black plastified

NEW

Q80 Ø20 WALL (M12x180 pivot 10x35)
CG Q80 200 P2 77
Pintle (M12x180 pivot 10x35)

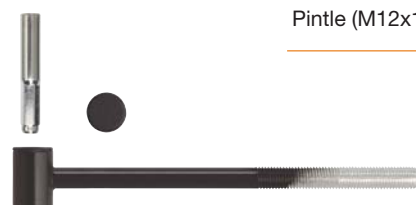
gr 226,90

Black plastified

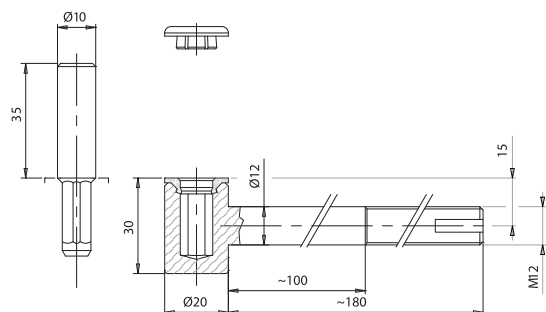
1x84=84

Box x pcs.Each

3,473



Black plastified

NEW

Q80 Ø20 WALL (M12x180 pivot 10x40)
CG Q80 200 P2 79
Pintle (M12x180 pivot 10x40)

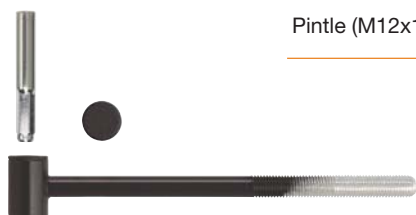
gr 227,80

Black plastified

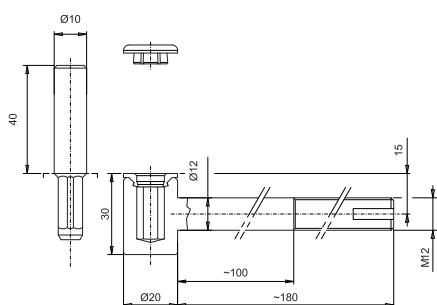
1x84=84

Box x pcs.Each

3,473



Black plastified

NEW


Q80 Ø20 WALL (M12x180 pivot 12x30)
CG Q80 200 P2 81
 Pintle (M12x180 pivot 12x30)

gr 224,40

Black plastified

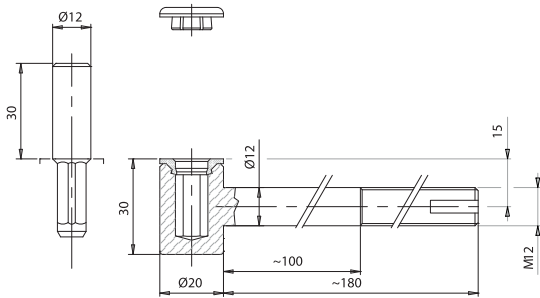
1x84=84

Box x pcs.Each

3,584



Black plastified


NEW
Q80 Ø20 WALL (M12x180 pivot 12x35)
CG Q80 200 P2 83
 Pintle (M12x180 pivot 12x35)

gr 224,40

Black plastified

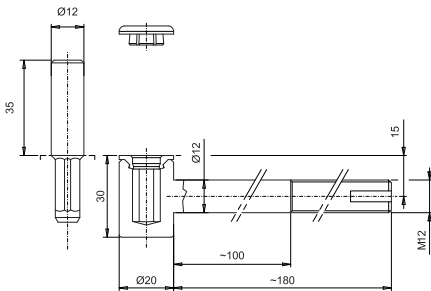
1x84=84

Box x pcs.Each

3,584



Black plastified


NEW
Q80 Ø20 WALL (M12x180 pivot 12x40)
CG Q80 200 P2 85
 Pintle (M12x180 pivot 12x40)

gr 224,40

Black plastified

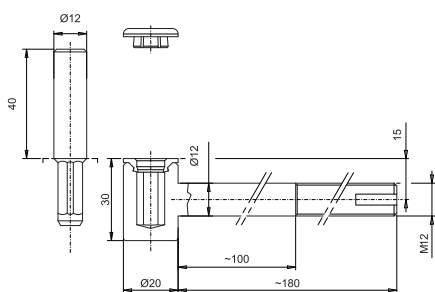
1x84=84

Box x pcs.Each

3,584



Black plastified


NEW

Q85 Ø16 WALL

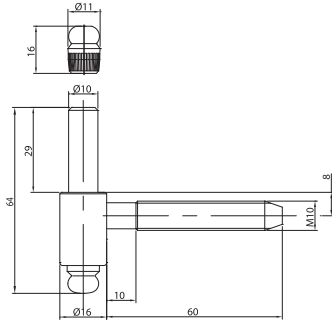

CG Q85 160 H2 10
Pintle (M10x60 pivot 29) + head

gr 94,73

Black varnished zinc plated

1x200=200
Box x pcs.Each

1,850


Q87 Ø16 WALL (M10x60)

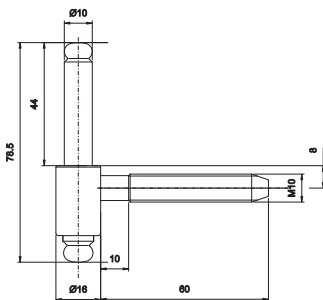

CG Q87 160 P2 02
Pintle (M10x60)

gr 91,55

Black plastified

4x30=120
Box x pcs.Each

2,700


Q87 Ø16 WALL (M12x80)

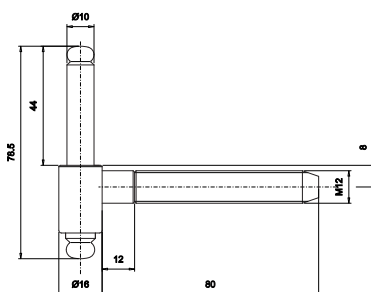

CG Q87 160 P2 04
Pintle (M12x80)

gr 91,55

Black plastified

4x30=120
Box x pcs.Each

3,000



Q87 Ø20 WALL (M10x60)


Black plastified

 CG Q87 200 P2 02
Pintle (M10x60)

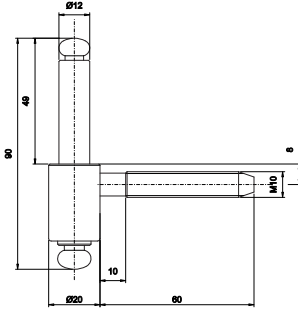
gr 105,00

Black plastified

4x30=120

Box x pcs.Each

3,400


Q87 Ø20 WALL (M12x80)


Black plastified

 CG Q87 200 P2 04
Pintle (M12x80)

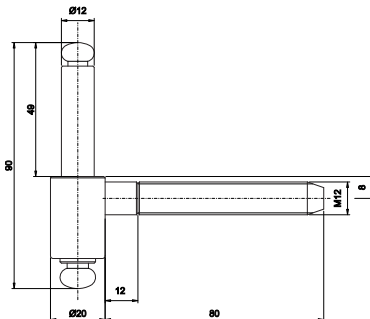
gr 105,00

Black plastified

4x30=120

Box x pcs.Each

3,800


Q90 Ø16 WALL/WOOD


Yellow galvanized

 CF 495 160 H1 02
Female part with 2 pins, adjustable, with nylon bush

gr 64,44

Yellow galvanized

4x50=200

Box x pcs.Each

1,970

 CR Q90 160 H1 02
Adjustable male part for chemical anchor (M10 x 110)

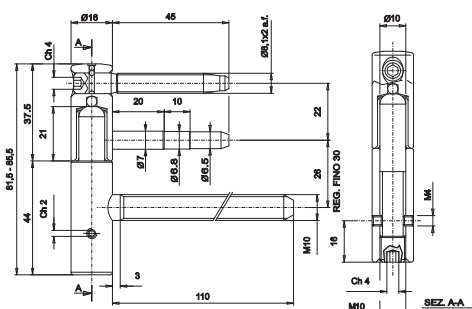
gr 122,48

Yellow galvanized

4x25=100

Box x pcs.Each

4,725

Tot. 6,695


JR 520 (for M10)

JR 520 M10 H0 02
Metal anchor for pin M10x80

gr 43,02

Zinc plated

 4x100=400
Box x pcs.Each

0,735

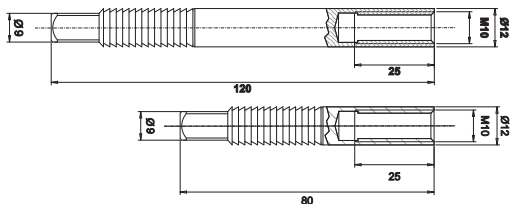
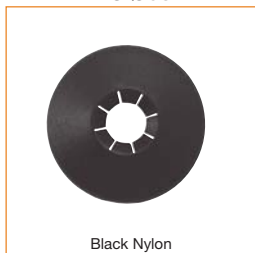
JR 520 M10 H0 04
Metal anchor for pin M10x120

gr 120,00

Zinc plated

 4x60=240
Box x pcs.Each

1,078

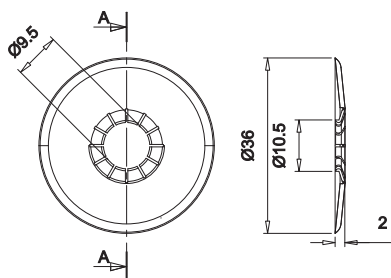

TO Ø35

TO 002 350 Y2 02
Hole cover

gr 1,00

Black Nylon

 8x192=1536
Box x pcs.Each

0,150


TO Ø20

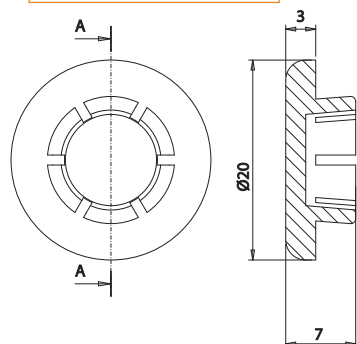
TO 007 200 Y2 02
Nylon cap for pintle, hole Ø12

gr 0,98

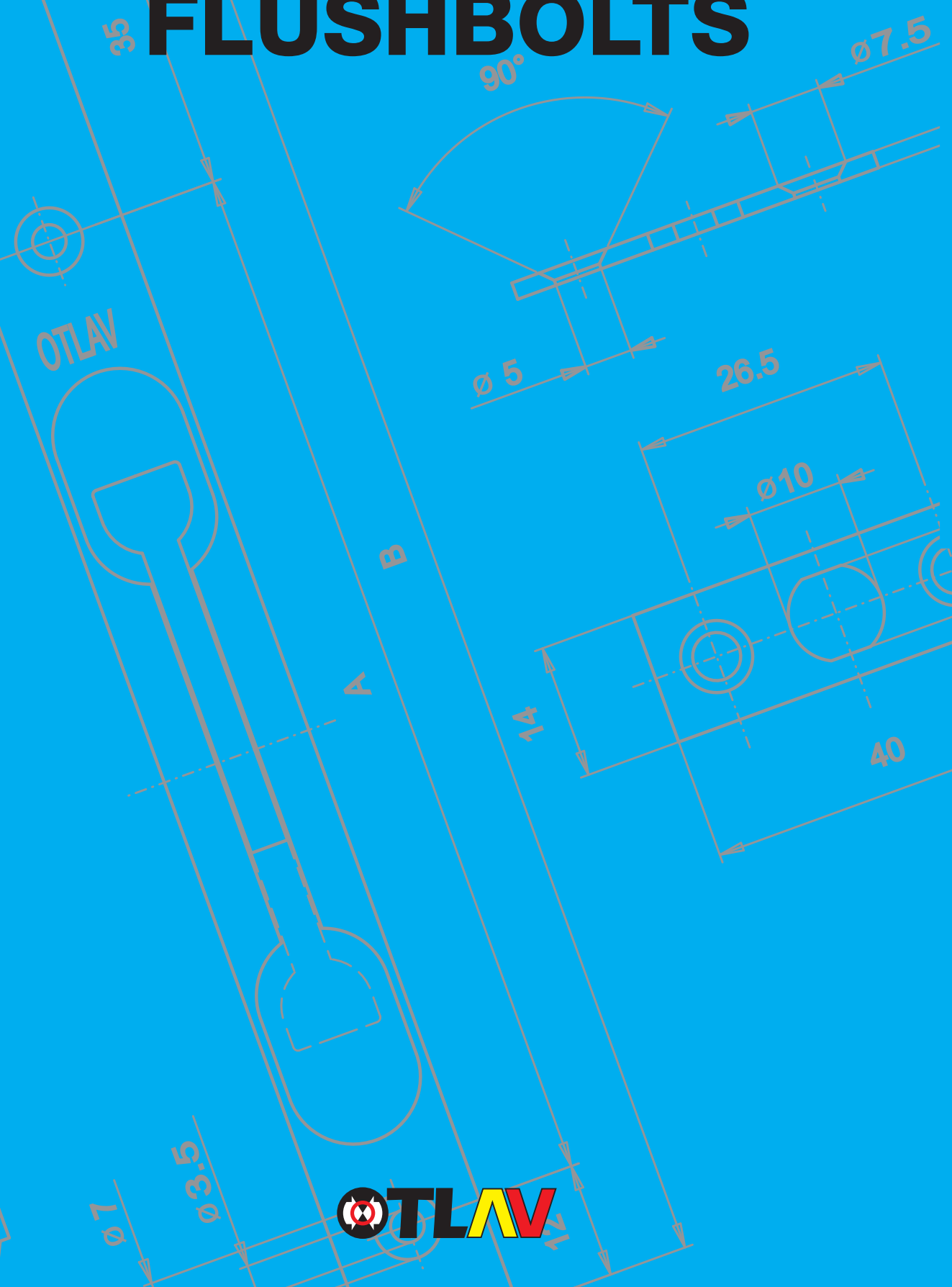
Black Nylon

 8x300=2400
Box x pcs.Each

0,098

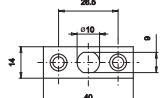
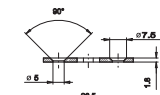
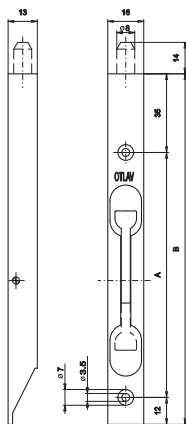

NEW

FLUSHBOLTS



LC 260 Width 16


LC 260 160 B0 02 Flushbolt (L.160 mm)	gr 73,55	Bronze plated	18x20=360 Box x pcs.Each	1,838
LC 260 160 H0 02 Flushbolt (L.160 mm)	gr 73,55	Zinc plated	18x20=360 Box x pcs.Each	1,718
LC 260 160 H1 02 Flushbolt (L.160 mm)	gr 73,55	Yellow galvanised	18x20=360 Box x pcs.Each	1,718
LC 260 160 N0 02 Flushbolt (L.160 mm)	gr 73,55	Nickel plated	18x20=360 Box x pcs.Each	1,903
LC 260 160 O0 02 Flushbolt (L.160 mm)	gr 73,55	Brass plated	18x20=360 Box x pcs.Each	2,063
LC 260 200 B0 02 Flushbolt (L.200 mm)	gr 90,85	Bronze plated	18x20=360 Box x pcs.Each	1,918
LC 260 200 H0 02 Flushbolt (L.200 mm)	gr 90,85	Zinc plated	18x20=360 Box x pcs.Each	1,813
LC 260 200 H1 02 Flushbolt (L.200 mm)	gr 90,85	Yellow galvanised	18x20=360 Box x pcs.Each	1,813
LC 260 200 N0 02 Flushbolt (L.200 mm)	gr 90,85	Nickel plated	18x20x360 Box x pcs.Each	2,270
LC 260 200 O0 02 Flushbolt (L.200 mm)	gr 90,85	Brass plated	18x20=360 Box x pcs.Each	2,445
LC 260 250 B0 02 Flushbolt (L.250 mm)	gr 110,57	Bronze plated	9x20=180 Box x pcs.Each	2,305
LC 260 250 H0 04 Flushbolt (L.250 mm)	gr 110,57	Zinc plated	9x20=180 Box x pcs.Each	1,895
LC 260 250 H1 02 Flushbolt (L.250 mm)	gr 110,57	Yellow galvanised	9x20=180 Box x pcs.Each	1,895
LC 260 250 O0 02 Flushbolt (L.250 mm)	gr 110,57	Brass plated	9x20=180 Box x pcs.Each	2,670
LC 260 300 B0 02 Flushbolt (L.300 mm)	gr 133,40	Bronze plated	9x20=180 Box x pcs.Each	2,233
LC 260 300 H0 02 Flushbolt (L.300 mm)	gr 133,40	Zinc plated	9x20=180 Box x pcs.Each	1,990
LC 260 300 H1 02 Flushbolt (L.300 mm)	gr 133,40	Yellow galvanised	9x20=180 Box x pcs.Each	1,990

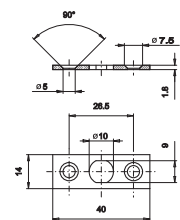
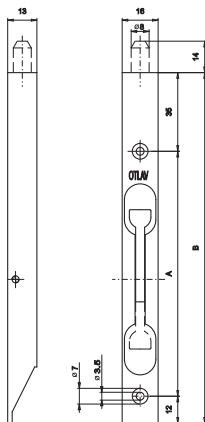


ACCIAIO		
Art.	A	B
LC 260 160	113	160
LC 260 200	163	200
LC 260 250	203	250
LC 260 300	253	300
LC 260 400	353	400
LC 260 600	453	600
LC 260 800	653	800
LC 260 800	753	800

CODE Description	WEIGHT	Finishing	PACKING Box	€ Price per piece
LC 260 300 O0 02 Flushbolt (L.300 mm)	gr 133,40	Brass plated	9x20=180 Box x pcs.Each	3,013
LC 260 400 B0 02 Flushbolt (L.400 mm)	gr 176,77	Bronze plated	9x20=180 Box x pcs.Each	3,355
LC 260 400 H0 02 Flushbolt (L.400 mm)	gr 172,11	Zinc plated	9x20=180 Box x pcs.Each	2,203
LC 260 400 H1 02 Flushbolt (L.400 mm)	gr 176,77	Yellow galvanised	9x20=180 Box x pcs.Each	2,200
LC 260 400 O0 02 Flushbolt (L.400 mm)	gr 176,77	Brass plated	9x20=180 Box x pcs.Each	3,768
LC 260 500 B0 02 Flushbolt (L.500 mm)	gr 217,15	Bronze plated	9x20=180 Box x pcs.Each	3,545
LC 260 500 O0 02 Flushbolt (L.500 mm)	gr 217,15	Brass plated	9x20=180 Box x pcs.Each	4,178
LC 260 600 B0 02 Flushbolt (L.600 mm)	gr 258,12	Bronze plated	6x20=120 Box x pcs.Each	4,100
LC 260 600 O0 02 Flushbolt (L.600 mm)	gr 258,12	Brass plated	6x20=120 Box x pcs.Each	5,325
LC 260 800 B0 02 Flushbolt (L.800 mm)	gr 339,37	Bronze plated	6x20=120 Box x pcs.Each	5,840
LC 260 800 O0 02 Flushbolt (L.800 mm)	gr 339,37	Brass plated	6x20=120 Box x pcs.Each	8,270

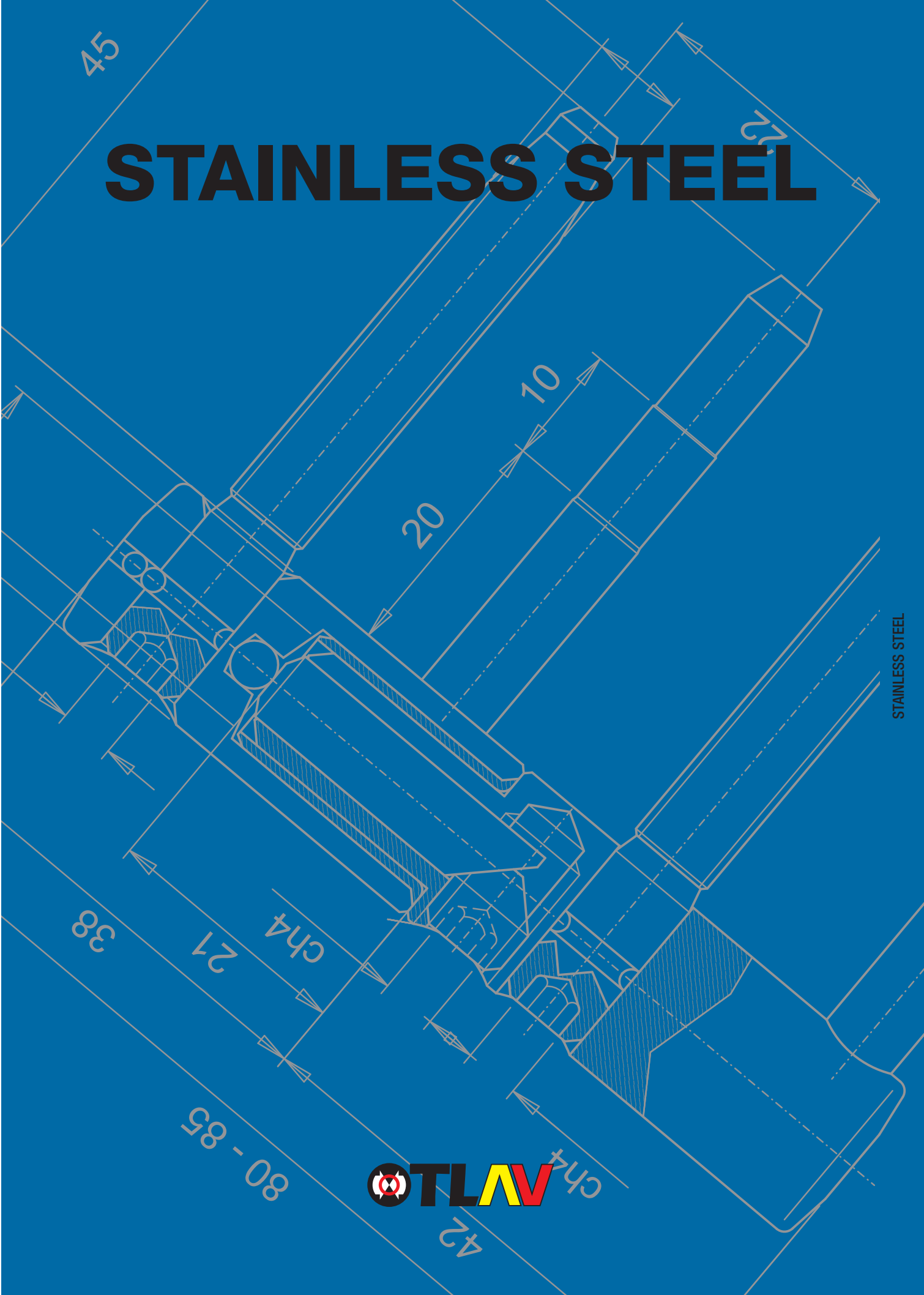
LC 263 BRASS, Width 16


LC 263 160 L1 02 Brass flushbolt (L.160 mm)	gr 73,55	Polished varnished	18x20=360 Box x pcs.Each	3,378
LC 263 200 L1 02 Brass flushbolt (L.200 mm)	gr 90,85	Polished varnished	18x20=360 Box x pcs.Each	3,938
LC 263 250 L1 02 Brass flushbolt (L.250 mm)	gr 110,57	Polished varnished	9x20=180 Box x pcs.Each	4,200
LC 263 300 L1 02 Brass flushbolt (L.300 mm)	gr 133,40	Polished varnished	9x20=180 Box x pcs.Each	4,463
LC 263 400 L1 02 Brass flushbolt (L.400 mm)	gr 176,77	Polished varnished	9x20=180 Box x pcs.Each	5,775



OTTONE		
Art.	A	B
LC 263 160	113	160
LC 263 200	163	200
LC 263 250	203	250
LC 263 300	253	300
LC 263 400	353	400

STAINLESS STEEL

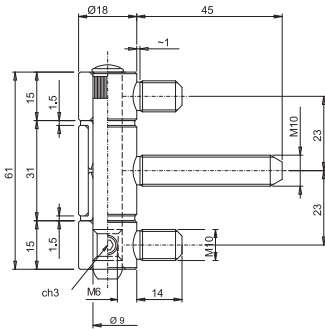


STAINLESS STEEL



320 Ø18 Wasistas Stainless steel


Stainless steel

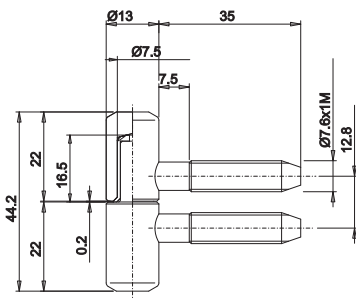

 CI 320 180 G0 06 gr 132,70
 3 Bushes with nylon ring + pivot, wasistas

Natural

 1x140=140 on demand
 Box x pcs.Each

355 Ø13


Polished stainless steel


 CI 355 130 IL 02 gr 65,05
 Stainless steel hinge with nylon bush

Polished stainless steel Box x pcs.Each

2x40=80 9,188

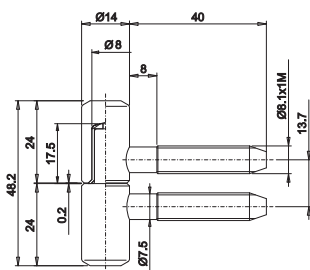
 CI 355 130 IM 02 gr 65,05
 Stainless steel hinge with nylon bush

Matt stainless steel Box x pcs.Each

2x40=80 8,138

355 Ø14 Stainless steel


Matt stainless steel


 CI 355 140 IL 02 gr 82,80
 Stainless steel hinge with nylon bush

Polished stainless steel Box x pcs.Each

2x40=80 9,975

 CI 355 140 IM 02 gr 82,80
 Stainless steel hinge with nylon bush

Matt stainless steel Box x pcs.Each

2x40=80 8,925

STAINLESS STEEL



CAPS
GC 838 Ø17 Ø18
GC 846 Ø17
GC 839 Ø18



TOOLS
MA 701 160 G0 35
MA 700 160 G0 06



DRILL BITS
MC 710 140 G0 04
MC 710 140 G0 06



The stainless steel collection contains the range of the best Otlav® products, realized exclusively with steel par excellence. Non-tarnish and unassailable from bioagressive or atmospherical agents: The stainless steel represents the indestructible soul of steel. The processing of this raw material is a challenge, which understrikes the high technological level and the Otlav® quality.

In the range of the products of the Inox Collection are now available:

P50 Ø 15 mm hinge with plate for uPVC, 320 Ø 16 mm 3 pins hinge for wood

495 Ø 16 mm adjustable Exacta hinge, 355 Ø 13 / 14 / 16 mm 2 pins hinge for wood

553 Ø 11 mm 2 pins hinge for furniture



The **stainless steel collection** contains the range of the best Otlav® products, realized exclusively with steel par excellence.

Non-tarnish and unassailable from bioagressive or atmospherical agents: The **stainless steel** represents the indestructible soul of steel.

The processing of this raw material is a challenge, which understrikes the high **technological level** and the **Otlav® quality**.

553 Ø11 Stainless steel

 CI 553 110 IL 02
 Male part + Female part

gr 36,60

Polished stainless steel

 4x150=600
 Box x pcs.Each

on demand

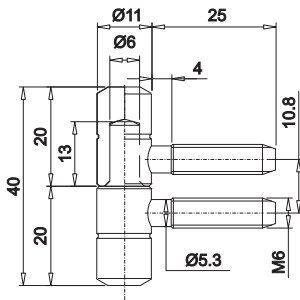
 CI 553 110 IM 02
 Male part + Female part

gr 36,00

Matt stainless steel

 4x150=600
 Box x pcs.Each

on demand


P50 Ø15 Stainless steel

 CF P50 150 G0 03
 Female part (M7 x 40)

gr 43,95

Natural

 4x90=360
 Box x pcs.Each

on demand

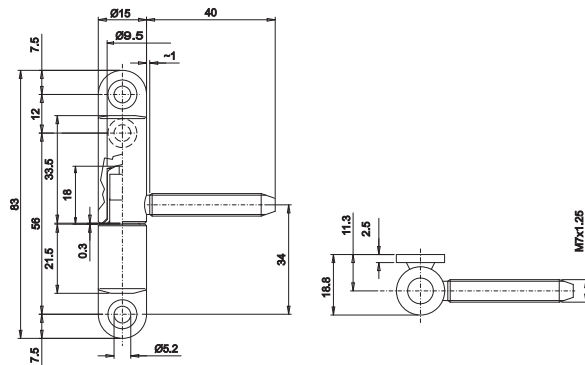
 CG P50 150 G0 04
 Male part on plate with 3 holes

gr 44,70

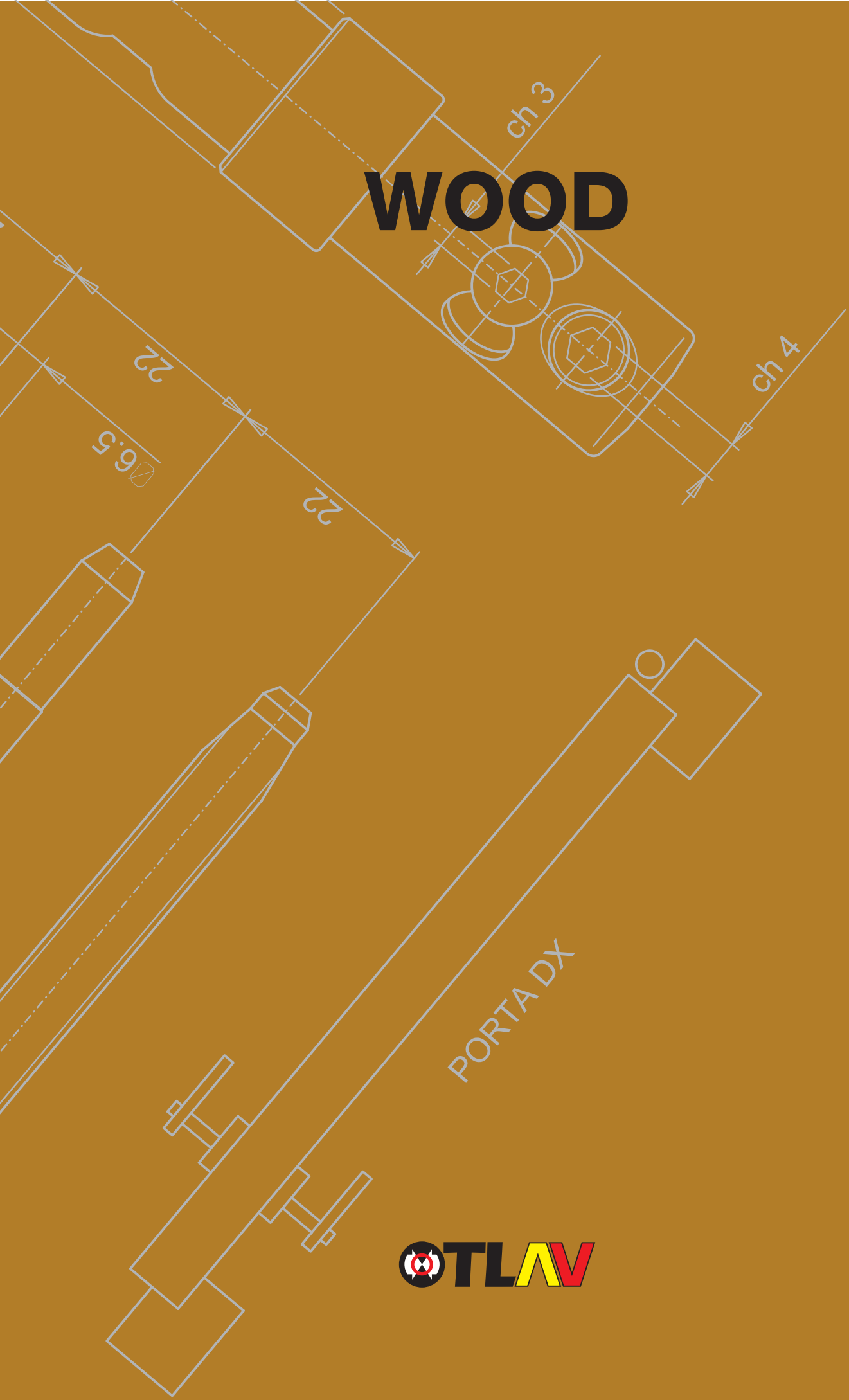
Natural

 4x90=360
 Box x pcs.Each

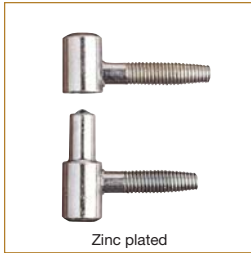
on demand



WOOD



WOOD

030 Ø13


CF 030 130 H0 21 gr 20,65 4x200=800 0,170
Female part Zinc plated Box x pcs.Each

CG 030 130 H0 23 gr 25,43 4x200=800 0,215
Male part Zinc plated Box x pcs.Each **Tot. 0,385**

CF 030 130 H0 37 gr 20,65 1x740=740 0,158
Female part Zinc plated Box x pcs.Each

CG 030 130 H0 31 gr 25,43 1x740=740 0,193
Male part Zinc plated Box x pcs.Each **Tot. 0,351**

CF 030 130 H1 23 gr 20,65 1x740=740 0,158
Female part Yellow galvanised Box x pcs.Each

CG 030 130 H1 23 gr 25,56 1x740=740 0,193
Male part Yellow galvanised Box x pcs.Each **Tot. 0,351**

CF 030 130 H1 28 gr 20,65 4x200=800 0,175
Female part Yellow galvanised Box x pcs.Each

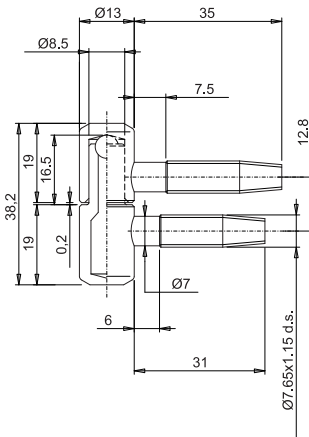
CG 030 130 H1 26 gr 25,56 4x200=800 0,198
Male part Yellow galvanised Box x pcs.Each **Tot. 0,373**

CF 030 130 H1 42 gr 20,65 1x342=342 on demand
Female part Yellow galvanised Box x pcs.Each

CG 030 130 H1 34 gr 25,56 1x342=342 on demand
Male part Yellow galvanised Box x pcs.Each

CF 030 130 O0 06 gr 20,21 4x200=800 0,230
Female part Brass plated Box x pcs.Each

CG 030 130 O0 04 gr 25,56 4x200=800 0,290
Male part Brass plated Box x pcs.Each **Tot. 0,520**

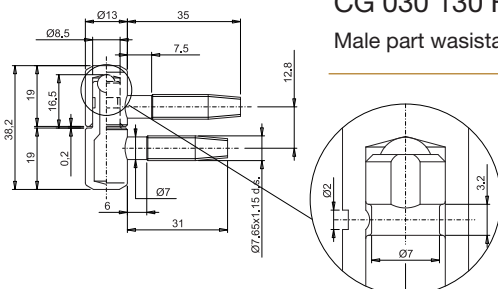

030 Ø13 WASISTAS

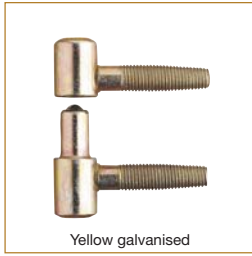

CF 030 130 H0 26 gr 20,33 4x200=800 0,315
Female part wasistas Zinc plated Box x pcs.Each

CG 030 130 H0 26 gr 24,66 4x200=800 0,420
Male part wasistas Zinc plated Box x pcs.Each **Tot. 0,735**

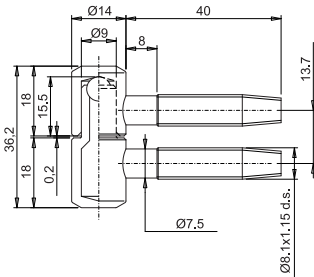
CF 030 130 H1 26 gr 20,33 4x200=800 0,303
Female part wasistas Yellow galvanised Box x pcs.Each

CG 030 130 H1 24 gr 24,66 4x200=800 0,380
Male part wasistas Yellow galvanised Box x pcs.Each **Tot. 0,683**



030 Ø14


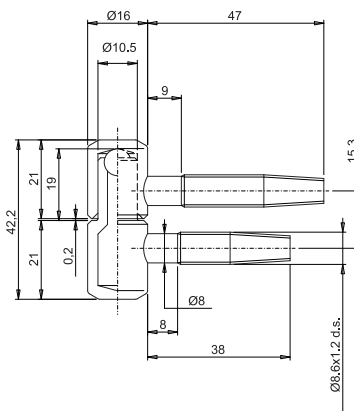
CF 030 140 H0 02	gr 25,23	4x160=640	0,238
Female part		Zinc plated	Box x pcs.Each
CG 030 140 H0 02	gr 30,57	4x160=640	0,275
Male part		Zinc plated	Box x pcs.Each Tot. 0,513
CF 030 140 H1 16	gr 25,23	4x160=640	0,210
Female part		Yellow galvanised	Box x pcs.Each



CG 030 140 H1 18	gr 30,57	4x160x640	0,263
Male part		Yellow galvanised	Box x pcs.Each Tot. 0,473

030 Ø16


CF 030 160 H0 27	gr 35,47	4x110=440	0,270
Female part		Zinc plated	Box x pcs.Each
CG 030 160 H0 27	gr 44,20	4x110=440	0,343
Male part		Zinc plated	Box x pcs.Each Tot. 0,613
CF 030 160 H1 49	gr 35,47	1x450=450	0,260
Female part		Yellow galvanised	Box x pcs.Each



CG 030 160 H1 59	gr 44,20	1x450=450	0,328
Male part		Yellow galvanised	Box x pcs.Each Tot. 0,588

CF 030 160 H1 51	gr 35,47	4x110=440	0,270
Female part		Yellow galvanised	Box x pcs.Each

CG 030 160 H1 61	gr 44,20	4x110=440	0,343
Male part		Yellow galvanised	Box x pcs.Each Tot. 0,613

CF 030 160 N0 03	gr 35,71	4x110=440	on demand
Female part		Nickel plated	Box x pcs.Each

CG 030 160 N0 04	gr 43,30	4x110=440	on demand
Male part		Nickel plated	Box x pcs.Each

030 Ø16 WASISTAS

CF 030 160 H1 50
Female part wasistas

gr 35,47

Yellow galvanized

 4x110=440
Box x pcs.Each

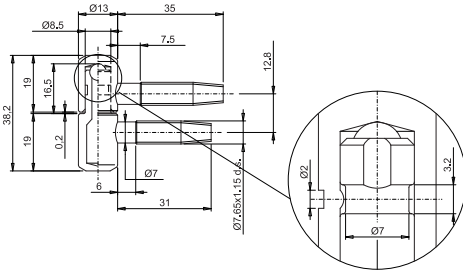
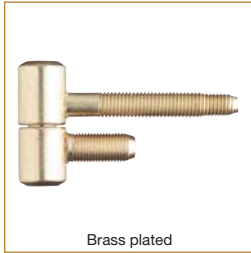
0,395

CG 030 160 H1 60
Male part wasistas

gr 42,84

Yellow galvanized

 4x110=440
Box x pcs.Each

 0,545
Tot. 0,940

031 Ø16 (Male part pin M10 x 22)

CF 031 160 H0 03
Female part

gr 42,95

Zinc plated

 1x390=390
Box x pcs.Each

0,380

CG 031 160 H0 06
Male part

gr 51,08

Zinc plated

 1x390=390
Box x pcs.Each

 0,465
Tot. 0,845
CF 031 160 H1 02
Female part

gr 42,90

Yellow galvanized

 4x80=320
Box x pcs.Each

0,420

CG 031 160 H1 04
Male part

gr 51,08

Yellow galvanized

 4x80=320
Box x pcs.Each

 0,525
Tot. 0,945
CF 031 160 O0 02
Female part

gr 42,90

Brass plated

 4x80=320
Box x pcs.Each

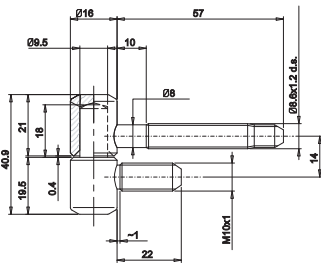
0,525

CG 031 160 O0 06
Male part

gr 50,40

Brass plated

 4x80=320
Box x pcs.Each

 0,630
Tot. 1,155

031 Ø16 (8,6 x 57)

CF 031 160 H0 03
Female part

gr 42,95

Zinc plated

 1x390=390
Box x pcs.Each

0,380

CG 031 160 H0 08
Male part

gr 59,90

Zinc plated

 4x80=320
Box x pcs.Each

 0,525
Tot. 0,905
CF 031 160 H1 02
Female part

gr 42,90

Yellow galvanized

 4x80x320
Box x pcs.Each

0,420

CG 031 160 H1 03
Male part

gr 59,90

Yellow galvanized

 4x80=320
Box x pcs.Each

 0,525
Tot. 0,945
CF 031 160 O0 02
Female part

gr 42,90

Brass plated

 4x80=320
Box x pcs.Each

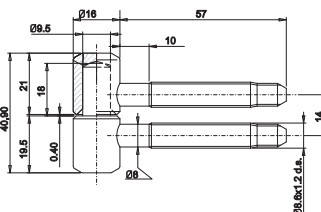
0,525

CG 031 160 O0 04
Male part

gr 59,90

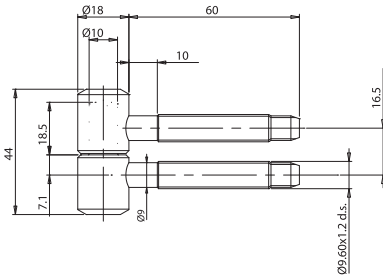
Brass plated

 4x80=320
Box x pcs.Each

 0,623
Tot. 1,148




CF 045 180 H0 14	gr 59,56	8x25=200	0,680
Female part	Zinc plated	Box x pcs.Each	
CG 045 180 H0 17	gr 79,16	8x25=200	0,738
Male part	Zinc plated	Box x pcs.Each	Tot. 1,418



CF 050 130 H0 06	gr 27,37	1x600=600	0,780
Female part	Zinc plated	Box x pcs.Each	
CG 050 130 H0 07	gr 32,28	1x600=600	0,913
Male part	Zinc plated	Box x pcs.Each	Tot. 1,693

CF 050 130 N0 02	gr 27,37	1x600=600	0,870
Female part	Nickel plated	Box x pcs.Each	

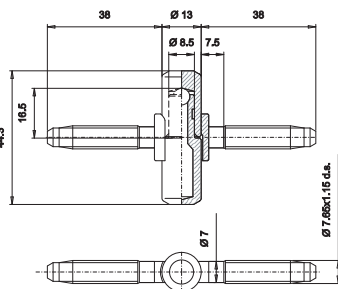
CG 050 130 N0 04	gr 32,28	1x600=600	1,023
Male part	Nickel plated	Box x pcs.Each	Tot. 1,893

CF 050 130 N4 02	gr 27,35	1x600=600	on demand
Female part	Matt nickel plated	Box x pcs.Each	

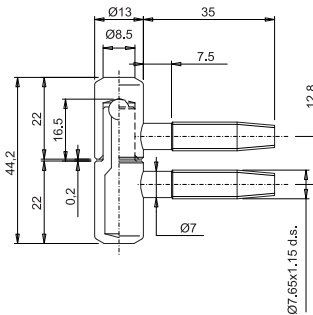
CG 050 130 N4 04	gr 32,51	1x600=600	on demand
Male part	Matt nickel plated	Box x pcs.Each	

CF 050 130 O0 05	gr 27,37	1x600=600	0,878
Female part	Brass plated	Box x pcs.Each	

CG 050 130 O0 05	gr 32,28	1x600=600	1,035
Male part	Brass plated	Box x pcs.Each	Tot. 1,913



NEW

055 Ø13


CF 055 130 B0 12

gr 23,68

Female part

Bronze plated

4x160=640

Box x pcs.Each

0,223

CG 055 130 B0 12

gr 28,58

Male part

Bronze plated

4x160=640

Box x pcs.Each

0,270

Tot. 0,493

CF 055 130 B0 13

gr 23,68

Female part

Bronze plated

1x690=690

Box x pcs.Each

0,218

CG 055 130 B0 13

gr 28,58

Male part

Bronze plated

1x690=690

Box x pcs.Each

0,265

Tot. 0,483

CF 055 130 B0 21

gr 23,68

Female part on loader

Bronze plated

1x342=342

Box x pcs.Each

on demand

CG 055 130 B0 07

gr 28,58

Male part on loader

Bronze plated

1x342=342

Box x pcs.Each

on demand

CF 055 130 H0 11

gr 23,68

Female part

Zinc plated

1x690=690

Box x pcs.Each

0,185

CG 055 130 H0 22

gr 28,58

Male part

Zinc plated

1x690=690

Box x pcs.Each

0,218

Tot. 0,403

CF 055 130 H1 27

gr 23,14

Female part

Yellow galvanised

1x690=690

Box x pcs.Each

0,189

CG 055 130 H1 27

gr 27,95

Male part

Yellow galvanised

1x690=690

Box x pcs.Each

0,223

Tot. 0,412

CF 055 130 H1 31

gr 23,14

Female part

Yellow galvanised

4x160=640

Box x pcs.Each

0,200

CG 055 130 H1 31

gr 27,95

Male part

Yellow galvanised

4x160=640

Box x pcs.Each

0,225

Tot. 0,425

CF 055 130 H1 62

gr 23,14

Female part on loader

Yellow galvanised

1x342=342

Box x pcs.Each

on demand

CG 055 130 H1 46

gr 27,95

Male part on loader

Yellow galvanised

1x342=342

Box x pcs.Each

on demand

CF 055 130 N0 05

gr 23,14

Female part

Nickel plated

4x160=640

Box x pcs.Each

0,238

CG 055 130 N0 05

gr 27,95

Male part

Nickel plated

4x160=640

Box x pcs.Each

0,298

Tot. 0,536

CF 055 130 N4 02

gr 23,138

Female part

Matt nickel plated

4x160=640

Box x pcs.Each

0,675

CG 055 130 N4 02

gr 27,95

Male part

Matt nickel plated

4x160=640

Box x pcs.Each

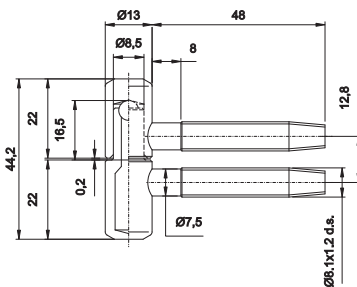
0,740

Tot. 1,415

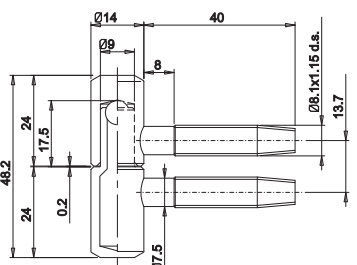
CODE Description	WEIGHT	Finishing	PACKING Box	€ Price per piece
CF 055 130 O0 08 Female part	gr 22,173	Brass plated	4x160=640 Box x pcs.Each	0,275
CG 055 130 O0 10 Male part	gr 27,26	Brass plated	4x160=640 Box x pcs.Each	0,263 Tot. 0,538
CF 055 130 O0 24 Female part on loader	gr 22,173	Brass plated	1x342=342 Box x pcs.Each	0,315
CG 055 130 O0 23 Male part on loader	gr 27,26	Brass plated	1x342=342 Box x pcs.Each	0,368 Tot. 0,683

055 Ø13 (Pins 8,1 x 48)


CF 055 130 H1 48 Female part (Pin 8,1 x 48)	gr 29,26	Yellow galvanized	1x550=550 Box x pcs.Each	on demand
CG 055 130 H1 48 Male part (Pin 8,1 x 48)	gr 34,04	Yellow galvanized	1x550=550 Box x pcs.Each	on demand


055 Ø14

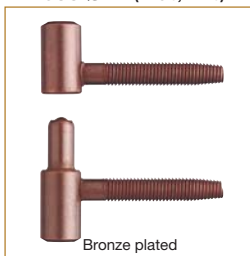

CF 055 140 B0 10 Female part on loader	gr 31,32	Bronze plated	1x342=342 Box x pcs.Each	0,300
CG 055 140 B0 07 Male part on loader	gr 34,55	Bronze plated	1x342=342 Box x pcs.Each	0,350 Tot. 0,650
CF 055 140 B0 11 Female part	gr 31,32	Bronze plated	1x550=550 Box x pcs.Each	0,263



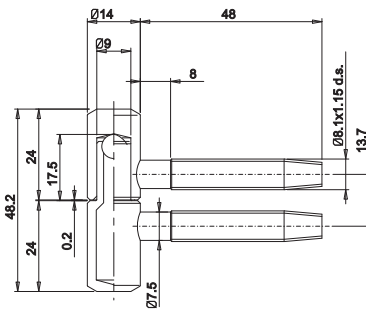
CG 055 140 B0 11 Male part	gr 34,55	Bronze plated	1x550=550 Box x pcs.Each	0,298 Tot. 0,561
CF 055 140 B0 15 Female part	gr 31,32	Bronze plated	4x130=520 Box x pcs.Each	0,270
CG 055 140 B0 15 Male part	gr 34,55	Bronze plated	4x130=520 Box x pcs.Each	0,308 Tot. 0,578

CODE	WEIGHT	PACKING	€
Description	Finishing	Box	Price per piece
CF 055 140 H0 10 Female part	gr 29,95 Zinc plated	1x550=550 Box x pcs.Each	0,210
CG 055 140 H0 08 Male part	gr 33,43 Zinc plated	1x550=550 Box x pcs.Each	0,245 Tot. 0,455
CF 055 140 H0 15 Female part on loader	gr 29,95 Zinc plated	1x342=342 Box x pcs.Each	0,260
CG 055 140 H0 15 Male part on loader	gr 33,43 Zinc plated	1x342=342 Box x pcs.Each	0,290 Tot. 0,550
CF 055 140 H0 21 Female part	gr 29,95 Zinc plated	4x130=520 Box x pcs.Each	on demand
CG 055 140 H0 21 Male part	gr 33,43 Zinc plated	4x130=520 Box x pcs.Each	on demand
CF 055 140 H1 19 Female part	gr 29,95 Yellow galvanised	1x550=550 Box x pcs.Each	0,210
CG 055 140 H1 27 Male part	gr 33,43 Yellow galvanised	1x550=550 Box x pcs.Each	0,245 Tot. 0,455
CF 055 140 H1 21 Female part	gr 29,95 Yellow galvanised	4x130=520 Box x pcs.Each	0,230
CG 055 140 H1 29 Male part	gr 33,43 Yellow galvanised	4x130=520 Box x pcs.Each	0,260 Tot. 0,490
CF 055 140 H1 29 Female part on loader	gr 29,95 Yellow galvanised	1x342=342 Box x pcs.Each	0,260
CG 055 140 H1 37 Male part on loader	gr 33,43 Yellow galvanised	1x342=342 Box x pcs.Each	0,300 Tot. 0,560
CF 055 140 N0 04 Female part	gr 31,32 Nickel plated	4x130=520 Box x pcs.Each	0,290
CG 055 140 N0 08 Male part	gr 34,54 Nickel plated	4x130=520 Box x pcs.Each	0,305 Tot. 0,595
CF 055 140 N4 02 Female part	gr 31,32 Matt nickel plated	4x130=520 Box x pcs.Each	0,760
CG 055 140 N4 02 Male part	gr 34,55 Matt nickel plated	4x130=520 Box x pcs.Each	0,763 Tot. 1,523
CF 055 140 O0 07 Female part	gr 31,32 Brass plated	4x130=520 Box x pcs.Each	0,290
CG 055 140 O0 05 Male part	gr 34,55 Brass plated	4x130=520 Box x pcs.Each	0,328 Tot. 0,618

CODE Description	WEIGHT	PACKING	€
		Box	Price per piece
CF 055 140 O0 16 Female part on loader	gr 31,32	1x342=342 Box x pcs.Each	on demand
CG 055 140 O0 12 Male part on loader	gr 34,55	1x342=342 Box x pcs.Each	on demand
CF 055 140 T1 05 Female part on loader	gr 31,45	1x342=342 Box x pcs.Each	1,130
CG 055 140 T1 03 Male part on loader	gr 33,43	1x342=342 Box x pcs.Each	1,365 Tot. 2,495
CI 055 140 T1 02 Male part + Female part	gr 66,46	4x60=240 Box x pcs.Each	2,363

055 Ø14 (Pins 8,1 x 48)


CF 055 140 B0 25 Female part (Pin 8,1 x 48)	gr 33,96	1x500=500 Box x pcs.Each	0,298
CG 055 140 B0 19 Male part (Pin 8,1 x 48)	gr 37,24	1x500=500 Box x pcs.Each	0,338 Tot. 0,636
CF 055 140 H0 12 Female part (Pin 8,1 x 48)	gr 33,91	1x500=500 Box x pcs.Each	0,250
CG 055 140 H0 10 Male part (Pin 8,1 x 48)	gr 38,40	1x500=500 Box x pcs.Each	0,285 Tot. 0,535
CF 055 140 H1 24 Female part (Pin 8,1 x 48)	gr 33,96	1x500=500 Box x pcs.Each	0,250
CG 055 140 H1 32 Male part (Pin 8,1 x 48)	gr 37,24	1x500=500 Box x pcs.Each	0,283 Tot. 0,533
CF 055 140 H1 33 Female part (Pin 8,1 x 48) on loader	gr 33,96	1x285=285 Box x pcs.Each	0,320
CG 055 140 H1 41 Male part (Pin 8,1 x 48) on loader	gr 37,24	1x285=285 Box x pcs.Each	0,328 Tot. 0,648



055 Ø14 WASISTAS

CF 055 140 B0 14

gr 31,40

4x130=520

0,420

Female part wasistas

Bronze plated

Box x pcs.Each

CG 055 140 B0 12

gr 34,05

4x130=520

0,505

Male part wasistas

Bronze plated

Box x pcs.Each

Tot. 0,925
CF 055 140 H0 14

gr 31,40

4x130=520

0,355

Female part wasistas

Zinc plated

Box x pcs.Each

CG 055 140 H0 14

gr 34,05

4x130=520

0,448

Male part wasistas

Zinc plated

Box x pcs.Each.

Tot. 0,803
CF 055 140 H1 20

gr 31,40

4x130=520

0,335

Female part wasistas

Yellow galvanised

Box x pcs.Each

CG 055 140 H1 28

gr 34,05

4x130=520

0,455

Male part wasistas

Yellow galvanised

Box x pcs.Each

Tot. 0,790
CF 055 140 O0 06

gr 31,40

4x130x520

0,405

Female part wasistas

Brass plated

Box x pcs.Each

CG 055 140 O0 04

gr 34,05

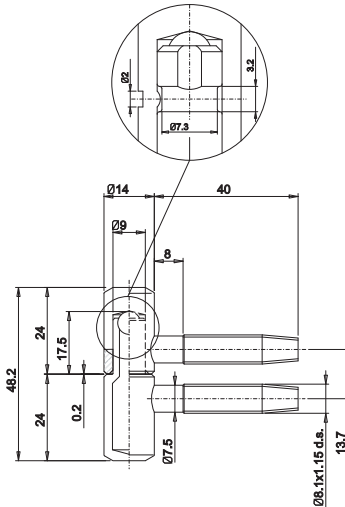
4x130=520

0,533

Male part wasistas

Brass plated

Box x pcs.Each

Tot. 0,938

055 Ø14 with plate

CI 055 140 P2 03

gr 83,50

4x50=200

on demand

Male part + Female part with plate (right)

Black Plastified

Box x pcs.Each

CI 055 140 P2 04

gr 83,50

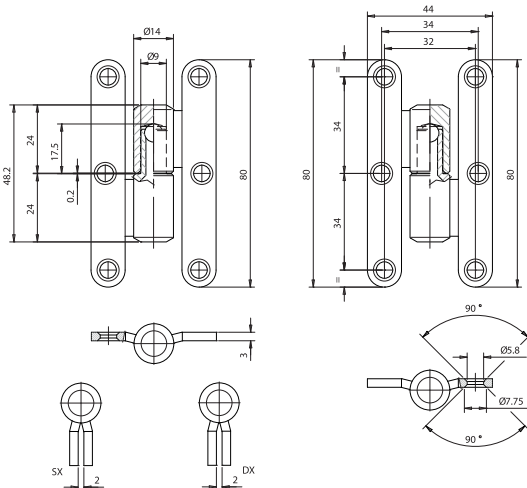
4x50=200

on demand

Male part + Female part with plate (left)

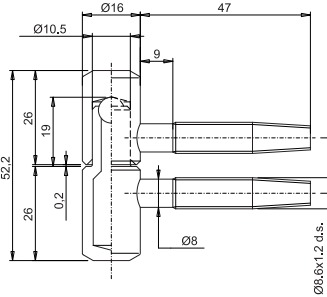
Black Plastified

Box x pcs.Each


NEW

055 Ø16

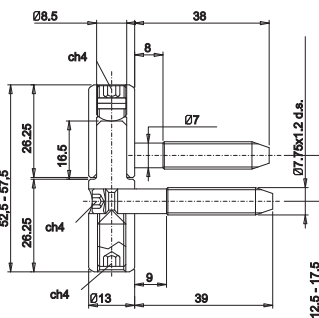

Yellow galvanized



CF 055 160 B0 04 Female part	gr 43,69	Bronze plated	4x80=320 Box x pcs.Each	0,375
CG 055 160 B0 04 Male part	gr 51,80	Bronze plated	4x80=320 Box x pcs.Each	0,500 Tot. 0,875
CF 055 160 H0 04 Female part	gr 43,78	Zinc plated	1x350=350 Box x pcs.Each	0,300
CG 055 160 H0 06 Male part	gr 52,58	Zinc plated	1x350=350 Box x pcs.Each	0,380 Tot. 0,680
CF 055 160 H1 04 Female part	gr 43,78	Yellow galvanized	4x80=320 Box x pcs.Each	0,313
CG 055 160 H1 06 Male part	gr 52,58	Yellow galvanized	4x80=320 Box x pcs.Each	0,380 Tot. 0,693
CF 055 160 H1 13 Female part	gr 43,78	Yellow galvanized	1x350=350 Box x pcs.Each	0,300
CG 055 160 H1 13 Male part	gr 52,58	Yellow galvanized	1x350=350 Box x pcs.Each	0,368 Tot. 0,668
CF 055 160 N0 06 Female part	gr 43,78	Nickel plated	1x350=350 Box x pcs.Each	0,393
CG 055 160 N0 06 Male part	gr 52,58	Nickel plated	1x350=350 Box x pcs.Each	0,523 Tot. 0,916
CF 055 160 O0 04 Female part	gr 43,69	Brass plated	4x80=320 Box x pcs.Each	0,405
CG 055 160 O0 04 Male part	gr 51,80	Brass plated	4x80=320 Box x pcs.Each	0,543 Tot. 0,948

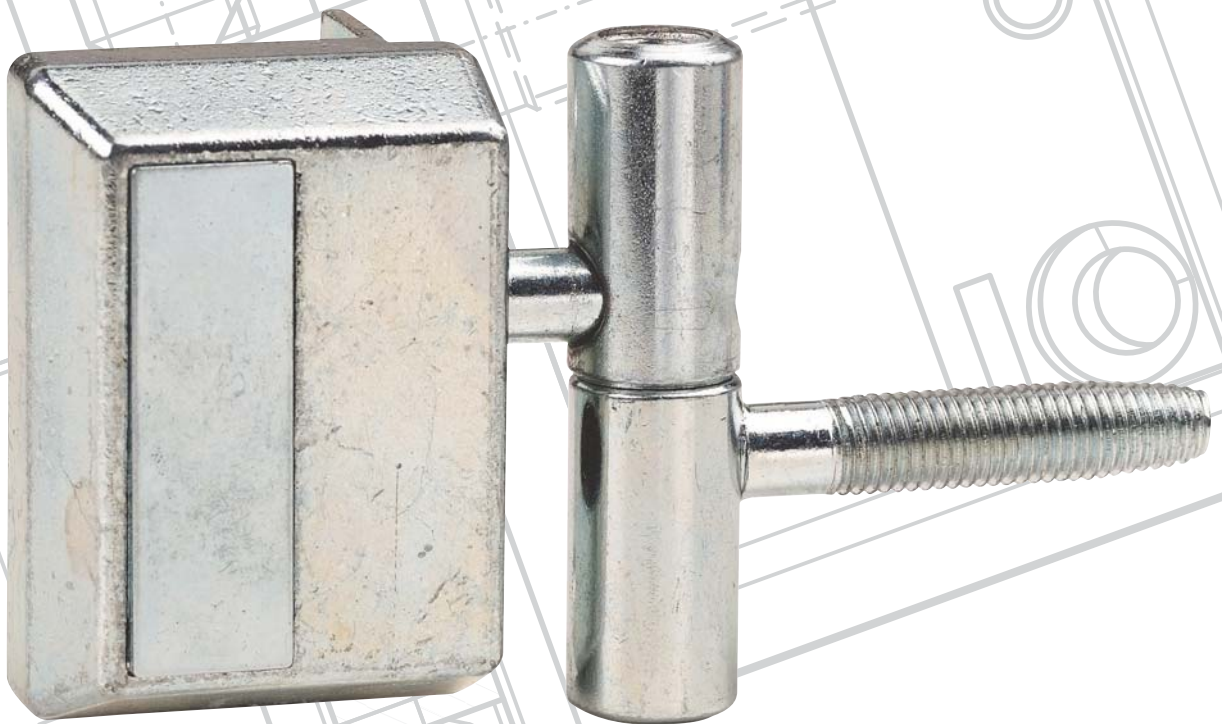
057 Ø13


Zinc plated



CF 057 130 H0 01 Adjustable female part	gr 27,22	Zinc plated	1x500=500 Box x pcs.Each	1,050
CG 057 130 H0 03 Adjustable male part	gr 40,70	Zinc plated	1x500=500 Box x pcs.Each	1,550 Tot. 2,600
CF 057 130 H1 05 Adjustable female part	gr 27,29	Yellow galvanized	4x110=440 Box x pcs.Each	1,050
CG 057 130 H1 07 Adjustable male part	gr 40,84	Yellow galvanized	4x110=440 Box x pcs.Each	1,550 Tot. 2,600

TRIAINT



Advantages

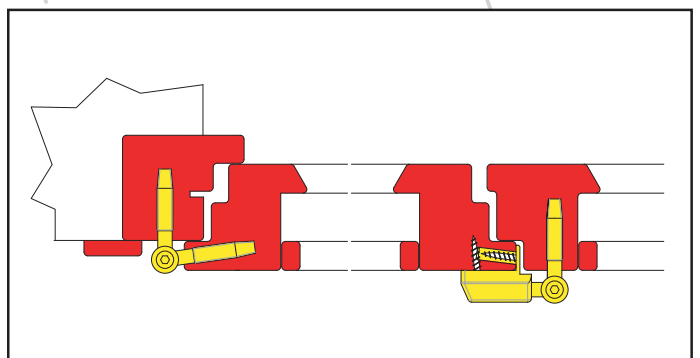
For the first time, Triant is an adjustable solution specifically designed for a third shutter.

Functionality

Created for quick assembly and for companies that dispose of automatic door-drilling systems, thanks to the retainer dowel. It ensures perfect vertical and side-ways adjustment of the third shutter.

Accessories

Caps are available to cover the body of the Triant hinge for a better appearance. Jigs are available for manual assembly.



057 Ø14



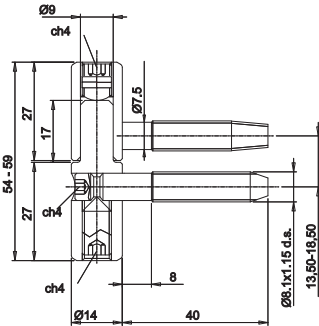
Yellow galvanised

CF 057 140 H0 08	gr 32,70	1x400=400	1,038
Adjustable female part		Box x pcs.Each	

CG 057 140 H0 10	gr 48,93	1x400=400	1,708
Adjustable male part		Box x pcs.Each	Tot. 2,746

CF 057 140 H1 10	gr 32,47	4x110=440	1,050
Adjustable female part		Box x pcs.Each	

CG 057 140 H1 10	gr 48,74	4x110=440	1,708
Adjustable male part		Box x pcs.Each	Tot. 2,758



057 Ø14 TRIANT Adjustable for third shutter



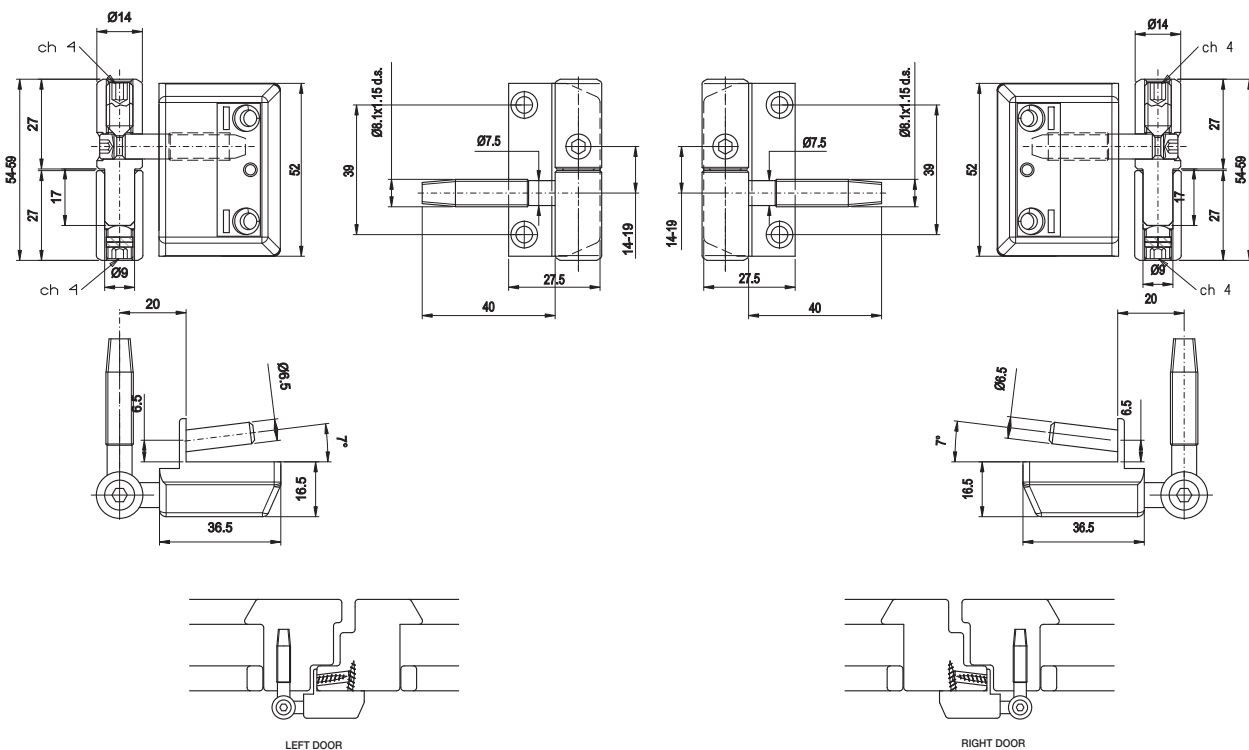
Zinc plated

CF 057 140 H0 08	gr 32,70	1x400=400	1,038
Adjustable female part		Box x pcs.Each	

CG 057 140 H0 11	gr 15,00	1x100=100	11,158
Adjustable male part on fixing plate (left)		Box x pcs.Each	Tot. 12,196

CF 057 140 H0 08	gr 32,70	1x400=400	1,038
Adjustable female part		Box x pcs.Each	

CG 057 140 H0 12	gr 15,00	1x100=100	11,158
Adjustable male part on fixing plate (right)		Box x pcs.Each	Tot. 12,196



057 Ø16

CF 057 160 H0 01
Adjustable female part

gr 45,50

Zinc plated

 1x280=280
Box x pcs.Each

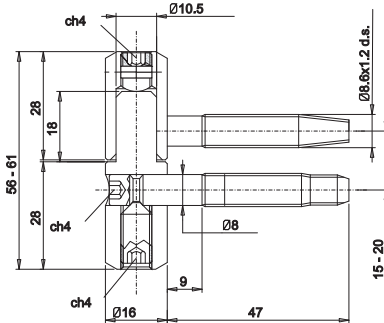
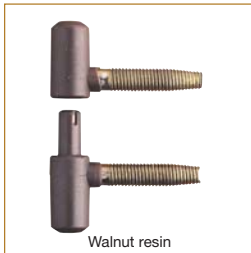
1,575

CG 057 160 H0 03
Adjustable male part

gr 68,15

Zinc plated

 1x280=280
Box x pcs.Each

 1,708
Tot. 3,283

060 Ø14 AETERNA

CF 060 140 A0 05
Female part in anticorrosion resin

gr 25,63

Walnut resin

 4x130=520
Box x pcs.Each

0,658

CG 060 140 A0 05
Male part in anticorrosion resin

gr 32,86

Walnut resin

 4x130=520
Box x pcs.Each

 0,525
Tot. 1,183
CF 060 140 A1 06
Female part in anticorrosion resin

gr 25,82

Durmast resin

 1x600=600
Box x pcs.Each

0,658

CG 060 140 A1 04
Male part in anticorrosion resin

gr 32,94

Durmast resin

 1x600=600
Box x pcs.Each

 0,525
Tot. 1,183
CF 060 140 A2 05
Female part in anticorrosion resin

gr 25,63

Black resin

 4x130=520
Box x pcs.Each

0,658

CG 060 140 A2 05
Male part in anticorrosion resin

gr 32,86

Black resin

 4x130=520
Box x pcs.Each

 0,525
Tot. 1,183
CF 060 140 A3 06
Female part in anticorrosion resin

gr 25,82

White resin

 1x600=600
Box x pcs.Each

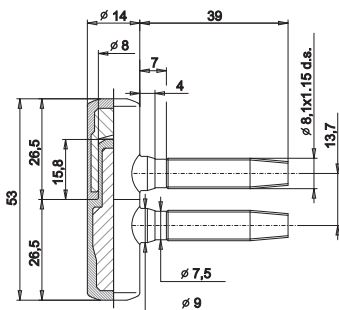
0,658

CG 060 140 A3 04
Male part in anticorrosion resin

gr 32,94

White resin

 1x600=600
Box x pcs.Each

 0,525
Tot. 1,183


070 Ø13



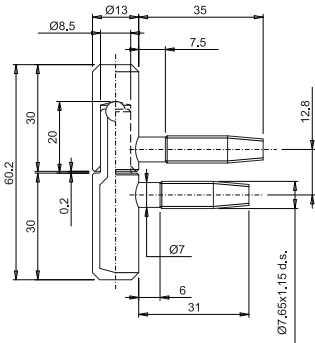
Yellow galvanised

CF 070 130 H0 02	gr 29,88	1x600=600	on demand
Female part		Box x pcs.Each	

CG 070 130 H0 02	gr 32,30	1x600=600	on demand
Male part		Box x pcs.Each	

CF 070 130 H1 07	gr 30,05	1x600=600	0,218
Female part		Box x pcs.Each	

CG 070 130 H1 09	gr 31,95	1x600=600	0,223
Male part		Box x pcs.Each	Tot. 0,441



070 Ø13 WASISTAS



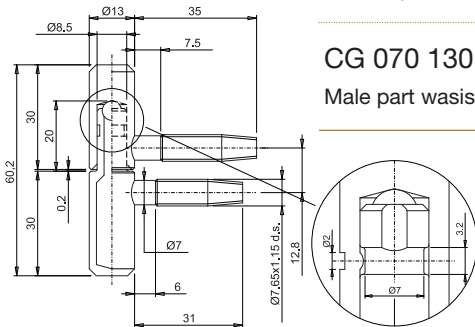
Yellow galvanised

CF 070 130 H0 04	gr 30,05	1x600=600	0,328
Female part wasistas		Box x pcs.Each	

CG 070 130 H0 06	gr 31,44	1x600=600	0,433
Male part wasistas		Box x pcs.Each	Tot. 0,761

CF 070 130 H1 06	gr 30,05	1x600=600	on demand
Female part wasistas		Box x pcs.Each	

CG 070 130 H1 08	gr 31,44	1x600=600	on demand
Male part wasistas		Box x pcs.Each	



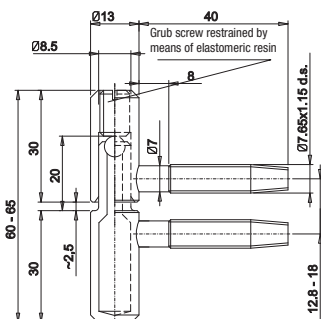
070 Ø13 ADJUSTABLE

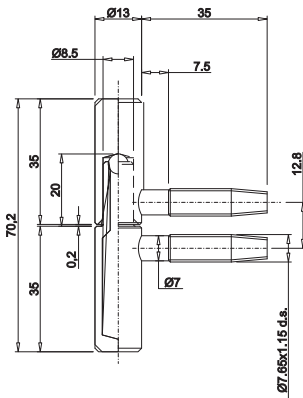


Yellow galvanised

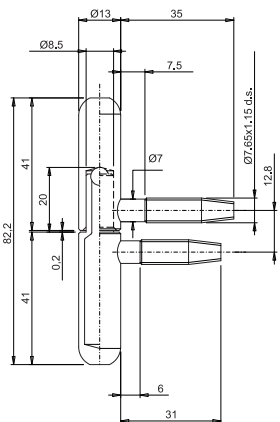
CF 070 130 H1 17	gr 31,04	1x550=550	1,183
Adjustable female part		Box x pcs.Each	

CG 070 130 H1 16	gr 35,11	1x550=550	0,333
Male part		Box x pcs.Each	Tot. 1,516



075 Ø13


CF 075 130 B0 05 Female part	gr 35,25	Bronze plated	4x110=440 Box x pcs.Each	0,313
CG 075 130 B0 05 Male part	gr 37,09	Bronze plated	4x110=440 Box x pcs.Each	0,328 Tot. 0,641
CF 075 130 H0 04 Female part	gr 35,30	Zinc plated	1x500=500 Box x pcs.Each	0,238
CG 075 130 H0 04 Male part	gr 36,82	Zinc plated	1x500=500 Box x pcs.Each	0,278 Tot. 0,516
CF 075 130 H1 11 Female part	gr 35,38	Yellow galvanized	1x500=500 Box x pcs.Each	0,238
CG 075 130 H1 09 Male part	gr 37,66	Yellow galvanized	1x500=500 Box x pcs.Each	0,278 Tot. 0,516
CF 075 130 O0 05 Female part	gr 35,25	Brass plated	4x110=440 Box x pcs.Each	0,300
CG 075 130 O0 05 Male part	gr 37,09	Brass plated	4x110=440 Box x pcs.Each	0,373 Tot. 0,673

085 Ø13


CF 085 130 B0 04 Female part	gr 40,29	Bronze plated	1x450=450 Box x pcs.Each	0,333
CG 085 130 B0 06 Male part	gr 41,00	Bronze plated	1x450=450 Box x pcs.Each	0,350 Tot. 0,683
CF 085 130 H0 02 Female part	gr 39,95	Zinc plated	1x450=450 Box x pcs.Each	0,275
CG 085 130 H0 04 Male part	gr 40,20	Zinc plated	1x450=450 Box x pcs.Each	0,290 Tot. 0,565
CF 0851 30 H1 07 Female part	gr 40,29	Yellow galvanized	1x450=450 Box x pcs.Each	0,275
CG 085 130 H1 07 Male part	gr 41,00	Yellow galvanized	1x450=450 Box x pcs.Each	0,293 Tot. 0,568
CF 085 130 O0 04 Female part	gr 39,52	Brass plated	4x100=400 Box x pcs.Each	0,330
CG 085 130 O0 04 Male part	gr 40,62	Brass plated	4x100=400 Box x pcs.Each	0,398 Tot. 0,728



CF 085 140 B0 03 gr 48,32 4x90=360 0,383
Female part Bronze plated Box x pcs.Each

CG 085 140 B0 03 gr 49,02 4x90=360 0,458
Male part Bronze plated Box x pcs.Each **Tot. 0,841**

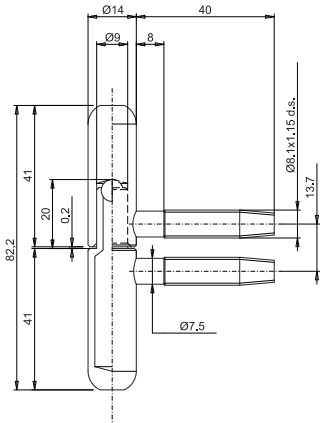
CF 085 140 H1 05 gr 48,32 4x90=360 0,323
Female part Yellow galvanised Box x pcs.Each

CG 085 140 H1 05 gr 49,02 4x90=360 0,388
Male part Yellow galvanised Box x pcs.Each **Tot. 0,711**

CF 085 140 O0 03 gr 48,32 4x90=360 0,420
Female part Brass plated Box x pcs.Each

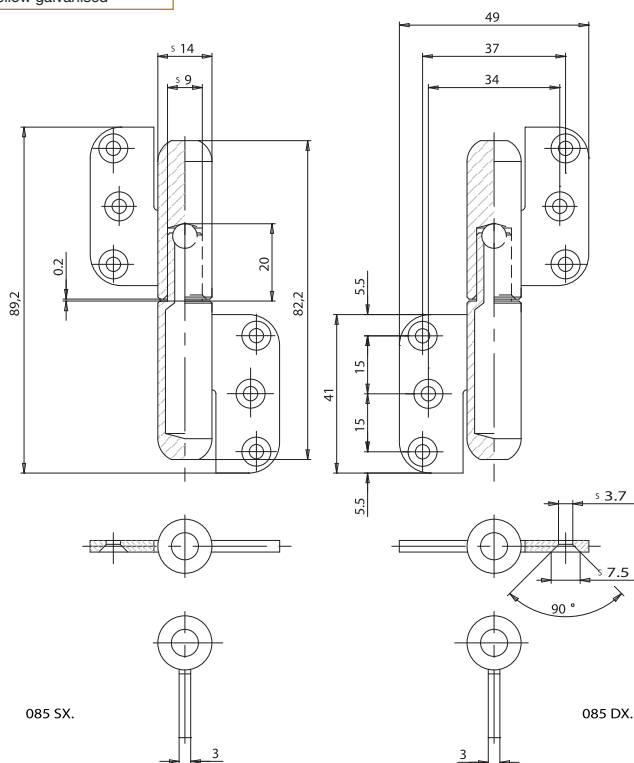
CG 085 140 O0 03 gr 49,02 4x90=360 0,500
Male part Brass plated Box x pcs.Each **Tot. 0,920**

CI 085 140 T1 02 gr 100,05 4x40=160 2,800
Male part + Female part Satinized chrome plated Box x pcs.Each



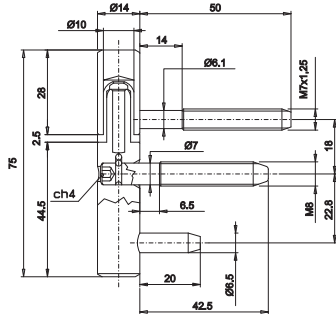
CI 085 140 H1 02 gr 99,04 4x50=200 1,680
Male part + Female part (left) Yellow galvanised Box x pcs.Each

CI 085 140 H1 04 gr 99,04 4x50=200 1,680
Male part + Female part (right) Yellow galvanised Box x pcs.Each



095 Ø14


Static nickel plated



CI 095 140 N1 06

gr 105,35

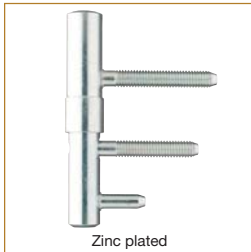
Male part with 2 pins, Adjustable + Female part with nylon bush

Static nickel plated

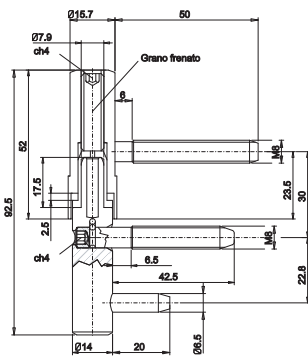
18x10=180

Box x pcs.Each

2,625

096 Ø16


Zinc plated



CF 096 160 H0 04

gr 71,97

Adjustable female part with nylon bush

Zinc plated

1x260=260

Box x pcs.Each

on demand

CG 095 140 H0 06

gr 73,27

Male part with 2 pins, adjustable

Zinc plated

1x260=260

Box x pcs.Each

on demand

096 Ø16 (right and left plate)

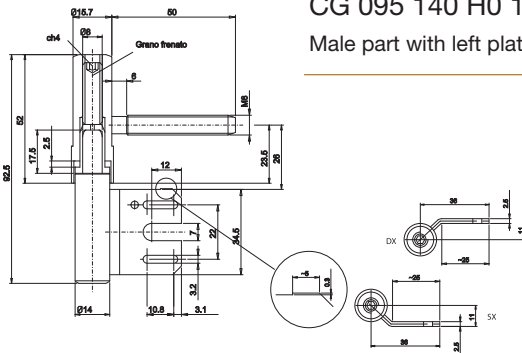


CF 096 160 H0 04	gr 71,97	1x260=260	on demand
Adjustable female part with nylon bush	Zinc plated	Box x pcs.Each	

CG 095 140 H0 09	gr 78,37	1x260=260	on demand
Male part with right plate	Zinc plated	Box x pcs.Each	

CF 096 160 H0 04	gr 71,97	1x260=260	on demand
Adjustable female part with nylon bush	Zinc plated	Box x pcs.Each	

CG 095 140 H0 11	gr 78,37	1x260=260	on demand
Male part with left plate	Zinc plated	Box x pcs.Each	



100 Ø13,5

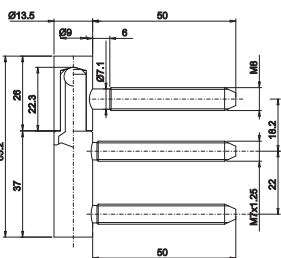


CF 100 135 H0 02	gr 32,32	1x500=500	0,263
Female part	Zinc plated	Box x pcs.Each	

CG 100 135 H0 02	gr 55,85	1x250=250	0,525
Male part with 2 pins	Zinc plated	Box x pcs.Each	Tot. 0,788

CF 100 135 H1 02	gr 32,32	1x500=500	0,263
Female part	Yellow galvanised	Box x pcs.Each	

CG 100 135 H1 02	gr 55,85	1x250=250	0,553
Male part with 2 pins	Yellow galvanised	Box x pcs.Each	Tot. 0,816



CF 100 135 N0 02	gr 32,32	1x500=500	0,328
Female part	Nickel plated	Box x pcs.Each	

CG 100 135 N0 02	gr 55,85	1x250=250	on demand
Male part with 2 pins	Nickel plated	Box x pcs.Each	

CF 100 135 O0 02	gr 32,32	1x500=500	0,343
Female part	Brass plated	Box x pcs.Each	

CG 100 135 O0 02	gr 55,85	1x250=250	on demand
Male part with 2 pins	Brass plated	Box x pcs.Each	

100 Ø15

CF 100 150 B1 05
Female part

gr 52,04

Special bronze plated

 1x300=300
Box x pcs.Each

0,500

CG 100 150 B1 16
Male part with 2 pins

gr 65,16

Special bronze plated

 1x200=200
Box x pcs.Each

 0,793
Tot. 1,293
CF 100 150 H0 04
Female part

gr 52,04

Zinc plated

 1x300=300
Box x pcs.Each

0,323

CG 100 150 H0 17
Male part with 2 pins

gr 62,80

Zinc plated

 1x200=200
Box x pcs.Each

 0,553
Tot. 0,876
CF 100 150 H1 03
Female part

gr 52,04

Yellow galvanised

 1x300=300
Box x pcs.Each

0,343

CG 100 150 H1 11
Male part with 2 pins

gr 65,16

Yellow galvanised

 1x200=200
Box x pcs.Each

on demand

CF 100 150 N0 07
Female part

gr 52,04

Nickel plated

 1x300=300
Box x pcs.Each

0,420

CG 100 150 N0 26
Male part with 2 pins

gr 65,16

Nickel plated

 1x200=200
Box x pcs.Each

 0,683
Tot. 1,103
CF 100 150 O0 04
Female part

gr 52,04

Brass plated

 1x300=300
Box x pcs.Each

0,485

CG 100 150 O0 13
Male part with 2 pins

gr 65,16

Brass plated

 1x200=200
Box x pcs.Each

 0,740
Tot. 1,225
CF 100 150 P3 03
Female part

gr 52,18

White plastified (RAL 9010) Box x pcs.Each

4x60=240

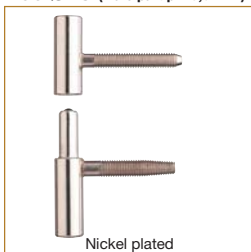
0,630

CG 100 150 P3 07
Male part with 2 pins

gr 64,53

White plastified (RAL 9010) Box x pcs.Each

4x60=240

 0,920
Tot. 1,550
100 Ø15 (Male part pin 8,6 x 47)

CF 100 150 N0 07
Female part

gr 52,04

Nickel plated

 1x300=300
Box x pcs.Each

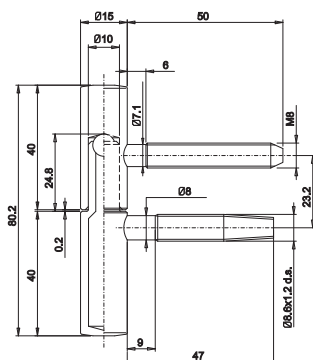
0,420

CG 100 150 N0 30
Male part

gr 53,00

Nickel plated

 1x300=300
Box x pcs.Each

 0,788
Tot. 1,208




CF 100 150 B1 05 gr 52,04 1x300=300 0,500
Female part Special bronze plated Box x pcs.Each

CG 101 150 B1 11 gr 67,21 1x200=200 0,920
Male part with 2 pins with nylon bush Special bronze plated Box x pcs.Each **Tot. 1,420**

CF 100 150 N0 07 gr 52,04 1x300=300 0,420
Female part Nickel plated Box x pcs.Each

CG 101 150 N0 11 gr 67,21 1x200=200 0,855
Male part with 2 pins with nylon bush Nickel plated Box x pcs.Each **Tot. 1,275**

CF 100 150 N4 02 gr 52,04 1x300=300 1,050
Female part Matt nickel plated Box x pcs.Each

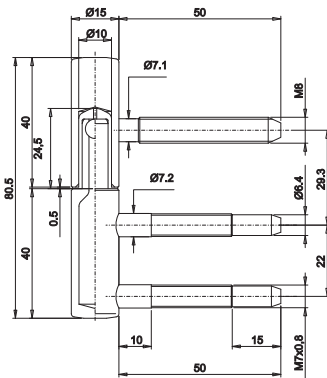
CG 101 150 N4 06 gr 67,24 1x200=200 1,575
Male part with 2 pins with nylon bush Matt nickel plated Box x pcs.Each **Tot. 2,625**

CF 100 150 O0 04 gr 52,04 1x300=300 0,485
Female part Brass plated Box x pcs.Each

CG 101 150 O0 10 gr 67,21 1x200=200 0,860
Male part with 2 pins with nylon bush Brass plated Box x pcs.Each **Tot. 1,345**

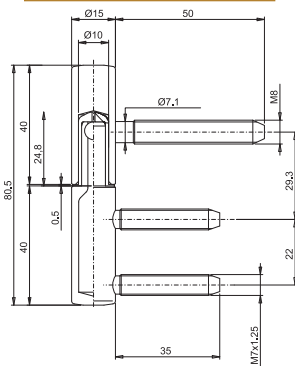
CI 101 150 K1 03 gr 122,88 4x25=100 4,463
Male part with 2 pins with nylon bush + Female p. SimilOro Box x pcs.Each

CI 101 150 T1 02 gr 122,88 4x25=100 4,200
Male part with 2 pins with nylon bush + Female p. Satinized chrome plated Box x pcs.Each



CF 100 150 N0 07 gr 52,04 1x300=300 0,420
Female part Nickel plated Box x pcs.Each

CG 101 150 N0 18 gr 55,66 1x200=200 1,050
Male part with 2 pins (M7 x 35) Nickel plated Box x pcs.Each **Tot. 1,470**



102 Ø15


CF 100 150 H0 04	gr 52,04	1x300=300	0,323
Female part		Box x pcs.Each	

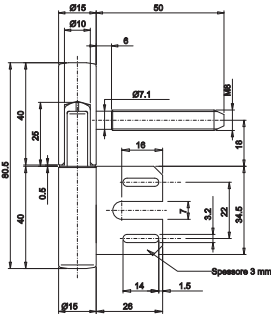
CG 102 150 H0 03	gr 56,73	1x250=250	1,075
Male part with plate		Box x pcs.Each	Tot. 1,398

CF 100 150 N0 07	gr 52,04	1x300=300	0,420
Female part		Box x pcs.Each	

CG 102 150 N0 03	gr 56,73	1x250=250	1,218
Male part with plate		Box x pcs.Each	Tot. 1,638

CF 100 150 N4 02	gr 52,04	1x300=300	1,050
Female part		Box x pcs.Each	

CG 102 150 N4 03	gr 56,73	1x250=250	1,838
Male part with plate		Box x pcs.Each	Tot. 2,888


103 Ø15

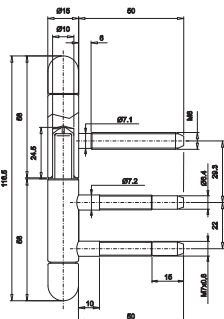

CF 103 150 N4 02	gr 62,82	8x20=160	1,575
Female part		Box x pcs.Each	

CG 103 150 N4 03	gr 95,32	8x20=160	2,625
Male part with 2 pins with nylon bush		Box x pcs.Each	Tot. 4,200

CI 103 150 K1 02	gr 159,65	8x10=80	7,483
Male part with 2 pins with nylon bush + Female p.		Box x pcs.Each	

CI 103 150 T0 02	gr 159,65	8x10=80	5,250
Male part with 2 pins with nylon bush + Female p.		Box x pcs.Each	

CI 103 150 T1 02	gr 162,88	8x25=200	4,595
Male part with 2 pins with nylon bush + Female p.		Box x pcs.Each	

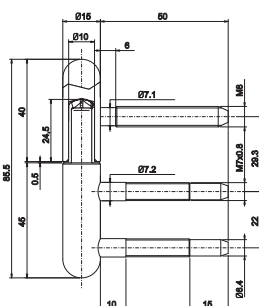

104 Ø15


CF 104 150 N0 02	gr 47,97	1x300=300	0,485
Female part		Box x pcs.Each	

CG 104 150 N0 03	gr 85,80	1x200=200	0,970
Male part with 2 pins with nylon bush		Box x pcs.Each	Tot. 1,455

CI 104 150 N4 02	gr 131,77	4x35=140	2,980
Male part with 2 pins with nylon bush + Female p.		Box x pcs.Each	

CI 104 150 T1 02	gr 136,08	4x25=100	4,070
Male part with 2 pins with nylon bush + Female p.		Box x pcs.Each	



180 Ø16


CF 180 160 B1 04
Female part

gr 46,31

Special bronze plated

4x70=280
Box x pcs.Each

1,093

CG 180 160 B1 06
Male part

gr 64,60

Special bronze plated

4x70=280
Box x pcs.Each

1,235
Tot. **2,328**

CF 180 160 O0 04
Female part

gr 46,31

Brass plated

4x70=280
Box x pcs.Each

1,080

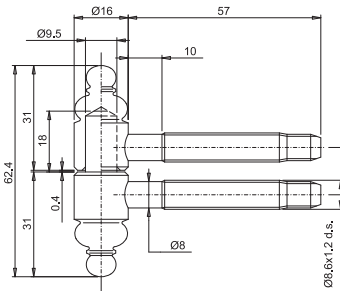
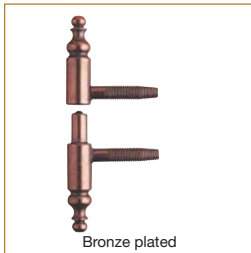
CG 180 160 O0 04
Male part

gr 64,60

Brass plated

4x70=280
Box x pcs.Each

1,218
Tot. **2,298**


190 Ø13


CF 190 130 B0 06
Female part

gr 36,72

Bronze plated

4x100=400
Box x pcs.Each

0,358

CG 190 130 B0 06
Male part

gr 37,12

Bronze plated

4x100=400
Box x pcs.Each

0,378
Tot. **0,736**

CF 190 130 B1 10
Female part

gr 36,72

Special bronze plated

4x100=400
Box x pcs.Each

0,398

CG 190 130 B1 12
Male part

gr 37,12

Special bronze plated

4x100=400
Box x pcs.Each

0,418
Tot. **0,816**

CF 190 130 E0 02
Female part

gr 36,72

Otlav Patiné

4x100=400
Box x pcs.Each

0,985

CG 190 130 E0 02
Male part

gr 37,12

Otlav Patiné

4x100=400
Box x pcs.Each

0,985
Tot. **1,970**

CF 190 130 G0 08
Female part

gr 37,16

Natural

1x500=500
Box x pcs.Each

0,315

CG 190 130 G0 08
Male part

gr 38,00

Natural

1x500=500
Box x pcs.Each

0,328
Tot. **0,643**

CF 190 130 G2 04
Female part

gr 37,16

Varnished phosphatized

1x500=500
Box x pcs.Each

0,433

CG 190 130 G2 04
Male part

gr 38,00

Varnished phosphatized

1x500=500
Box x pcs.Each

0,460
Tot. **0,893**

CF 190 130 H0 05
Female part

gr 36,71

Zinc plated

1x500=500
Box x pcs.Each

0,328

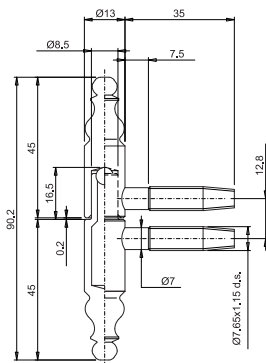
CG 190 130 H0 05
Male part

gr 38,29

Zinc plated

1x500=500
Box x pcs.Each

0,355
Tot. **0,683**

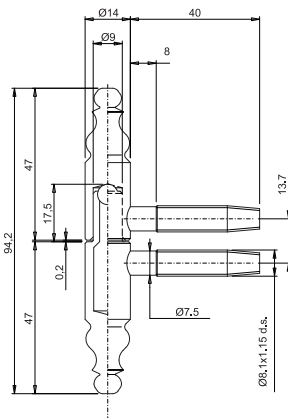


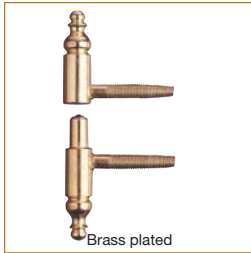
CODE	WEIGHT	PACKING	€
Description	Finishing	Box	Price per piece
CF 190 130 H1 06 Female part	gr 37,16 Yellow galvanised	1x500=500 Box x pcs.Each	0,315
CG 190 130 H1 08 Male part	gr 38,00 Yellow galvanised	1x500=500 Box x pcs.Each	0,328 Tot. 0,643
CF 190 130 H2 05 Female part	gr 37,16 Black varnished zinc plated	1x500=500 Box x pcs.Each	0,380
CG 190 130 H2 05 Male part	gr 38,00 Black varnished zinc plated	1x500=500 Box x pcs.Each	0,433 Tot. 0,813
CF 190 130 H3 02 Female part	gr 36,72 Black engraved zinc plated	4x100=400 Box x pcs.Each	1,340
CG 190 130 H3 02 Male part	gr 37,12 Black engraved zinc plated	4x100=400 Box x pcs.Each	1,445 Tot. 2,785
CF 190 130 O0 06 Female part	gr 36,72 Brass plated	4x100=400 Box x pcs.Each	0,388
CG 190 130 O0 06 Male part	gr 37,12 Brass plated	4x100=400 Box x pcs.Each	0,408 Tot. 0,796
CF 190 130 R0 04 Female part	gr 37,16 Burnished	1x500=500 Box x pcs.Each	0,328
CG 190 130 R0 04 Male part	gr 38,00 Burnished	1x500=500 Box x pcs.Each	0,328 Tot. 0,656
CF 190 140 B0 04 Female part	gr 46,90 Bronze plated	4x80=320 Box x pcs.Each	0,433
CG 190 140 B0 04 Male part	gr 45,40 Bronze plated	4x80=320 Box x pcs.Each	0,448 Tot. 0,881
CF 190 140 H1 04 Female part	gr 46,90 Yellow galvanised	4x80=320 Box x pcs.Each	0,368
CG 190 140 H1 04 Male part	gr 45,40 Yellow galvanised	4x80=320 Box x pcs.Each	0,380 Tot. 0,748
CF 190 140 N0 02 Female part	gr 46,90 Nickel plated	4x80=320 Box x pcs.Each	0,405
CG 190 140 N0 02 Male part	gr 45,40 Nickel plated	4x80=320 Box x pcs.Each	0,475 Tot. 0,880
CF 190 140 O0 04 Female part	gr 46,90 Brass plated	4x80=320 Box x pcs.Each	0,460
CG 190 140 O0 04 Male part	gr 45,40 Brass plated	4x80=320 Box x pcs.Each	0,485 Tot. 0,945

190 Ø14

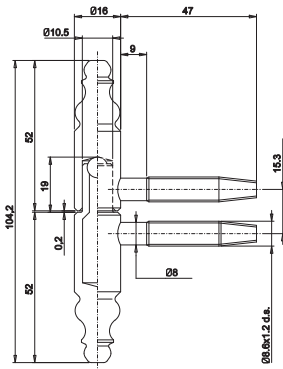


Bronze plated



190 Ø16


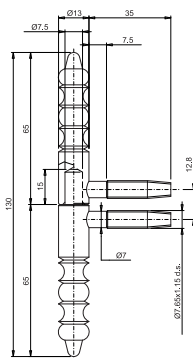
Brass plated



CF 190 160 B0 04 Female part	gr 67,64	Bronze plated	4x50=200 Box x pcs.Each	0,678
CG 190 160 B0 04 Male part	gr 69,44	Bronze plated	4x50=200 Box x pcs.Each	0,695 Tot. 1,373
CF 190 160 B1 04 Female part	gr 67,64	Special bronze plated	4x50=200 Box x pcs.Each	0,750
CG 190 160 B1 04 Male part	gr 69,44	Special bronze plated	4x50=200 Box x pcs.Each	0,770 Tot. 1,520
CF 190 160 E0 02 Female part	gr 67,64	Otlav Patiné	4x50=200 Box x pcs.Each	1,708
CG 190 160 E0 02 Male part	gr 69,44	Otlav Patiné	4x50=200 Box x pcs.Each	1,640 Tot. 3,348
CF 190 160 G2 04 Female part	gr 67,64	Varnished phosphatized	4x50=200 Box x pcs.Each	0,750
CG 190 160 G2 04 Male part	gr 69,44	Varnished phosphatized	4x50=200 Box x pcs.Each	0,770 Tot. 1,520
CF 190 160 H1 02 Female part	gr 67,64	Yellow galvanised	4x50=200 Box x pcs.Each	0,580
CG 190 160 H1 02 Male part	gr 69,44	Yellow galvanised	4x50=200 Box x pcs.Each	0,595 Tot. 1,175
CF 190 160 O0 02 Female part	gr 67,64	Brass plated	4x50=200 Box x pcs.Each	0,733
CG 190 160 O0 02 Male part	gr 69,44	Brass plated	4x50=200 Box x pcs.Each	0,750 Tot. 1,483

210 Ø13

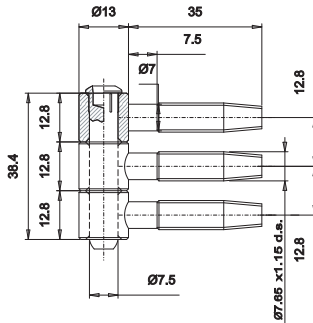

Otlav Patiné



CF 210 130 B0 04 Female part	gr 53,34	Bronze plated	1x300=300 Box x pcs.Each	0,788
CG 210 130 B0 06 Male part	gr 63,97	Bronze plated	1x300=300 Box x pcs.Each	0,883 Tot. 1,671
CF 210 130 E0 02 Female part	gr 54,03	Otlav Patiné	4x75=300 Box x pcs.Each	1,708
CG 210 130 E0 02 Male part	gr 63,36	Otlav Patiné	4x75=300 Box x pcs.Each	1,838 Tot. 3,546
CF 210 130 G0 06 Female part	gr 53,34	Natural	1x300=300 Box x pcs.Each	0,710
CG 210 130 G0 06 Male part	gr 63,97	Natural	1x300=300 Box x pcs.Each	0,788 Tot. 1,498

300 Ø13


Yellow galvanized


 CI 300 130 H0 03
3 Bushes + pivot

gr 68,11

Zinc plated

 4x75=300
Box x pcs.Each

0,658

 CI 300 130 H1 10
3 Bushes + pivot

gr 66,56

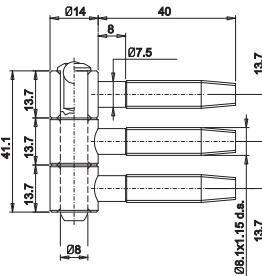
Yellow galvanized

 4x75=300
Box x pcs.Each

0,658

300 Ø14


Bronze plated


 CI 300 140 B0 04
3 Bushes + pivot

gr 83,37

Bronze plated

 4x60=240
Box x pcs.Each

1,050

 CI 300 140 H0 02
3 Bushes + pivot

gr 84,87

Zinc plated

 4x60=240
Box x pcs.Each

0,945

 CI 300 140 H1 12
3 Bushes + pivot

gr 83,37

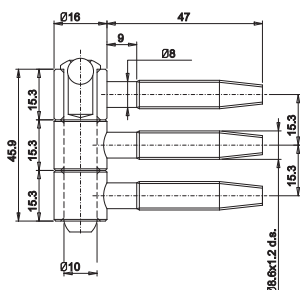
Yellow galvanized

 4x60=240
Box x pcs.Each

0,945

300 Ø16


Yellow galvanized


 CI 300 160 B0 04
3 Bushes + pivot

gr 120,05

Bronze plated

 4x40=160
Box x pcs.Each

1,313

 CI 300 160 H0 02
3 Bushes + pivot

gr 120,05

Zinc plated

 4x40=160
Box x pcs.Each

1,025

 CI 300 160 H1 04
3 Bushes + pivot

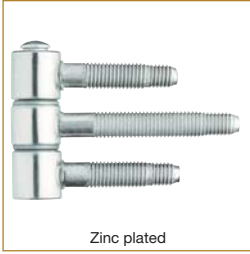
gr 120,05

Yellow galvanized

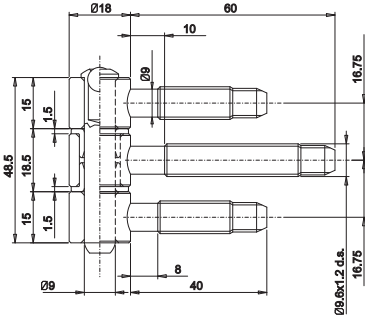
 4x40=160
Box x pcs.Each

0,998

310 Ø18 R (Pin 40/60/40)



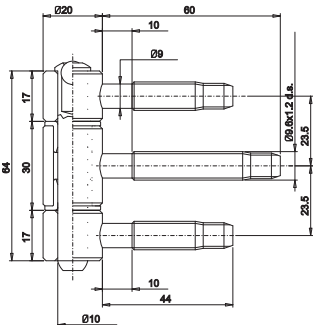
CI 310 180 H0 17	gr 147,45	8x20=160	2,515
3 Bushes with nylon ring + pivot	Zinc plated	Box x pcs.Each	



310 Ø20 HR (Pin 44/60/44)



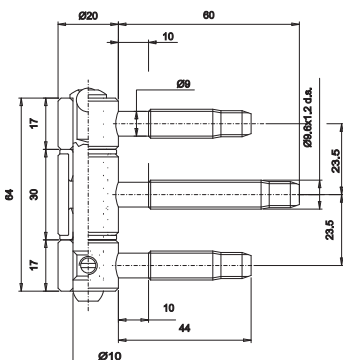
CI 310 200 H0 10	gr 205,90	8x10=80	2,645
3 Bushes with nylon ring + pivot	Zinc plated	Box x pcs.Each	



310 Ø20 HR wasistas (Pin 44/60/44)



CI 310 200 H0 12	gr 200,23	8x10=80	on demand
3 Bushes with nylon ring + pivot, wasistas	Zinc plated	Box x pcs.Each	



310 Ø22 HR

 CI 310 220 H0 08
3 Bushes with nylon ring + pivot

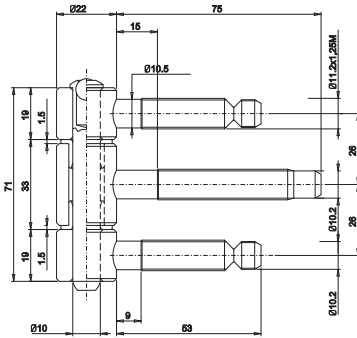
gr 302,35

Zinc plated

8x10=80

Box x pcs.Each

7,220


310 Ø22 HR WASISTAS

 CI 310 220 H0 09
3 Bushes with nylon ring + pivot, wasistas

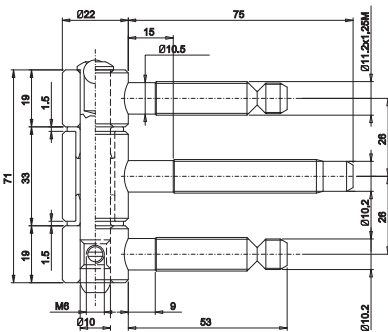
gr 295,90

Zinc plated

8x10=80

Box x pcs.Each

8,138


310 Ø25 HR

 CI 310 250 H0 11
3 Bushes with nylon ring + pivot

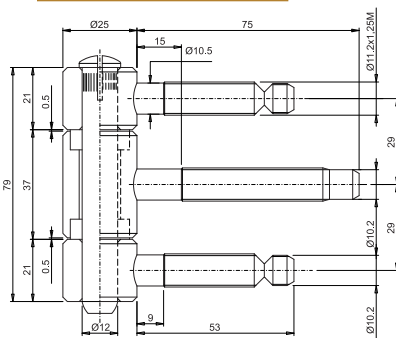
gr 379,83

Zinc plated

8x6=48

Box x pcs.Each

18,768



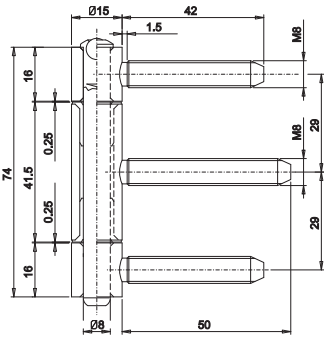
320 Ø15


CI 320 150 H0 02	gr 131,16	4x40=160	on demand
3 Bushes with nylon ring + pivot	Zinc plated	Box x pcs.Each	

CI 320 150 H1 07	gr 126,55	4x40=160	2,165
3 Bushes with nylon ring + pivot	Yellow galvanised	Box x pcs.Each	

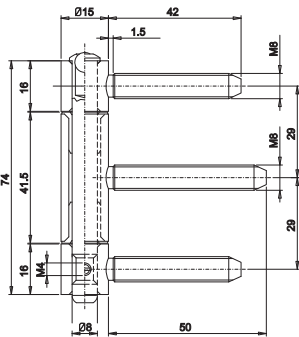
CI 320 150 K1 02	gr 126,55	4x40=160	5,250
3 Bushes with nylon ring + pivot	SimilOro	Box x pcs.Each	

CI 320 150 N0 02	gr 126,55	4x40=160	2,233
3 Bushes with nylon ring + pivot	Nickel plated	Box x pcs.Each	


320 Ø15 WASISTAS


CI 320 150 H0 04	gr 122,05	4x40=160	on demand
3 Bushes with nylon ring + pivot, wasistas	Zinc plated	Box x pcs.Each	

CI 320 150 H1 08	gr 122,05	4x40=160	3,020
3 Bushes with nylon ring + pivot, wasistas	Yellow galvanised	Box x pcs.Each	

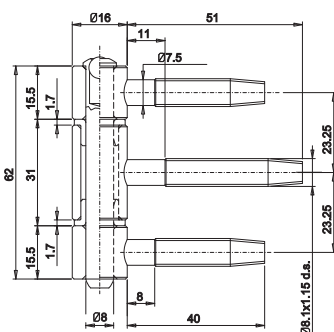

320 Ø16

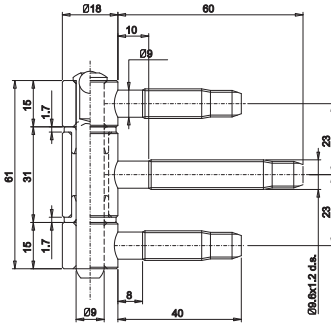

CI 320 160 B0 04	gr 123,30	4x40=160	1,838
3 Bushes with nylon ring + pivot	Bronze plated	Box x pcs.Each	

CI 320 160 H0 04	gr 123,30	4x40=160	1,575
3 Bushes with nylon ring + pivot	Zinc plated	Box x pcs.Each	

CI 320 160 H1 14	gr 123,30	4x40=160	1,575
3 Bushes with nylon ring + pivot	Yellow galvanised	Box x pcs.Each	

CI 320 160 O0 06	gr 123,30	4x40=160	1,838
3 Bushes with nylon ring + pivot	Brass plated	Box x pcs.Each	



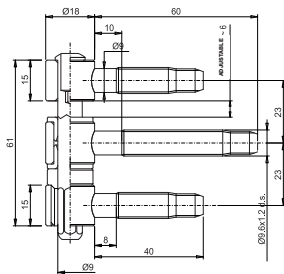
320 Ø18


CI 320 180 B0 04	gr 171,40		4x30=120	2,233
3 Bushes with nylon ring + pivot		Bronze plated	Box x pcs.Each	

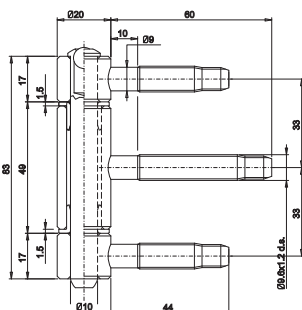
CI 320 180 H0 08	gr 171,13		4x30=120	2,165
3 Bushes with nylon ring + pivot		Zinc plated	Box x pcs.Each	

CI 320 180 H1 04	gr 171,40		4x30=120	2,165
3 Bushes with nylon ring + pivot		Yellow galvanized	Box x pcs.Each	

CI 320 180 O0 06	gr 171,40		4x30=120	2,495
3 Bushes with nylon ring + pivot		Brass plated	Box x pcs.Each	

320 Ø18 ADJUSTABLE


CI 320 180 H0 12	gr 159,06		4x30=120	3,808
3 Bushes with nylon ring + pivot		Zinc plated	Box x pcs.Each	

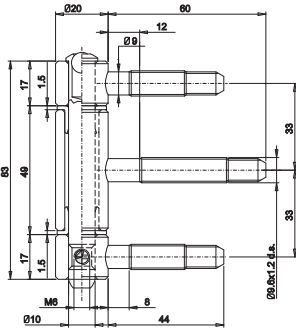
320 Ø20


CI 320 200 B0 08	gr 245,10		4x20=80	3,283
3 Bushes with nylon ring + pivot		Bronze plated	Box x pcs.Each	

CI 320 200 H0 06	gr 242,42		4x20=80	2,888
3 Bushes with nylon ring + pivot		Zinc plated	Box x pcs.Each	

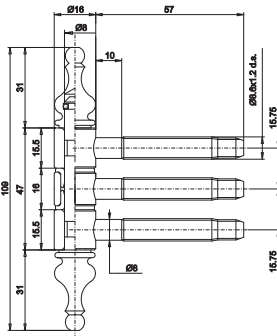
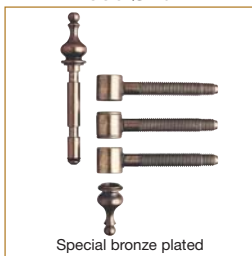
CI 320 200 H1 14	gr 245,10		4x20=80	2,888
3 Bushes with nylon ring + pivot		Yellow galvanized	Box x pcs.Each	

CI 320 200 O0 08	gr 245,10		4x20=80	3,478
3 Bushes with nylon ring + pivot		Brass plated	Box x pcs.Each	

320 Ø20 WASISTAS


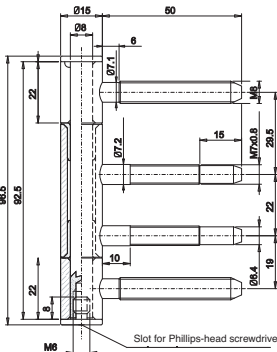
CI 320 200 H0 04	gr 242,42	4x20=80	4,333
3 Bushes with nylon ring + pivot, wasistas		Zinc plated	Box x pcs.Each

CI 320 200 H1 15	gr 244,60	4x20=80	4,463
3 Bushes with nylon ring + pivot, wasistas		Yellow galvanised	Box x pcs.Each

330 Ø16


CI 330 160 B1 06	gr 158,73	4x30=120	4,988
3 Bushes with nylon ring + pivot with head + 1 head		Special bronze plated	Box x pcs.Each

CI 330 160 O0 08	gr 158,73	4x30=120	4,988
3 Bushes with nylon ring + pivot with head + 1 head		Brass plated	Box x pcs.Each

335 Ø15


CI 335 150 K1 07	gr 170,08	4x25=100	9,188
3 Bushes with nylon ring + pivot with head + 1 head		SimilOro	Box x pcs.Each

CI 335 150 N0 21	gr 170,08	4x25=100	3,283
3 Bushes with nylon ring + pivot with head + 1 head		Nickel plated	Box x pcs.Each

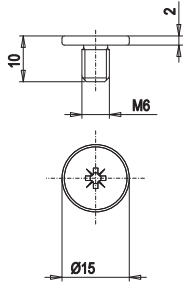
CI 335 150 N4 04	gr 170,08	4x25=100	5,250
3 Bushes with nylon ring + pivot with head + 1 head		Matt nickel plated	Box x pcs.Each

CI 335 150 T1 02	gr 170,08	4x25=100	9,188
3 Bushes with nylon ring + pivot with head + 1 head		Satinized chrome plated	Box x pcs.Each

TE 010 Ø15 TESTINA



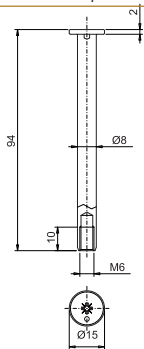
TE 010 150 N0 02	gr 3,72	8x400=3200	0,303
Head for art. 335 Ø15	Nickel plated	Box x pcs.Eac	



FP 094 Ø8 PIVOT



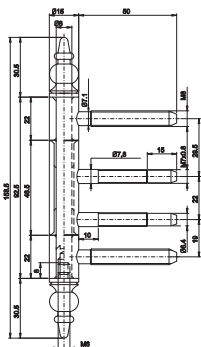
FP 094 080 N0 02	gr 34,72	4x100=400	1,313
Pivot for 335 Ø 15	Nickel plated	Box x pcs.Each	

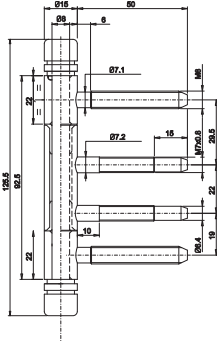


340 Ø15

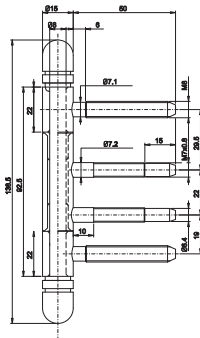


CI 340 150 K1 09	gr 208,80	4x15=60	10,500
3 Bushes with nylon ring + pivot with head + 1 head	SimilOro	Box x pcs.Each	

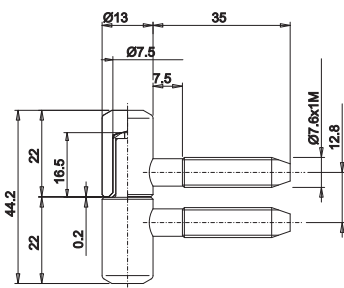


341 Ø15


CI 341 150 N4 04	gr 230,00	4x25=100	8,400
3 Bushes with nylon ring + pivot with head + 1 head		Matt nickel plated	Box x pcs.Each

343 Ø15


CI 343 150 K1 02	gr 216,48	4x25=100	14,438
3 Bushes with nylon ring + pivot with head + 1 head		SimilOro	Box x pcs.Each
CI 343 150 N0 02	gr 216,48	4x25=100	6,563
3 Bushes with nylon ring + pivot with head + 1 head		Nickel plated	Box x pcs.Each
CI 343 150 N4 02	gr 216,48	4x25=100	8,533
3 Bushes with nylon ring + pivot with head + 1 head		Matt nickel plated	Box x pcs.Each
CI 343 150 T0 02	gr 216,48	4x25=100	12,075
3 Bushes with nylon ring + pivot with head + 1 head		Chrome plated	Box x pcs.Each
CI 343 150 T1 02	gr 216,48	4x25=100	10,238
3 Bushes with nylon ring + pivot with head + 1 head		Satinized chrome plated	Box x pcs.Each

355 Ø13


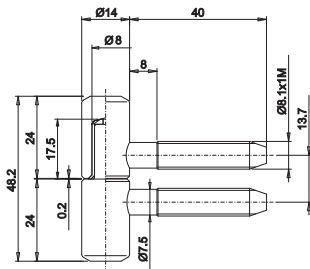
CI 355 130 IL 02	gr 65,05	2x40=80	9,188
Stainless steel hinge with nylon bush		Polished stainless steel	Box x pcs.Each
CI 355 130 IM 02	gr 65,05	2x40=80	8,138
Stainless steel hinge with nylon bush		Matt stainless steel	Box x pcs.Each

355 Ø14 Stainless steel



CI 355 140 IL 02	gr 82,80	2x40=80	9,975
Stainless steel hinge with nylon bush	Polished stainless steel	Box x pcs.Each	

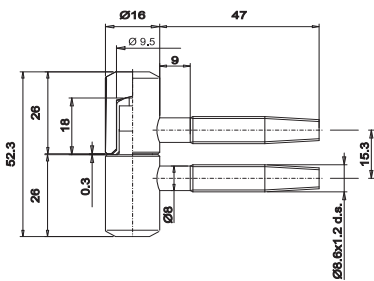
CI 355 140 IM 02	gr 82,80	2x40=80	8,925
Stainless steel hinge with nylon bush	Matt stainless steel	Box x pcs.Each	



355 Ø16 Stainless steel



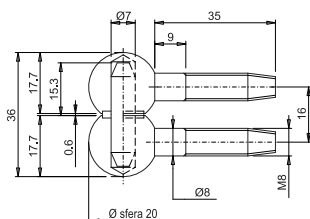
CI 355 160 IM 02	gr 111,30	2x40=80	13,125
Stainless steel hinge with nylon bush	Matt stainless steel	Box x pcs.Each	



390 Ø20



CI 390 200 L1 04	gr 88,52	4x40=160	10,000
2 Female parts in brass + pivot + nylon washer	Polished varnished	Box x pcs.Each	



393 Ø13


CI 393 130 L1 02
Male part + Female part in brass

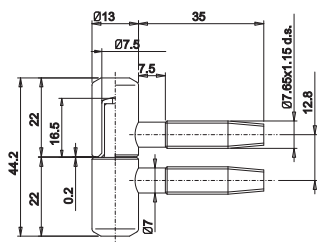
gr 63,80

Polished varnished

2x40=80

Box x pcs.Each

3,283


393 Ø14


CI 393 140 L1 02
Male part + Female part in brass

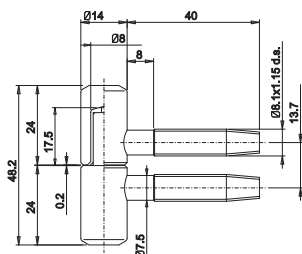
gr 75,30

Polished varnished

2x40=80

Box x pcs.Each

3,675


395 Ø16


CI 395 160 L1 04
Male part + Female part in brass

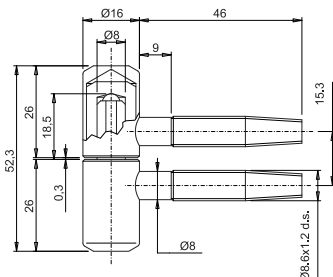
gr 102,05

Polished varnished

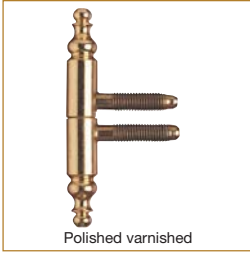
2x40=80

Box x pcs.Each

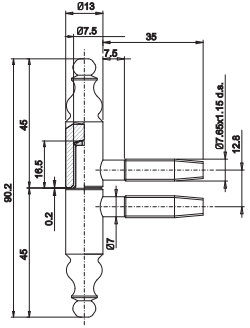
6,800



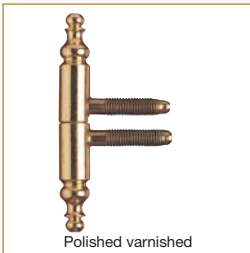
403 Ø13



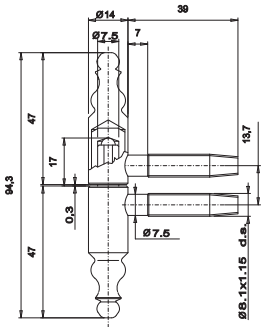
CI 403 130 L1 02	gr 90,00	2x20=40	4,300
Male part + Female part in brass	Polished varnished	Box x pcs.Each	



405 Ø14



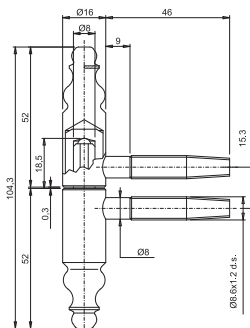
CI 405 140 L1 03	gr 106,95	4x45=180	4,463
Male part + Female part in brass	Polished varnished	Box x pcs.Each	



405 Ø16



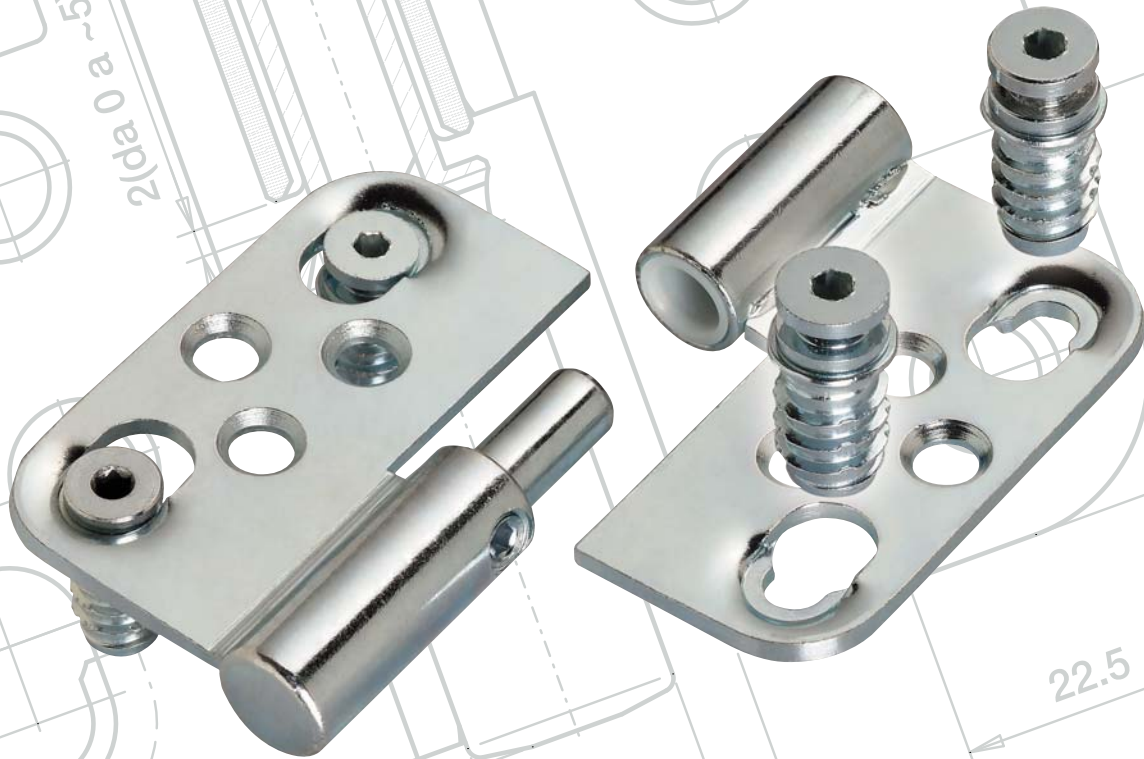
CI 405 160 L1 04	gr 152,10	2x20=40	6,300
Male part + Female part in brass	Polished varnished	Box x pcs.Each	



NORDEX



CAPS
GC 838 Ø17 Ø18
GC 846 Ø17
GC 839 Ø18



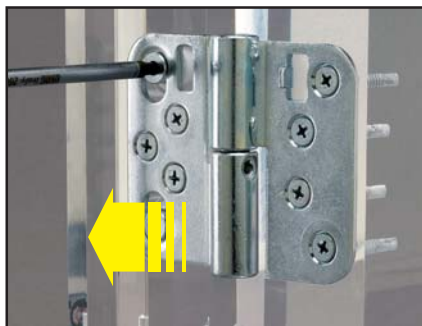
Nordex was put through a tough test in order to check its capacity and reliability over time and after a full 200,000 cycles of opening and closing, Nordex was still working perfectly. This excellent result is due to the particular resistance of the nylon bush inserted in the upper part of the hinge, which reduces wear of the pin to a minimum.

The excellent efficiency of its capacity was guaranteed by the 5 fixing points on each hinge plate, being more precise, there are 3 fixing screws and 2 adjustment pins.

Nordex is the adjustable flush hinge made by OTLAV® to make it really easy to adjust a flush door. There is a basic sequence to follow during assembly which enables you to adjust the door perfectly within the frame.



A really simple initial operation makes it possible to adjust an already assembled door.

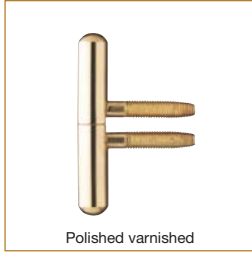


This way, an already assembled door can be adjusted at the side



A really simple operation allows a precise vertical adjustment with an already assembled door

409 Ø14



CI 409 140 L1 03
Male part + Female part in brass

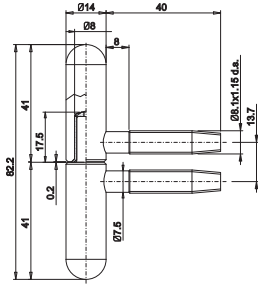
gr 90,60

Polished varnished

2x20=40

Box x pcs.Each

5,513



472 Ø14



CF 472 140 B0 02
Female part with 2 pins, adjustable, with nylon bush

gr 55,45

Bronze plated

4x65=260

on demand

CG 472 140 B0 02
Male part with 2 pins, adjustable

gr 85,3

Bronze plated

4x65=260

on demand

Box x pcs.Each

CF 472 140 H1 02
Female part with 2 pins, adjustable, with nylon bush

gr 55,45

Yellow galvanised

4x65=260

on demand

Box x pcs.Each

CG 472 140 H1 02
Male part with 2 pins, adjustable

gr 85,30

Yellow galvanised

4x65=260

on demand

Box x pcs.Each

CF 472 140 H5 02
Female part with 2 pins, adjustable, with nylon bush on loader

gr 55,45

Zinc plated 12 µ

1x171=171

on demand

Box x pcs.Each

CG 472 140 H5 02
Male part with 2 pins, adjustable on loader

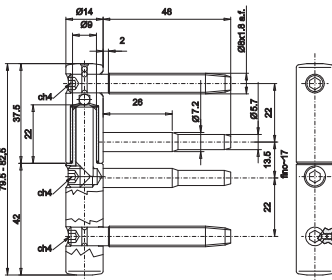
gr 85,30

Zinc plated 12 µ

1x171=171

on demand

Box x pcs.Each



484 Ø16 NORDEX



CI 484 160 H5 03
Male part + Female part adjustable, right

gr 254,88

Zinc plated 12 µ

4x25=100

8,200

Box x pcs.Each

CI 484 160 H5 04
Male part + Female part adjustable, left

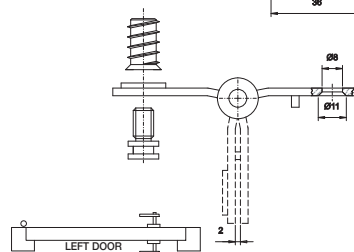
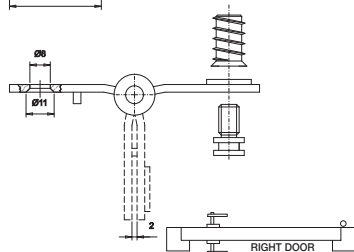
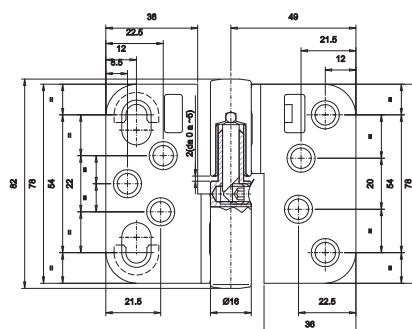
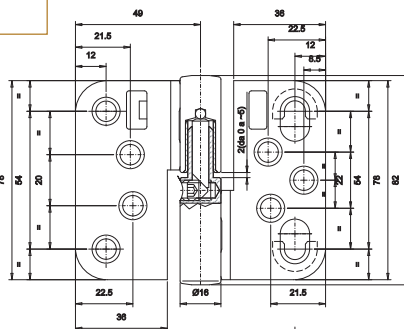
gr 254,88

Zinc plated 12 µ

4x25=100

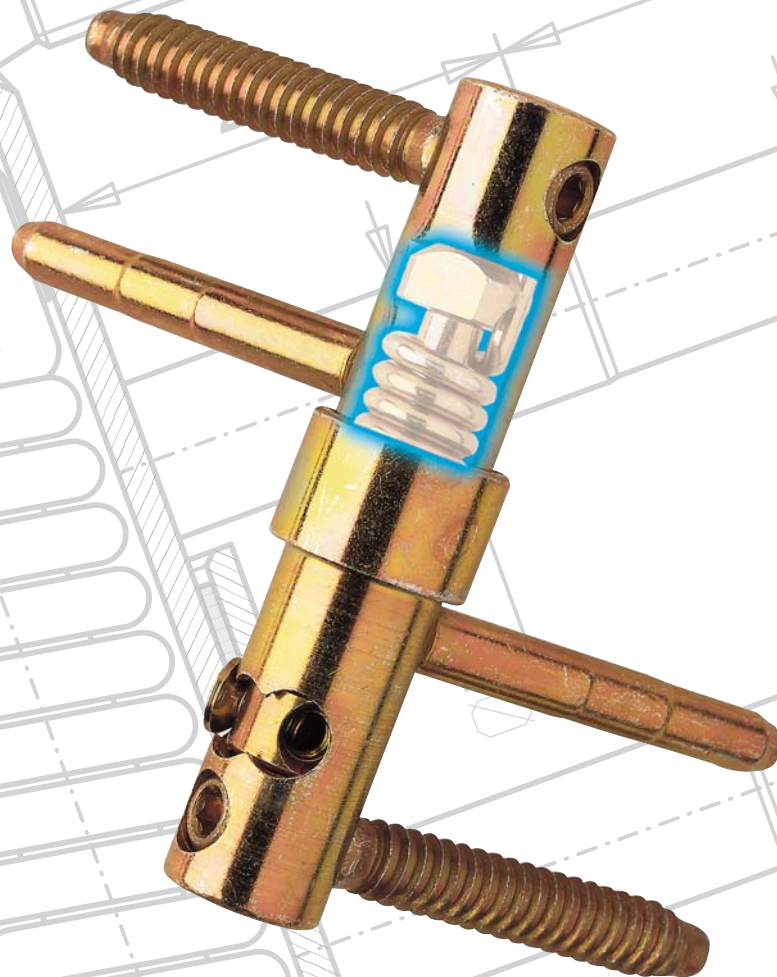
8,200

Box x pcs.Each



NEW

488 SELF CLOSING



CAPS
GC 838 Ø17 Ø18
GC 846 Ø17
GC 839 Ø18



TOOLS
MA 701 160 G0 35
MA 700 160 G0 06



DRILL BITS
MC 710 140 G0 04
MC 710 140 G0 06

The research and development of hinges for avant-guard doors and windows has always characterised OTLAV® products. The latest 488 SELF-CLOSING hinge was developed starting out from the widely tried and tested EXACTA® technology. It was designed in line with the growing demand from the world self-closing door market, at an increasingly contained cost.

The 488 SELF-CLOSING hinge, thanks to a revolutionary pin which makes the closing automation possible, supports the lateral component of the door weight with adjustable closing. For the vertical component of the weight, traditional EXACTA® hinges must be combined, which support the weight of the door, whilst at the same time ensure perfect vertical door adjustment.

The advantages of this new solution can clearly be seen particularly in large-scale applications, as in the case of hotel rooms.



1. By acting on the threaded pin it is possible to quickly fit the hinge using the appropriate hexagonal bit for electrical drill screws and then make the side precision adjustment using the special "T" wrench.



2/3. The speed and the force of the automatic closing, which also depends on the weight and size of the door, can easily be adjusted by varying the position of the special adjusting screw.

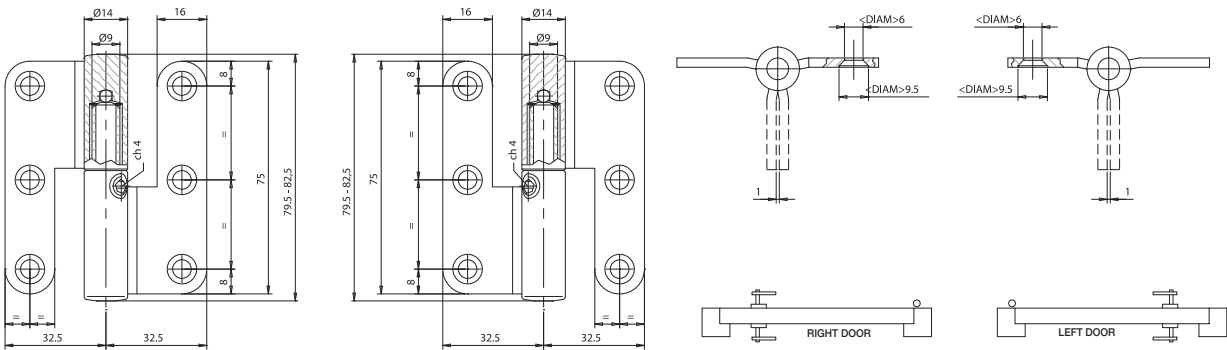
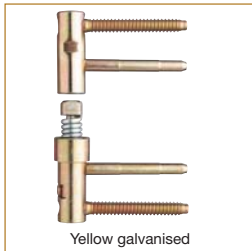


This operation is clearly illustrated in the mounting diagram supplied with the hinges.

POMELLAS

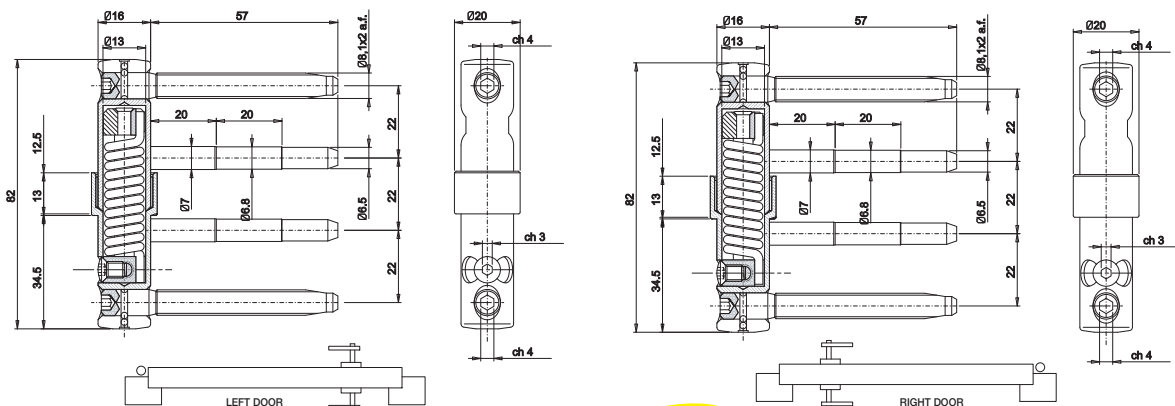

SimilOro

CI 485 140 B0 03	gr 150	Bronze Plated	4x30=120	5,770
Male + female on plates , right			Box x pcs.Each	
CI 485 140 B0 04	gr 150	Bronze Plated	4x30=120	5,770
Male + female on plates , left			Box x pcs.Each	
CI 485 140 H0 03	gr 150	Zinc Plated	4x30=120	5,770
Male + female on plates , right			Box x pcs.Each	
CI 485 140 H0 04	gr 150	Zinc Plated	4x30=120	5,770
Male + female on plates , left			Box x pcs.Each	
CI 485 140 K1 03	gr 150	SimilOro	4x30=120	10,490
Male + female on plates , right			Box x pcs.Each.	
CI 485 140 K1 04	gr 150	SimilOro	4x30=120	10,490
Male + female on plates , left			Box x pcs.Each	

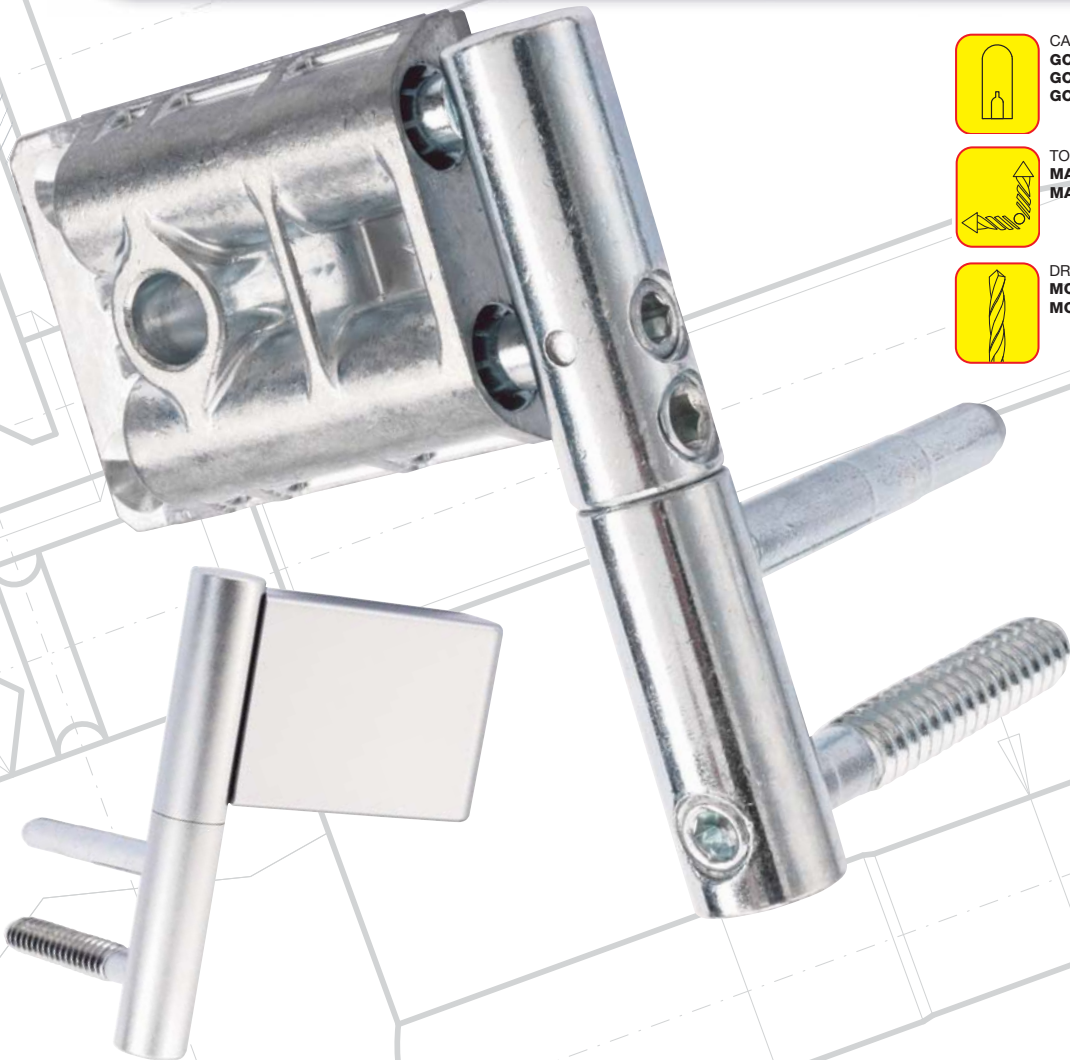

488 Ø16 SELF-CLOSING


Yellow galvanised

CI 488 160 H1 04	gr 174,88	Yellow galvanised	4x25=100	17,063
Male part + Female part , adjustable, self-closing, right			Box x pcs.Each	
CI 488 160 H1 06	gr 174,88	Yellow galvanised	4x25=100	17,063
Male part + Female part adjustable, self-closing, left			Box x pcs.Each	
CI 488 160 H5 04	gr 174,88	Zinc plated 12 µ	4x25=100	17,063
Male part + Female part , adjustable, self-closing, right			Box x pcs.Each	
CI 488 160 H5 06	gr 174,88	Zinc plated 12 µ	4x25x100	17,063
Male part + Female part adjustable, self-closing, left			Box x pcs.Each	



495 EXACTA TRIANT



CAPS
GC 838 Ø17 Ø18
GC 846 Ø17
GC 839 Ø18



TOOLS
MA 701 160 G0 35
MA 700 160 G0 06



DRILL BITS
MC 710 140 G0 04
MC 710 140 G0 06

For the first time, Triant is an adjustable solution specifically designed for a third shutter.

Designed to combine the perfection of three-dimensional fixture adjustment with an easy and, above all, reliable system, Exacta epitomises the essence of OTLAV functionality.

The practical aspects of Exacta are built into each component of the hinge. Every part that makes up this sophisticated adjustment system has been meticulously designed and only the best materials are used after having passed strict inspection tests.

A wide range of brass, steel and ABS caps means that doors and windows can now be given a personal touch of style.

Exacta's precision, reliability and practicality are all concepts that perfectly reflect the OTLAV style, which has always been geared towards continually advancing its product technology.



1/2. By acting on the threaded pin it is possible to quickly fit the hinge using the appropriate hexagonal bit for electrical drill screws and then make the side precision adjustment using the special "T" wrench.



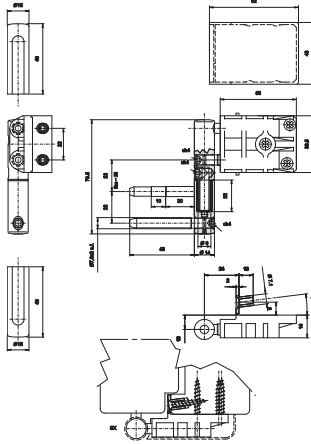
The wide, self-threading pitch not only means that assembling time is greatly reduced.



3. By using a "T" wrench it is possible to adjust the height of the pivot, therefore raising the female part. The weight of the door is evenly distributed over all the door-frame hinges thanks to the great sensitivity of the height adjusting device.

495 Ø14 EXACTA right-hand third shutter

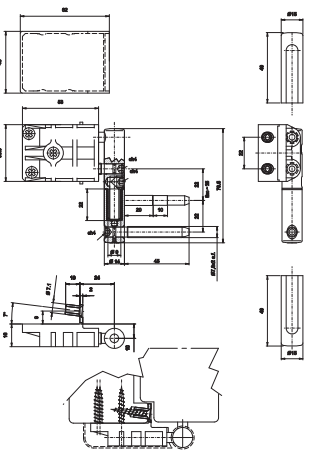

CF 495 140 H5 05	gr 56,90	4x65=260	on demand
Female part with 2 pins, adjustable, with nylon bush		Zinc plated 12 µ	Box x pcs.Each
CG 495 140 H5 20	gr 186,50	4x18=72	on demand
Adjustable male part on fixing plate (right)		Zinc plated 12 µ	Box x pcs.Each
GC 801 430 MO 02	gr 9,20	4x36=144	on demand
Cap for fixing plate		Gold Nylon	Box x pcs.Each
GC 801 430 YC 02	gr 9,20	4x36=144	on demand
Cap for fixing plate		Satinized silver Nylon	Box x pcs.Each
GC 801 430 MI 02	gr 9,20	4x36=144	on demand
Cap for fixing plate		Silver nylon	Box x pcs.Each
GC 838 150 J7 02	gr 2,68	4x170=680	0,920
Aluminium cap for 495 Ø14		Satinized silver aluminium	Box x pcs.Each
GC 838 150 JI 02	gr 2,68	4x170=680	on demand
Aluminium cap for 495 Ø14		Silver aluminium	Box x pcs.Each
GC 838 150 JO 04	gr 2,68	4x170=680	0,880
Aluminium cap for 495 Ø14		Gold aluminium	Box x pcs.Each



NEW

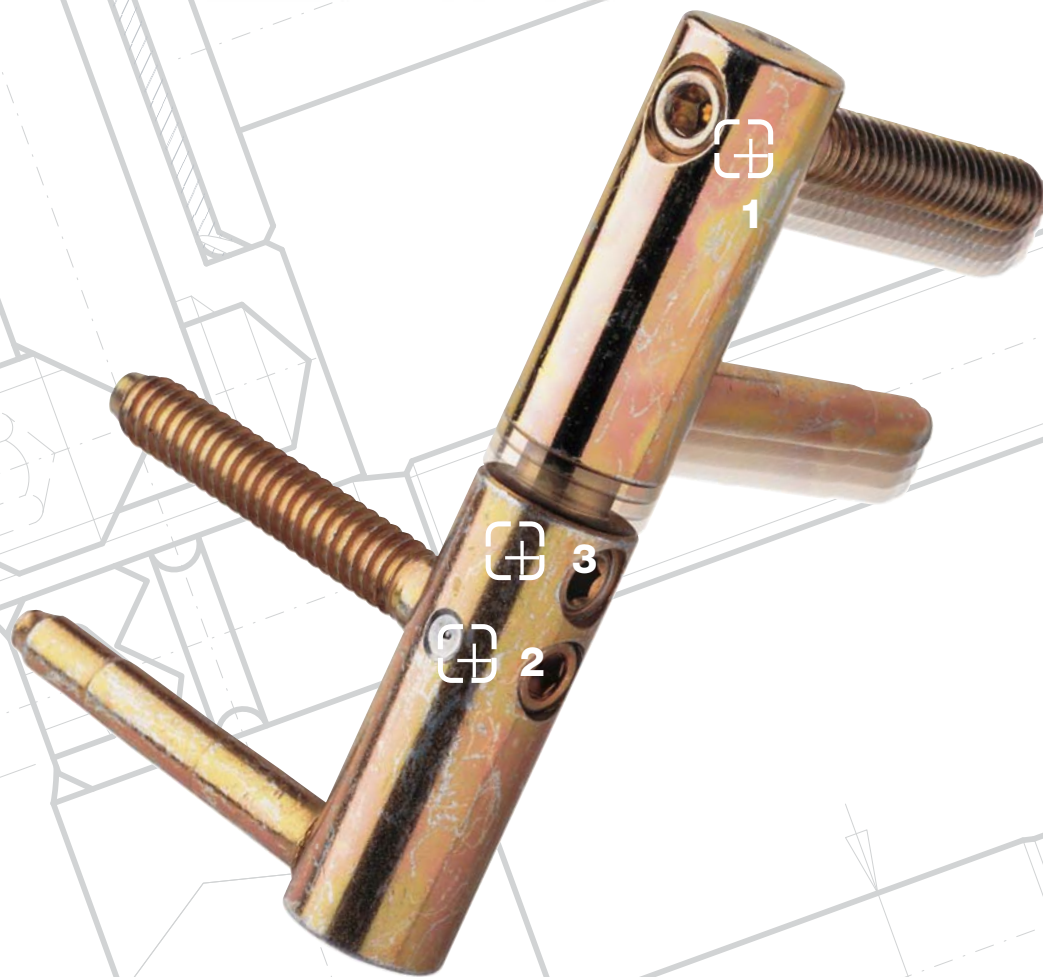
495 Ø14 EXACTA left-hand third shutter


CF 495 140 H5 05	gr 56,90	4x65=260	on demand
Female part with 2 pins, adjustable, with nylon bush		Zinc plated 12 µ	Box x pcs.Each
CG 495 140 H5 22	gr 186,50	4x18=72	on demand
Adjustable male part on fixing plate (left)		Zinc plated 12 µ	Box x pcs.Each
GC 801 430 MO 02	gr 9,20	4x36=144	on demand
Cap for fixing plate		Gold Nylon	Box x pcs.Each
GC 801 430 YC 02	gr 9,20	4x36=144	on demand
Cap for fixing plate		Satinized silver Nylon	Box x pcs.Each
GC 801 430 MI 02	gr 9,20	4x36=144	on demand
Cap for fixing plate		Silver nylon	Box x pcs.Each
GC 838 150 J7 02	gr 2,68	4x170=680	0,920
Aluminium cap for 495 Ø14		Silver Aluminium Satinized	Box x pcs.Each
GC 838 150 JI 02	gr 2,68	4x170=680	on demand
Aluminium cap for 495 Ø14		Silver aluminium	Box x pcs.Each
GC 838 150 JO 04	gr 2,68	4x170=680	0,880
Aluminium cap for 495 Ø14		Gold aluminium	Box x pcs.Each



NEW

495 EXACTA



CAPS
GC 838 Ø17 Ø18
GC 846 Ø17
GC 839 Ø18



TOOLS
MA 701 160 G0 35
MA 700 160 G0 06



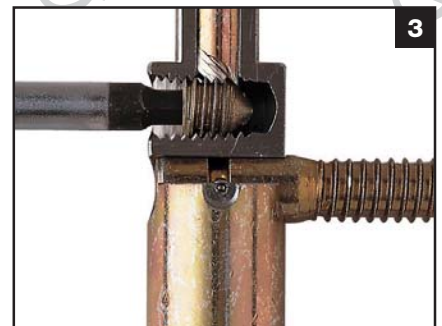
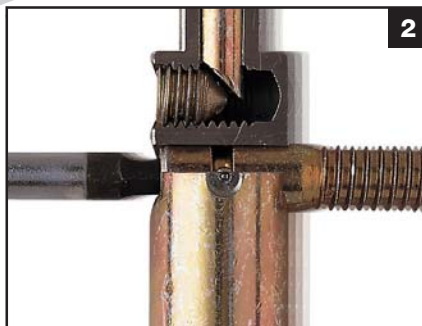
DRILL BITS
MC 710 140 G0 04
MC 710 140 G0 06

Designed to combine the perfection of three-dimensional fixture adjustment with an easy and, above all, reliable system, Exacta epitomises the essence of OTLAV functionality.

The practical aspects of Exacta are built into each component of the hinge. Every part that makes up this sophisticated adjustment system has been meticulously designed and only the best materials are used after having passed strict inspection tests.

A wide range of brass, steel and ABS caps means that doors and windows can now be given a personal touch of style.

Exacta's precision, reliability and practicality are all concepts that perfectly reflect the OTLAV style, which has always been geared towards continually advancing its product technology.



1/2. By acting on the threaded pin it is possible to quickly fit the hinge using the appropriate hexagonal bit for electrical drill screws and then make the side precision adjustment using the special "T" wrench.

The wide, self-threading pitch not only means that assembling time is greatly reduced.

3. By using a "T" wrench it is possible to adjust the height of the pivot, therefore raising the female part. The weight of the door is evenly distributed over all the door-frame hinges thanks to the great sensitivity of the height adjusting device.

495 Ø16 EXACTA


CF 495 160 B0 02	gr 64,44	4x50=200	1,970
Female part with 2 pins, adjustable, with nylon bush		Bronze plated	Box x pcs.Each

CG 495 160 B0 02	gr 96,24	4x50=200	2,758
Male part with 2 pins, adjustable		Bronze plated	Box x pcs.Each Tot. 4,728

CF 495 160 H1 02	gr 64,44	4x50=200	1,970
Female part with 2 pins, adjustable, with nylon bush		Yellow galvanized	Box x pcs.Each

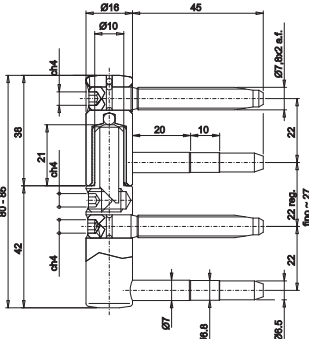
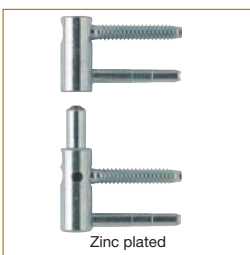
CG 495 160 H1 02	gr 96,24	4x50=200	2,758
Male part with 2 pins, adjustable		Yellow galvanized	Box x pcs.Each Tot. 4,728

CF 495 160 H5 02	gr 64,44	4x50=200	1,838
Female part with 2 pins, adjustable, with nylon bush		Zinc plated 12 µ	Box x pcs.Each

CG 495 160 H5 02	gr 96,24	4x50=200	2,758
Male part with 2 pins, adjustable		Zinc plated 12 µ	Box x pcs.Each Tot. 4,596

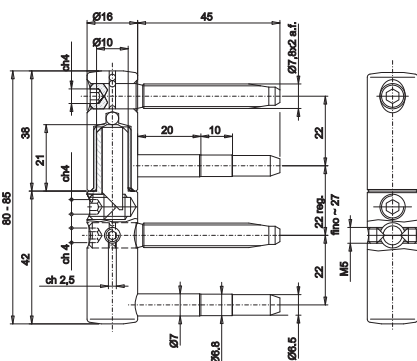
CF 495 160 HN 02	gr 66,00	4x50=200	1,970
Female part with 2 pins, adjustable, with nylon bush		Black not varnished zinc plated	Box x pcs.Each

CG 495 160 HN 04	gr 98,15	4x50=200	2,758
Male part with 2 pins, adjustable		Black not varnished zinc plated	Box x pcs.Each Tot. 4,728


495 Ø16 ANTI-INTRUSION EXACTA


CF 495 160 H5 02	gr 64,44	4x50=200	1,838
Female part with 2 pins, adjustable, with nylon bush		Zinc plated 12 µ	Box x pcs.Each

CG 495 160 H5 04	gr 96,24	4x50=200	4,333
Male part with 2 pins, anti-intrusion, adjustable		Zinc plated 12 µ	Box x pcs.Each Tot. 6,171



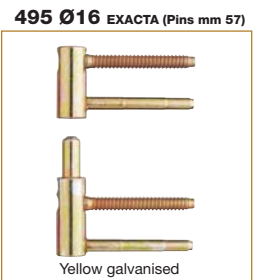
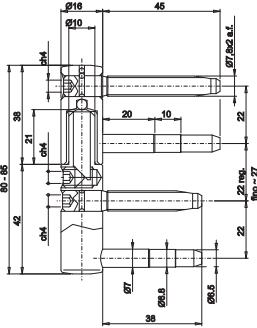


CF 495 160 H1 02	gr 64,44	4x50=200	1,970
Female part with 2 pins, adjustable, with nylon bush	Yellow galvanised	Box x pcs.Each	

CG 495 160 H1 15	gr 96,24	4x50=200	2,888
Male part with 2 pins, adjustable	Yellow galvanised	Box x pcs.Each	Tot. 4,858

CF 495 160 H5 02	gr 64,44	4x50=200	1,838
Female part with 2 pins, adjustable, with nylon bush	Zinc plated 12 µ	Box x pcs.Each	

CG 495 160 H5 17	gr 96,24	4x50=200	2,888
Male part with 2 pins, adjustable	Zinc plated 12 µ	Box x pcs.Each	Tot. 4,726

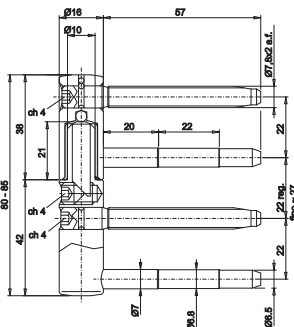


CF 495 160 H1 07	gr 71,44	4x50=200	2,233
Female part with 2 pins (57 mm), adjustable, with nylon bush	Yellow galvanised	Box x pcs.Each	

CG 495 160 H1 07	gr 103,64	4x50=200	2,823
Male part with 2 pins (57 mm), adjustable	Yellow galvanised	Box x pcs.Each	Tot. 5,056

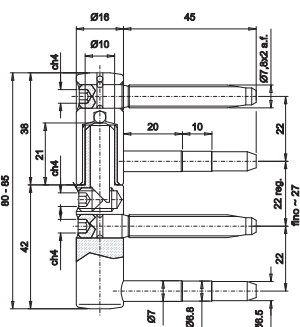
CF 495 160 H5 07	gr 71,44	4x50=200	1,943
Female part with 2 pins (57 mm), adjustable, with nylon bush	Zinc plated 12 µ	Box x pcs.Each	

CG 495 160 H5 07	gr 103,64	4x50=200	2,888
Male part with 2 pins (57 mm), adjustable	Zinc plated 12 µ	Box x pcs.Each	Tot. 4,831



CI 495 160 IL 02	gr 159,77	8x15=120	43,000
Adjustable stainless steel hinge with nylon bush	Polished stainless steel	Box x pcs.Each	

CI 495 160 IM 02	gr 159,77	8x15=120	26,500
Adjustable stainless steel hinge with nylon bush	Matt stainless steel	Box x pcs.Each	

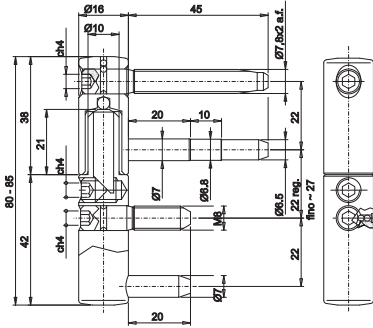


495 Ø16 EXACTA METAL (Male part pins mm. 20)

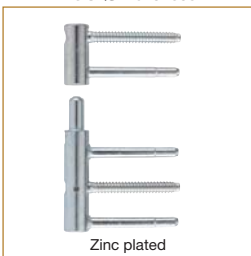


CF 495 160 H1 02	gr 64,44	4x50=200	1,970
Female part with 2 pins, adjustable, with nylon bush	Yellow galvanized	Box x pcs.Each	

CG 495 160 H1 05	gr 82,84	4x50=200	3,413
Male part with 2 pins (20 mm), adjustable	Yellow galvanized	Box x pcs.Each	Tot. 5,383

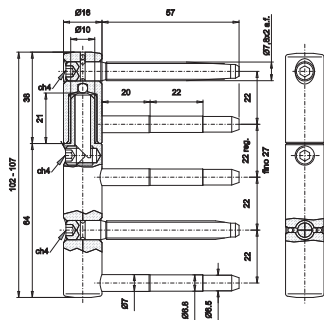


495 Ø16 URSUS



CI 495 160 H5 06	gr 228,26	8x10=80	7,900
Male part with 3 pins, Adjustable + Female part with nylon bush	Zinc plated 12 µ	Box x pcs.Each	

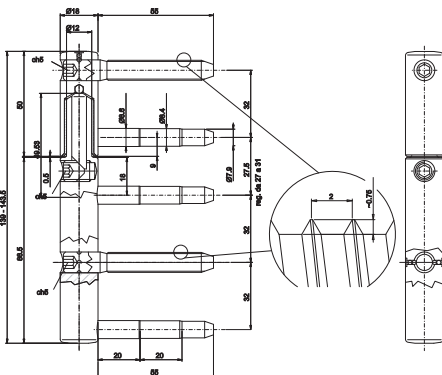
NEW



495 Ø18 URSUS



CI 495 180 H5 02	gr 362,65	8x10=80	10,500
Male part with 3 pins, Adjustable + Female part with nylon bush	Zinc plated 12 µ	Box x pcs.Each	



URSUS



CAPS
GC 838 Ø17
GC 838 Ø19
GC 838 Ø20



TOOLS
MA 701 180 G0 08

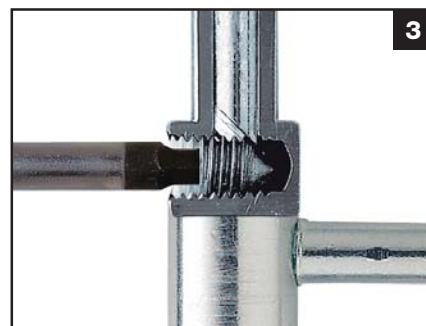
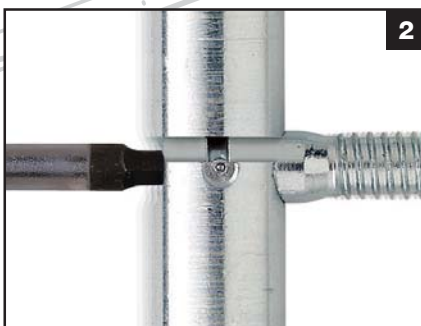


DRILL BITS
MC 710 200 G0 02



495 Ø 18 URSUS Adjustable hinge specific for massive, therefore heavy doors with particularly wide shutters. Perfect alignment of the hinge, thanks to the three pins on the male part, that maintain in time the original vertical order of the hinge.

- Vertical adjustment of the shutter up to 4 mm.
- Depth adjustment of the shutter as to the frame.
- Side adjustment of the shutter as to the frame.



1/2. By acting on the threaded pin it is possible to quickly fit the hinge using the appropriate hexagonal bit for electrical drill screws and then make the side precision adjustment using the

special "T" wrench. The wide, self-threading pitch not only means that assembling time is greatly reduced.

3. By using a "T" wrench it is possible to adjust the height of the pivot, therefore raising the female part. The weight of the door is evenly distributed over all the door-frame hinges.

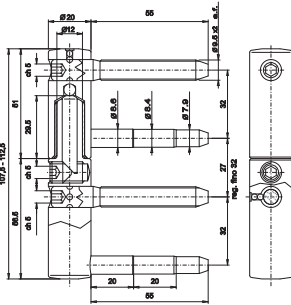
495 Ø20 EXACTA


CF 495 200 H1 04	gr 132,08	4x25=100	3,413
Female part with 2 pins, adjustable, with nylon bush		Yellow galvanized	Box x pcs.Each

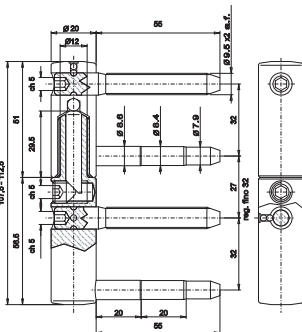
CG 495 200 H1 06	gr 196,48	4x25=100	4,200
Male part with 2 pins, adjustable		Yellow galvanized	Box x pcs.Each
			Tot. 7,613

CF 495 200 H5 02	gr 132,08	4x25=100	3,413
Female part with 2 pins, adjustable, with nylon bush		Zinc plated 12 µ	Box x pcs.Each

CG 495 200 H5 02	gr 196,48	4x25=100	3,938
Male part with 2 pins, adjustable		Zinc plated 12 µ	Box x pcs.Each
			Tot. 7,351


495 Ø20 EXACTA Stainless steel


CI 495 200 IM 02	gr 331,78	8x8=64	78,750
Adjustable stainless steel hinge with nylon bush		Matt stainless steel	Box x pcs.Each

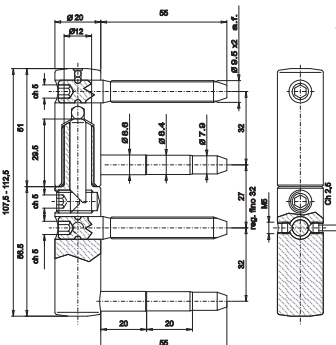

495 Ø20 ANTI-INTRUSION EXACTA


CF 495 200 H1 04	gr 132,08	4x25=100	3,413
Female part with 2 pins, adjustable, with nylon bush		Yellow galvanized	Box x pcs.Each

CG 495 200 H1 11	gr 195,68	4x25=100	6,563
Male part with 2 pins, adjustable, anti-intrusion		Yellow galvanized	Box x pcs.Each
			Tot. 9,976

CF 495 200 H5 02	gr 132,08	4x25=100	3,413
Female part with 2 pins, adjustable, with nylon bush		Zinc plated 12 µ	Box x pcs.Each

CG 495 200 H5 05	gr 196,48	4x25=100	6,563
Male part with 2 pins, adjustable, anti-intrusion		Zinc plated 12 µ	Box x pcs.Each
			Tot. 9,976



495 Ø20 EXACTA (Male part pins mm. 45)

CF 495 200 H5 02

gr 132,08

Female part with 2 pins, adjustable, with nylon bush

Zinc plated 12 µ

4x25=100

Box x pcs.Each

3,413

CG 495 200 H5 09

gr 189,28

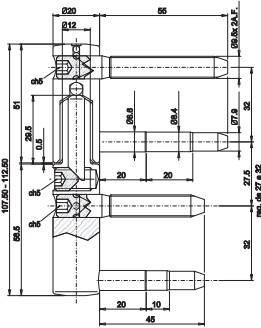
Male part with 2 pins (45 mm), adjustable

Zinc plated 12 µ

4x25=100

Box x pcs.Each

4,988

Tot. 8,401

499 Ø16 LIFTING HINGE

CI 499 160 H5 06

gr 183,42

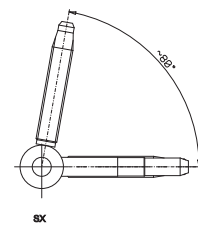
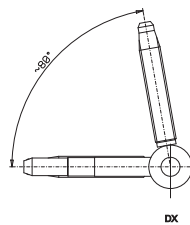
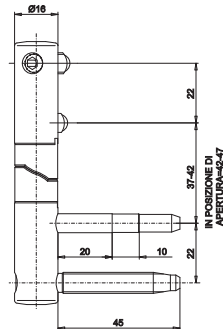
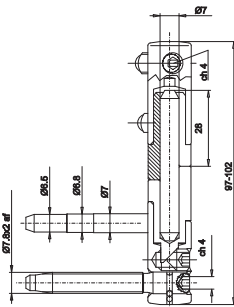
Male part + Female part (2 pins), adjustable, lifting

Zinc plated 12 µ

4x30=120

Box x pcs.Each

12,000


730 Ø13

CF 720 130 H1 04

gr 33,22

Female part

Yellow galvanised

1x600=600

Box x pcs.Each

0,395

CG 730 130 H1 04

gr 46,14

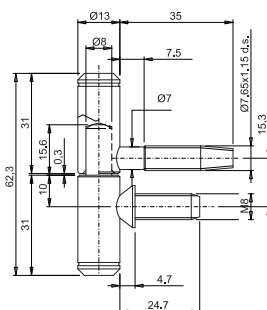
Male part

Yellow galvanised

1x300=300

Box x pcs.Each

1,378

Tot. 1,773


ALMAX



CAPS
GC 898 Ø18



DRILL BITS
MC 710 140 G0 04
MC 710 140 G0 06



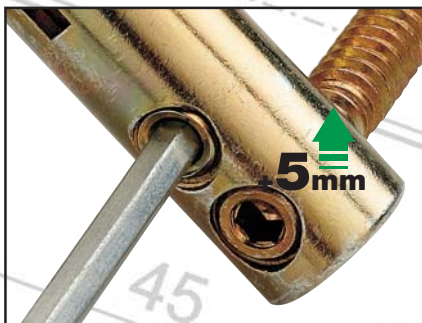
AlMax OTLAV's traditional rising hinge, model 499, can now be adjusted in all three dimensions. Cutting edge technology for a high class product.

The hinge, which has been patented by Otlav, lifts the door 5 mm as it is being opened.

It is particularly suitable for Grand Hotels, especially for heavy, wide doors, and was designed to remedy the disadvantages due to differences in height, carpet thicknesses, rugs and the irregularities in old floors.

AlMax opens the door with light, smooth and precise movement.

It allows an adjustment of up to 5 mm without dismantling the door from the frame and also allows the door to be adjusted in depth and sideways within the frame.



Detail showing the 5 mm lift of the door with the door open.



With 499 AlMax it is easy to achieve perfect vertical adjustment.

750 Ø18

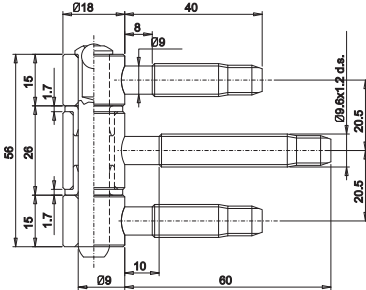
 CI 750 180 H0 11
3 Bushes with nylon ring + pivot

gr 157,90

Zinc plated

 8x10=80
Box x pcs.Each

2,888


750 Ø18 WASISTAS

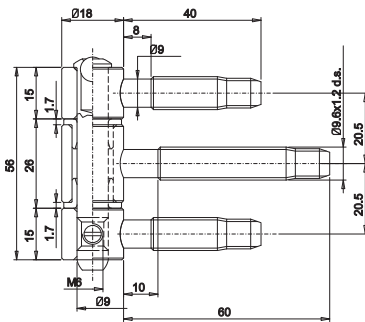
 CI 750 180 H0 15
3 Bushes with nylon ring + pivot, wasistas

gr 156,90

Zinc plated

 8x10=80
Box x pcs.Each

4,725


NT 021 Bolthinge

 CE 014 120 H0 09
Socket

gr 20,56

Zinc plated

 1x1000=1000 on demand
Box x pcs.Each

 FP 026 048 H0 02
Pin

gr 3,70

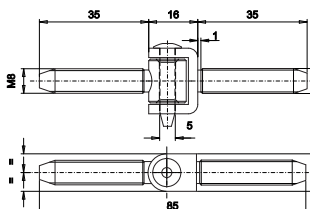
Zinc plated

 1x5000=5000 0,060
Box x pcs.Each.

 NT 021 120 H0 05
Fork

gr 20,47

Zinc plated

 1x1000=1000 on demand
Box x pcs.Each

 CE 014 120 P3 02
Socket

gr 20,56

White plastified (RAL 9010)

 1x1000=1000 0,398
Box x pcs.Each

 FP 026 048 H0 02
Pin

gr 3,70

Zinc plated

 1x5000=5000 0,060
Box x pcs.Each

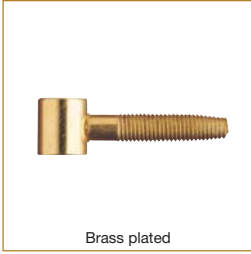
 NT 021 120 P3 02
Fork

gr 20,47

White plastified (RAL 9010)

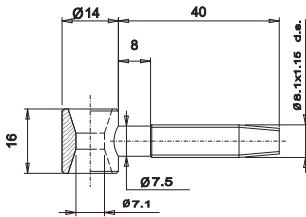
 1x1000=1000 0,443
Box x pcs.Each **Tot. 0,901**
NEW

NT 240 Ø14



NT 240 140 B0 04	gr 24,26	4x200=800	0,343
Socket	Bronze plated	Box x pcs.Each	

NT 240 140 O0 04	gr 24,26	4x200=800	0,395
Socket	Brass plated	Box x pcs.Each	

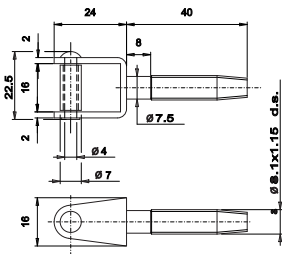


NT 245 Ø24



NT 245 240 B0 04	gr 29,02	4x120=480	0,945
Fork	Bronze plated	Box x pcs.Each	

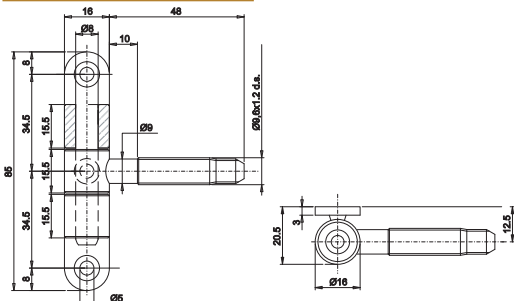
NT 245 240 O0 04	gr 29,02	4x120=480	0,973
Fork	Brass plated	Box x pcs.Each	



P08 Ø16 (9,6 x 48)



CI P08 160 H0 02	gr 120,80	4x40=160	1,708
Male part + Female part + pivot assembled	Zinc plated	Box x pcs.Each	



P38 Ø13


CF P39 130 H0 02 gr 33
Door component (on loading device)

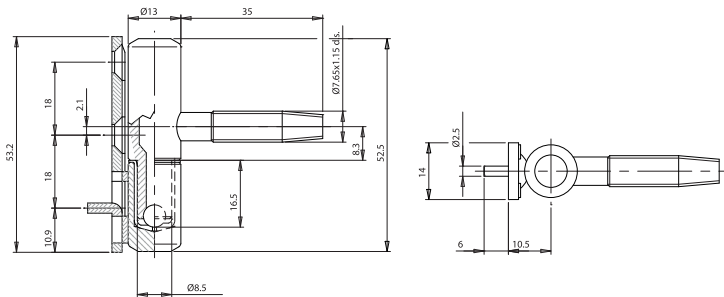
Zinc plated

1x342=342 on demand
Box x pcs.Each

CG P38 130 H0 05 gr 24,9
Frame component

Zinc plated

1x600=600 on demand
Box x pcs.Each


P58 Ø14


CG 058 140 H0 02 gr 39,36
Door component (on loading device)

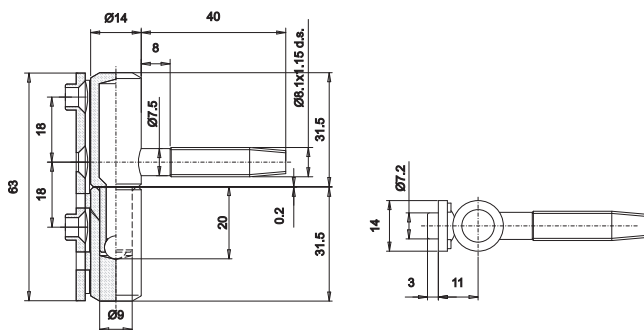
Zinc plated

1x285=285 on demand
Box x pcs.Each

CG P58 140 H0 04 gr 41,20
Frame component

Zinc plated

4x100=400 on demand
Box x pcs.Each



S08 Ø11CI S08 110 K1 03
Complete set S08

gr 171,00

SimilOro

1x70=70
Box x pcs.Each

9,025

CI S08 110 N7 03
Complete set S08

gr 171,00

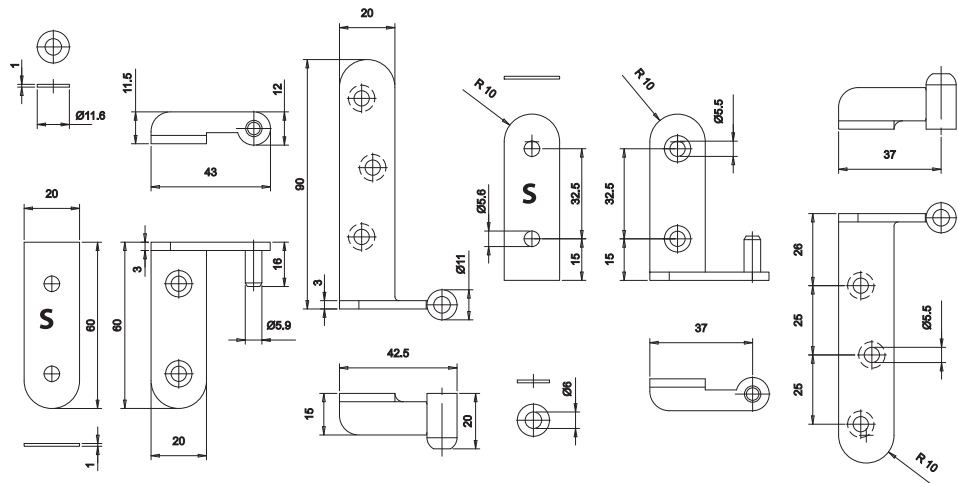
Satinized Nickel Plated

1x70=70
Box x pcs.Each

8,263

NEW

NOTE: the maximum load capacity for Kit S08 is a 30 kg door.
The maximum dimensions of the door must not exceed:
width 100 cm
height 210 cm.
180° opening angle. Non-adjustable. Equipped with two 1 mm-thick nylon shims (S) for adjusting the hinge on the frame if necessary.



S98 Ø18 ESSESSE



Gold Nylon

NOTE: the maximum load capacity for the Kit is a 35 kg door.

The maximum dimensions of the door must not exceed:
width 100 cm
height 210 cm.
180° opening angle.
Adjustable in height and sideways.

CI S98 180 YA 01
Semi-concealed, adjustable hinge.

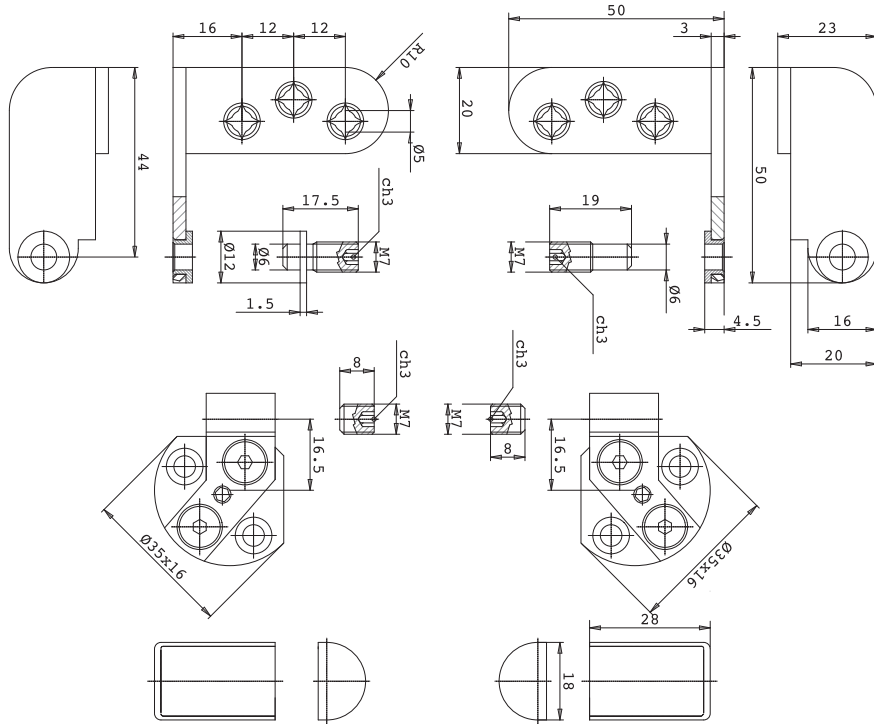
gr 235,81

Gold Nylon

8 x 8 = 64

Box x pcs.Each

23,625



ROSTRO for S08 / S98



Brass Plated

AI S98 200 O0 02
Door alignment pin

gr 29.4

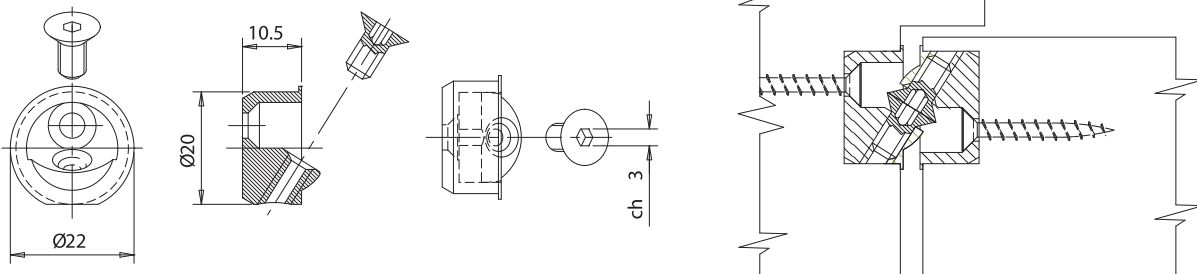
Brass Plated

8x160=1280 pz

Box x pcs.Each

2,435

NEW

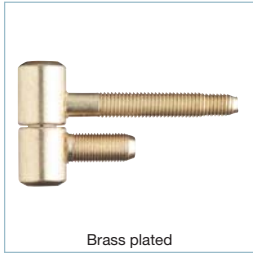


NOTE: Every door requires 2 AI S98 that must be fitted opposite each other.

METAL



METAL

031 Ø16 (Male part pin M10 x 22)

CF 031 160 H0 03

gr 42,95

Female part

Zinc plated

1x390=390

Box x pcs.Each

0,380

CG 031 160 H0 06

gr 51,08

Male part

Zinc plated

1x390=390

Box x pcs.Each

0,465

Tot. 0,845
CF 031 160 H1 02

gr 42,90

Female part

Yellow galvanised

4x80=320

Box x pcs.Each

0,420

CG 031 160 H1 04

gr 51,08

Male part

Yellow galvanised

4x80=320

Box x pcs.Each

0,525

Tot. 0,945
CF 031 160 O0 02

gr 42,90

Female part

Brass plated

4x80=320

Box x pcs.Each

0,525

CG 031 160 O0 06

gr 50,40

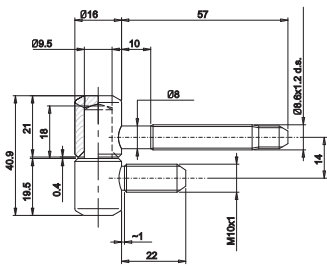
Male part

Brass plated

4x80=320

Box x pcs.Each

0,630

Tot. 1,155

095 Ø14

CI 095 140 N1 06

gr 105,35

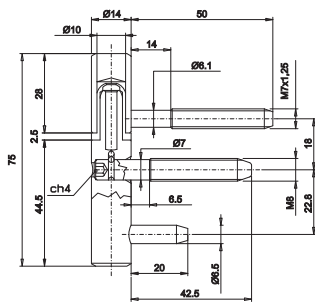
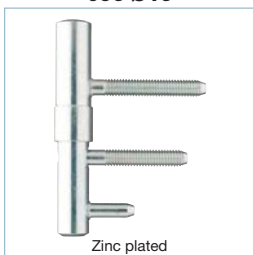
Male part with 2 pins, Adjustable + Female part with nylon bush

Static nickel plated

18x10=180

Box x pcs.Each

2,625


096 Ø16

CF 096 160 H0 04

gr 71,97

Adjustable female part with nylon bush

Zinc plated

1x260=260

Box x pcs.Each

on demand

CG 095 140 H0 06

gr 73,27

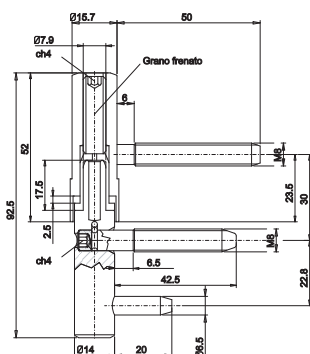
Male part with 2 pins, adjustable

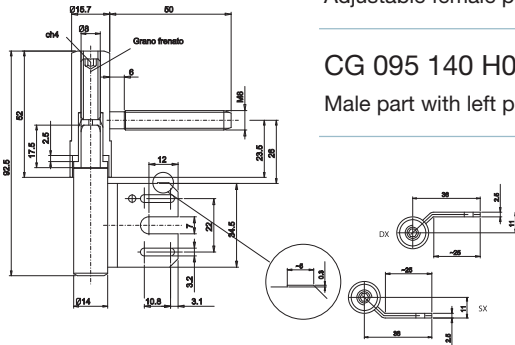
Zinc plated

1x260=260

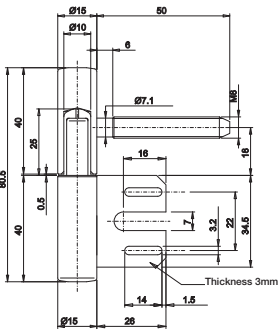
Box x pcs.Each

on demand

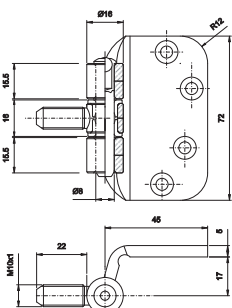


096 Ø16 (right and left plate)


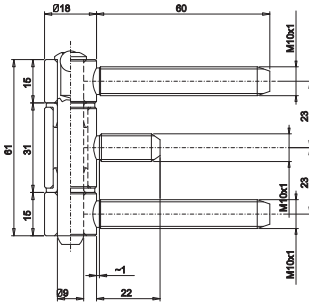
CF 096 160 H0 04	gr 71,96	1x260=260	on demand
Adjustable female part with nylon bush	Zinc plated	Box x pcs.Each	
CG 095 140 H0 09	gr 78,37	1x260=260	on demand
Male part with right plate	Zinc plated	Box x pcs.Each	
CF 096 160 H0 04	gr 71,97	1x260=260	on demand
Adjustable female part with nylon bush	Zinc plated	Box x pcs.Each	
CG 095 140 H0 11	gr 78,37	1x260=260	on demand
Male part with left plate	Zinc plated	Box x pcs.Each	

102 Ø15


CF 100 150 H0 04	gr 52,04	1x300=300	0,323
Female part	Zinc plated	Box x pcs.Each	
CG 102 150 H0 03	gr 56,73	1x250=250	1,075
Male part with plate	Zinc plated	Box x pcs.Each	Tot. 1,398
CF 100 150 N0 07	gr 52,04	1x300=300	0,420
Female part	Nickel plated	Box x pcs.Each	
CG 102 150 N0 03	gr 56,73	1x250=250	1,218
Male part with plate	Nickel plated	Box x pcs.Each	Tot. 1,638
CF 100 150 N4 02	gr 52,04	1x300=300	1,050
Female part	Matt nickel plated	Box x pcs.Each	
CG 102 150 N4 03	gr 56,73	1x250=250	1,838
Male part with plate	Matt nickel plated	Box x pcs.Each	Tot. 2,888

310 Ø16 (plate h72)


CE 015 160 H0 16	gr 20,59	1x900=900	1,470
Central bush for art.310 Ø 16	Zinc plated	Box x pcs.Each	
CG 310 160 H0 02	gr 160,90	1x100=100	3,808
External bush with plate for art.310 Ø 16	Zinc plated	Box x pcs.Each	
FP 052 080 H0 03	gr 18,60	4x300=1200	0,395
Pivot for 310 Ø 16	Zinc plated	Box x pcs.Each	Tot. 5,673

320 Ø18 (Side pins M10x60, central pin M10x22)

CE 015 180 N0 06
External bush for art.320 Ø 18

gr 52,82

Nickel plated

 4x100=400
Box x pcs.Each

1,300

CE 031 180 N0 05
Central bush for art.320 Ø 18

gr 41,85

Nickel plated

 4x120=480
Box x pcs.Each

1,903

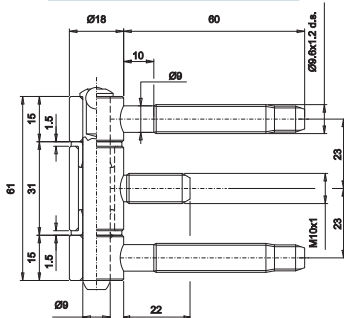
FP 069 090 N0 03
Pivot for 320 Ø 18

gr 31,57

Nickel plated

 4x160=640
Box x pcs.Each

0,355

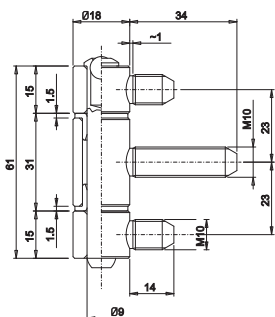
Tot. 3,558
320 Ø18 (Side pins M9,6x60, central pin M10x22)

CI 320 180 H1 08
3 Bushes with nylon ring + pivot

gr 169,80

Yellow galvanized

 4x30=120
Box x pcs.Each

on demand

NEW
320 Ø18 (Side pins M10x14, central pin M10x34)

CI 320 180 H5 13
3 Bushes with nylon ring + pivot

gr 133,00

Zinc plated 12 µ

 4x35=140
Box x pcs.Each

on demand

CI 320 180 HE 11
3 Bushes with nylon ring + pivot

gr 133,18

Black varnished zinc plated

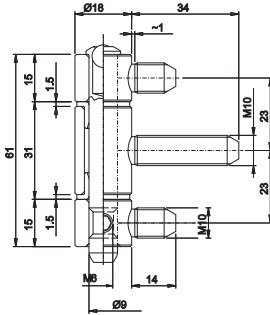
 4x35=140
Box x pcs.Each

on demand

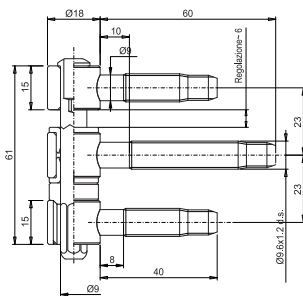
320 Ø18 WASISTAS (Gambi Lat. M10x14, Gambo Cent. M10x34)

CI 320 180 H5 18 gr 133,18
3 Bushes with nylon ring + pivot, wasistas

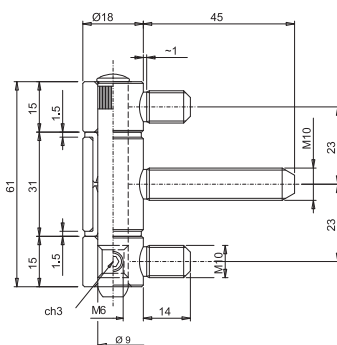
Zinc plated 12 µ

 4x35=140 on demand
Box x pcs.Each

320 Ø18 ADJUSTABLE
CI 320 180 H0 12 gr 159,07
3 Bushes with nylon ring + pivot

Zinc plated

 4x30=120 3,808
Box x pcs.Each

320 Ø18 Wasistas Stainless steel
CI 320 180 G0 06 gr 132,70
3 Bushes with nylon ring + pivot, wasistas

Natural

 1x140=140 on demand
Box x pcs.Each




CODE
Description

WEIGHT

Finishing

PACKING
Box

€
Price per piece

335 Ø15 Plate



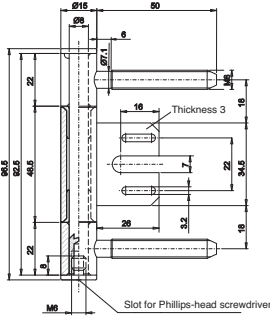
Nickel plated

CI 335 150 N0 15 gr 158,48
3 Bushes hinge (with central plate) + pivot with head + 1 head

Nickel plated

4x25=100
Box x pcs.Each

2,953



CE 022 Ø15



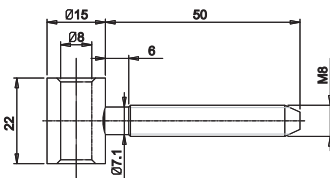
Nickel plated

CE 022 146 N0 02 gr 35,63
External bush for art.335 Ø 15

Nickel plated

1x400=400
Box x pcs.Each

0,503



CE047 Ø15



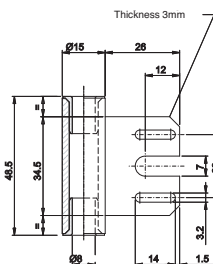
Nickel plated

CE 047 146 N0 08 gr 49,2
Central bush with plate and Nylon ring, for art.335 Ø 15

Nickel plated

1x300=300
Box x pcs.Each

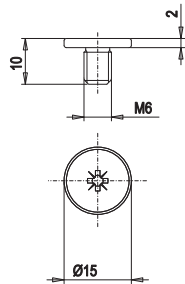
1,040



TE 010 Ø15 HEAD



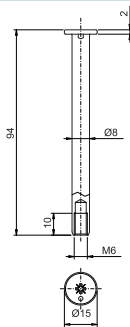
TE 010 150 N0 02	gr 3,72	8x400=3200	0,303
Head for art. 335 Ø15	Nickel plated	Box x pcs.Each	



FP 094 Ø8 PIVOT



FP 094 080 N0 02	gr 34,72	4x100=400	1,313
Pivot for 335 Ø 15	Nickel plated	Box x pcs.Each	

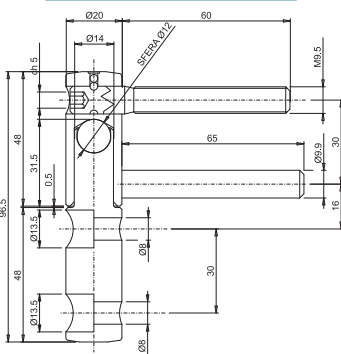


494 Ø20



CF 494 200 H1 05	gr 143,73	4x30=120	3,675
Female part with 2 pins, adjustable	Yellow galvanized	Box x pcs.Each	

CG 494 200 H1 05	gr 120,20	4x60=240	5,250
Male part with holes for pins	Yellow galvanized	Box x pcs.Each	Tot. 8,925



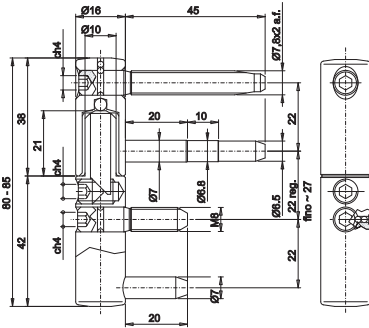
495 Ø16 EXACTA METAL (Male part pins mm. 20)



CF 495 160 H1 02	gr 64,44	Yellow galvanized	4x50=200	1,970
Female part with 2 pins, adjustable, with nylon bush				

CG 495 160 H1 05	gr 82,84	Yellow galvanized	4x50=200	3,413
Male part with 2 pins (20 mm), adjustable				

Tot. 5,383



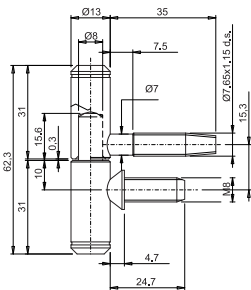
730 Ø13



CF 720 130 H1 04	gr 33,22	Yellow galvanized	1x600=600	0,395
Female part				

CG 730 130 H1 04	gr 46,14	Yellow galvanized	1x300=300	1,378
Male part				

Tot. 1,773



750 Ø18 (Pin M10x110)

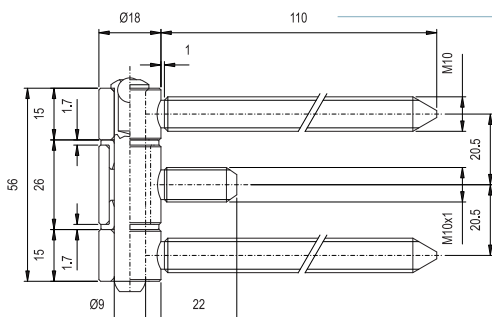


CE 015 180 H0 21	gr 71,30	Zinc plated	1x200=200	1,535
External bush for art.750 Ø 18				

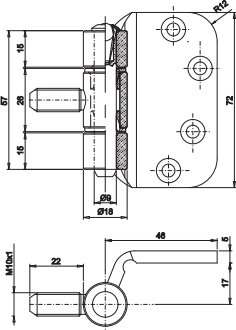
CE 026 180 H0 02	gr 34,05	Zinc plated	4x100=400	1,655
Central bush for art.750 Ø 18				

FP 062 090 H0 05	gr 27,50	Zinc plated	8x100=800	0,395
Pivot for 750 Ø 18				

Tot. 3,585



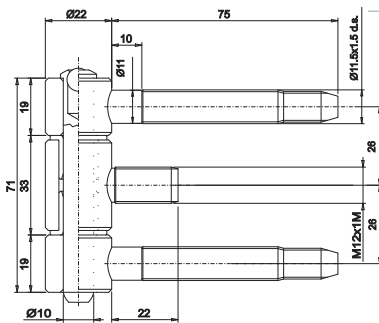
CODE	WEIGHT	PACKING	€
Description	Finishing	Box	Price per piece
750 Ø18 (PLATE h72) CE 026 180 H0 02 Central bush for art.750 Ø 18	gr 34,05 Zinc plated	4x100=400 Box x pcs.Each	1,655
CG 750 180 H0 08 External bush with plate for art.750 Ø 18	gr 157,00 Zinc plated	1x100=100 Box x pcs.Each	3,283
FP 062 090 H0 05 Pivot for 750 Ø 18	gr 27,50 Zinc plated	8x100=800 Box x pcs.Each	0,395
			Tot. 5,333



750 Ø22



CE 033 220 H0 05 Central bush for art.750 Ø 22	gr 74,6 Zinc plated	65x4=260 Box x pcs.Each	on demand
CE 019 220 H0 06 External bush for art.750 Ø 22	gr 91,9 Zinc plated	195x1=195 Box x pcs.Each	on demand
FP 077 100 H0 03 Pivot for 750 Ø 22	gr 46,20 Zinc plated	65x8=520 Box x pcs.Each	on demand

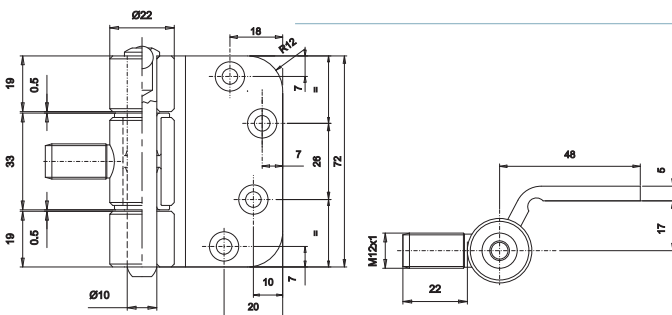


NEW

750 Ø22 PLATE

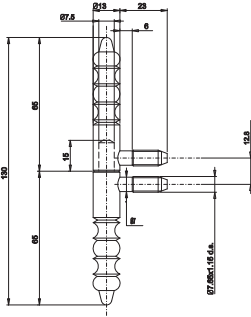


CE 033 220 H0 05 Central bush for art.750 Ø 22	gr 74,6 Zinc plated	65x4=260 Box x pcs.Each	on demand
CG 750 220 H0 04 External bush with plate for art.750 Ø 22	gr 200,80 Zinc plated	65x1=65 Box x pcs.Each	on demand
FP 077 100 H0 03 Pivot for 750 Ø 22	gr 46,20 Zinc plated	65x8=520 Box x pcs.Each	on demand



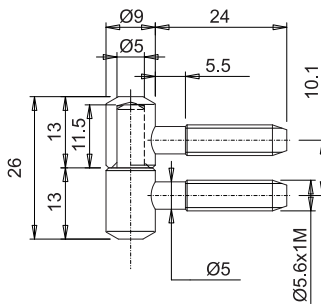
FURNITURE



210 Ø13 (Pins7,65x23)


CF 210 130 B1 05	gr 50,10		1x325=325	0,870
Female part		Special bronze plated	Box x pcs.Each	

CG 210 130 B1 09	gr 61,27		1x325=325	0,965
Male part		Special bronze plated	Box x pcs.Each	

530 Ø 9


CF 530 090 B0 08	gr 7,62		1x1700=1700	0,130
Female part		Bronze plated	Box x pcs.Each	

CG 530 090 B0 14	gr 11,32		1x1700=1700	0,150
Male part		Bronze plated	Box x pcs.Each	Tot. 0,280

CF 530 090 H0 06	gr 7,62		1x1700=1700	0,118
Female part		Zinc plated	Box x pcs.Each	

CG 530 090 H0 06	gr 11,32		1x1700=1700	0,135
Male part		Zinc plated	Box x pcs.Each	Tot. 0,253

CF 530 090 H0 08	gr 7,62		4x400=1600	on demand
Female part		Zinc plated	Box x pcs.Each	

CG 530 090 H0 08	gr 11,32		4x400=1600	on demand
Male part		Zinc plated	Box x pcs.Each	

CF 530 090 H1 02	gr 7,53		4x400=1600	0,110
Female part		Yellow galvanised	Box x pcs.Each	

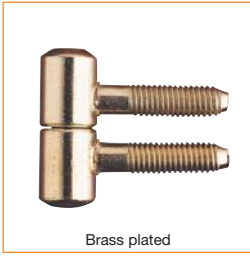
CG 530 090 H1 02	gr 11,20		4x400=1600	0,138
Male part		Yellow galvanised	Box x pcs.Each	Tot. 0,248

CF 530 090 N0 02	gr 7,53		4x400=1600	0,125
Female part		Nickel plated	Box x pcs.Each	

CG 530 090 N0 02	gr 11,20		4x400=1600	0,160
Male part		Nickel plated	Box x pcs.Each	Tot. 0,285

CF 530 090 O0 04	gr 7,53		4x400=1600	0,135
Female part		Brass plated	Box x pcs.Each	

CG 530 090 O0 06	gr 11,20		4x400=1600	0,163
Male part		Brass plated	Box x pcs.Each	Tot. 0,298

530 Ø11


CF 530 110 H0 06	gr 10,91	4x300=1200	0,140
Female part		Box x pcs.Each	

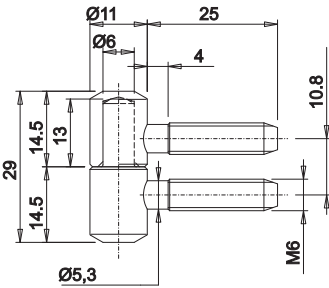
CG 530 110 H0 04	gr 16,77	4x300=1200	0,168
Male part		Box x pcs.Each	Tot. 0,308

CF 530 110 H1 04	gr 10,91	4x300=1200	0,140
Female part		Box x pcs.Each	

CG 530 110 H1 04	gr 16,77	4x300=1200	0,168
Male part		Box x pcs.Each	Tot. 0,308

CF 530 110 O0 02	gr 10,91	4x300=1200	0,163
Female part		Box x pcs.Each	

CG 530 110 O0 02	gr 16,77	4x300=1200	0,205
Male part		Box x pcs.Each	Tot. 0,368


535 Ø 9


CF 535 090 B0 03	gr 9,95	4x350=1400	0,160
Female part		Box x pcs.Each	

CG 535 090 B0 03	gr 13,78	4x350=1400	0,190
Male part		Box x pcs.Each	Tot. 0,350

CF 535 090 H1 02	gr 9,95	4x350=1400	0,145
Female part		Box x pcs.Each	

CG 535 090 H1 02	gr 13,78	4x350=1400	0,178
Male part		Box x pcs.Each	Tot. 0,323

CF 535 090 N0 02	gr 9,95	4x350=1400	0,168
Female part		Box x pcs.Each	

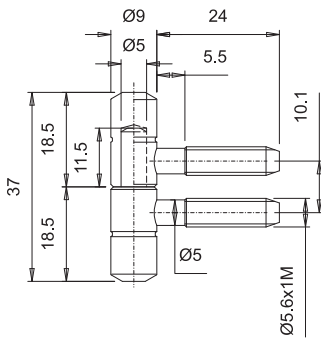
CG 535 090 N0 02	gr 13,78	4x350=1400	0,193
Male part		Box x pcs.Each	Tot. 0,361

CF 535 090 O0 04	gr 9,949	4x350=1400	0,178
Female part		Box x pcs.Each	

CG 535 090 O0 04	gr 13,78	4x350=1400	0,195
Male part		Box x pcs.Each	Tot. 0,373

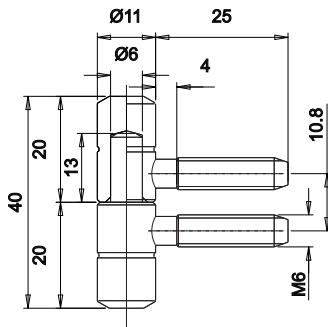
CF 535 090 R0 02	gr 10,31	4x350=1400	on demand
Female part		Box x pcs.Each	

CG 535 090 R0 02	gr 13,97	4x350=1400	on demand
Male part		Box x pcs.Each	



535 Ø11


Bronze plated


CF 535 110 B0 04
Female part

gr 14,76

Bronze plated

 4x240=960
Box x pcs.Each

0,195

CG 535 110 B0 04
Male part

gr 20,80

Bronze plated

 4x240=960
Box x pcs.Each

0,233

Tot. 0,428
CF 535 110 H1 02
Female part

gr 14,76

Yellow galvanised

 4x240=960
Box x pcs.Each

0,173

CG 535 110 H1 02
Male part

gr 20,80

Yellow galvanised

 4x240=960
Box x pcs.Each

0,203

Tot. 0,376
CF 535 110 N4 02
Female part

gr 15,59

Matt nickel plated

 4x240=960
Box x pcs.Each

0,560

CG 535 110 N4 02
Male part

gr 21,10

Matt nickel plated

 4x240=960
Box x pcs.Each

0,658

Tot. 1,218
CF 535 110 O0 05
Female part

gr 14,75

Brass plated

 4x240=960
Box x pcs.Each

0,208

CG 535 110 O0 05
Male part

gr 20,80

Brass plated

 4x240=960
Box x pcs.Each

0,250

Tot. 0,458
CF 535 110 R0 02
Female part

gr 15,59

Burnished

 4x240=960
Box x pcs.Each

on demand

CG 535 110 R0 02
Male part

gr 21,10

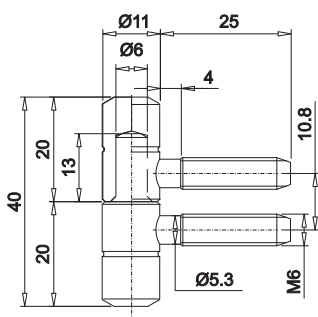
Burnished

 4x240=960
Box x pcs.Each

on demand

553 Ø11 Stainless steel


Matt stainless steel


CI 553 110 IL 02
Male part + Female part

gr 36,60

Polished stainless steel

 4x150=600
Box x pcs.Each

on demand

CI 553 110 IM 02
Male part + Female part

gr 36,60

Matt stainless steel

 4x150=600
Box x pcs.Each

on demand

580 Ø 9

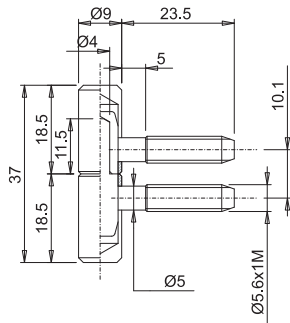
CI 580 090 L0 04
Male part + Female part in brass

gr 15,69

Polished

 4x220=880
Box x pcs.Each

3,283


580 Ø11

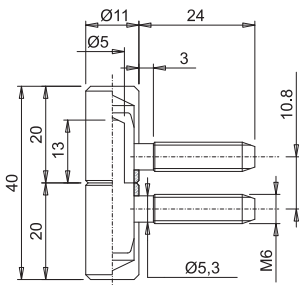
CI 580 110 L0 04
Male part + Female part in brass

gr 31,61

Polished

 4x150=600
Box x pcs.Each

4,700


585 Ø 9

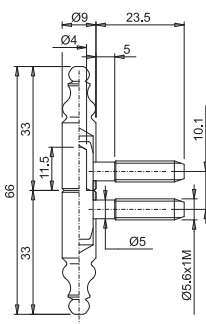
CI 585 090 L0 04
Male part + Female part in brass

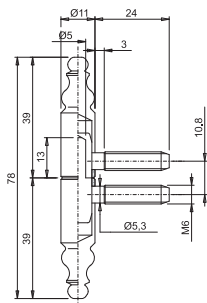
gr 28,64

Polished

 4x160=640
Box x pcs.Each

3,675



585 Ø11

CI 585 110 L0 04

gr 42,42

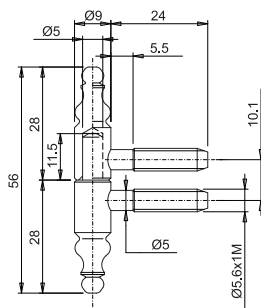
Male part + Female part in brass

Polished

4x100=400

Box x pcs.Each

4,333

600 Ø 9

CF 600 090 B0 05

gr 11,44

Female part

Bronze plated

4x320=1280

Box x pcs.Each

0,185

CG 600 090 B0 05

gr 15,28

Male part

Bronze plated

4x320=1280

Box x pcs.Each

0,223

Tot. 0,408
CF 600 090 O0 04

gr 11,44

Female part

Brass plated

4x320=1280

Box x pcs.Each

0,210

CG 600 090 O0 04

gr 15,28

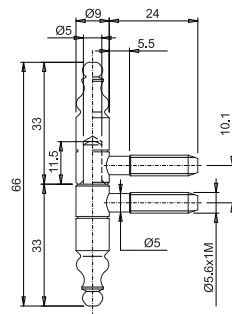
Male part

Brass plated

4x320=1280

Box x pcs.Each

0,230

Tot. 0,440
605 Ø 9

CF 605 090 B0 08

gr 14,05

Female part

Bronze plated

8x150=1200

Box x pcs.Each

0,210

CG 605 090 B0 14

gr 17,89

Male part

Bronze plated

8x150=1200

Box x pcs.Each

0,230

Tot. 0,440
CF 605 090 B0 09

gr 14,05

Female part

Bronze plated

1x1100=1100

Box x pcs.Each

0,210

CG 605 090 B0 15

gr 17,89

Male part

Bronze plated

1x1100=1100

Box x pcs.Each

0,230

Tot. 0,440
CF 605 090 B1 05

gr 13,71

Female part

Special bronze plated

1x1100=1100

Box x pcs.Each

0,213

CG 605 090 B1 07

gr 17,51

Male part

Special bronze plated

1x1100=1100

Box x pcs.Each

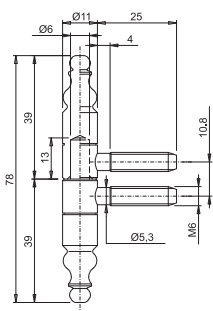
0,250

Tot. 0,463

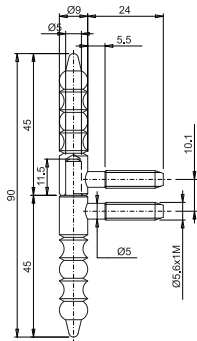
CODE	WEIGHT	PACKING	€
Description	Finishing	Box	Price per piece
CF 605 090 B1 06 Female part	gr 13,71 Special bronze plated	8x150=1200 Box x pcs.Each	0,220
CG 605 090 B1 08 Male part	gr 17,51 Special bronze plated	8x150=1200 Box x pcs.Each	0,263 Tot. 0,483
CF 605 090 E0 02 Female part	gr 13,71 Otlav Patiné	8x150=1200 Box x pcs.Each	0,525
CG 605 090 E0 02 Male part	gr 17,51 Otlav Patiné	8x150=1200 Box x pcs.Each	0,538 Tot. 1,063
CF 605 090 G0 04 Female part	gr 13,746 Natural	1x1100=1100 Box x pcs.Each	on demand
CG 605 090 G0 04 Male part	gr 17,75 Natural	1x1100=1100 Box x pcs.Each	on demand
CF 605 090 O0 06 Female part	gr 14,05 Brass plated	8x150=1200 Box x pcs.Each	0,205
CG 605 090 O0 08 Male part	gr 17,89 Brass plated	8x150=1200 Box x pcs.Each	0,243 Tot. 0,448
CF 605 090 O0 07 Female part	gr 14,05 Brass plated	1x1100=1100 Box x pcs.Each	0,200
CG 605 090 O0 09 Male part	gr 17,89 Brass plated	1x1100=1100 Box x pcs.Each	0,238 Tot. 0,438
CF 605 090 R0 04 Female part	gr 14,05 Burnished	1x1100=1100 Box x pcs.Each	0,203
CG 605 090 R0 04 Male part	gr 17,89 Burnished	1x1100=1100 Box x pcs.Each	0,238 Tot. 0,441

605 Ø11

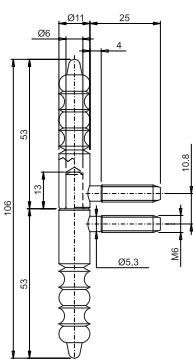

CF 605 110 B0 03 Female part	gr 23,07 Bronze plated	4x170=680 Box x pcs.Each	0,290
CG 605 110 B0 03 Male part	gr 29,19 Bronze plated	4x170=680 Box x pcs.Each	0,315 Tot. 0,605
CF 605 110 B1 05 Female part	gr 23,30 Special bronze plated	1x680=680 Box x pcs.Each	0,295
CG 605 110 B1 07 Male part	gr 29,35 Special bronze plated	1x680=680 Box x pcs.Each	0,343 Tot. 0,638
CF 605 110 E0 02 Female part	gr 23,07 Otlav Patiné	4x170=680 Box x pcs.Each	0,658
CG 605 110 E0 02 Male part	gr 29,19 Otlav Patiné	4x170=680 Box x pcs.Each	0,683 Tot. 1,341



CF 605 110 H2 02 Female part	gr 23,01		1x680=680	on demand
		Black varnished zinc plated	Box x pcs.Each	
CG 605 110 H2 02 Male part	gr 28,73		1x680=680	on demand
		Black varnished zinc plated	Box x pcs.Each	
CF 605 110 O0 03 Female part	gr 23,07	Brass plated	4x170=680	0,323
			Box x pcs.Each	
CG 605 110 O0 03 Male part	gr 29,19	Brass plated	4x170=680	0,328
			Box x pcs.Each	Tot. 0,651
CF 605 110 R0 03 Female part	gr 23,07	Burnished	4x170=680	0,290
			Box x pcs.Each	
CG 605 110 R0 03 Male part	gr 29,19	Burnished	4x170=680	0,315
			Box x pcs.Each	Tot. 0,605

610 Ø 9


CF 610 090 B0 02 Female part	gr 17,92	Bronze plated	4x230=920	0,525
			Box x pcs.Each	
CG 610 090 B0 02 Male part	gr 20,83	Bronze plated	4x230=920	0,578
			Box x pcs.Each	Tot. 1,103
CF 610 090 B1 02 Female part	gr 17,92	Special bronze plated	4x230=920	0,578
			Box x pcs.Each	
CG 610 090 B1 02 Male part	gr 20,83	Special bronze plated	4x230=920	0,590
			Box x pcs.Each	Tot. 1,168
CF 610 090 G2 04 Female part	gr 17,92	Varnished phosphatized	4x230=920	0,578
			Box x pcs.Each	
CG 610 090 G2 04 Male part	gr 20,83	Varnished phosphatized	4x230=920	0,658
			Box x pcs.Each	Tot. 1,236

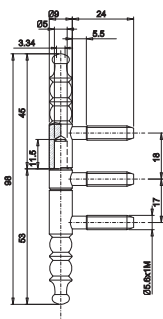
610 Ø11


CF 610 110 B0 04 Female part	gr 30,50	Bronze plated	4x130=520	on demand
			Box x pcs.Each	
CG 610 110 B0 04 Male part	gr 35,71	Bronze plated	4x130=520	on demand
			Box x pcs.Each	
CF 610 110 B1 06 Female part	gr 30,26	Special bronze plated	1x500=500	0,658
			Box x pcs.Each	
CG 610 110 B1 04 Male part	gr 36,12	Special bronze plated	1x500=500	0,710
			Box x pcs.Each	Tot. 1,368
CF 610 110 E0 02 Female part	gr 29,78	Otlav Patiné	4x130=520	1,183
			Box x pcs.Each	
CG 610 110 E0 02 Male part	gr 35,71	Otlav Patiné	4x130=520	1,260
			Box x pcs.Each	Tot. 2,443

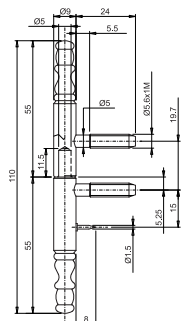
CODE	WEIGHT	PACKING	€
Description	Finishing	Box	Price per piece
CF 610 110 G0 06 Female part	gr 29,78 Natural	4x130=520 Box x pcs.Each	0,553
CG 610 110 G0 06 Male part	gr 35,71 Natural	4x130=520 Box x pcs.Each	0,605 Tot. 1,158
CF 610 110 G2 04 Female part	gr 29,78 Varnished phosphatized	4x130=520 Box x pcs.Each	0,658
CG 610 110 G2 04 Male part	gr 35,70 Varnished phosphatized	4x130=520 Box x pcs.Each	0,723 Tot. 1,381

612 Ø 9 (Male with 2 pins)

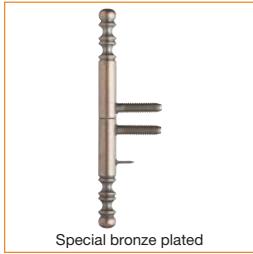

CF 612 090 B1 02 Female part	gr 18,77 Special bronze plated	1x1100=1100 Box x pcs.Each	0,535
CG 612 090 B1 02 Male part with 2 pins	gr 29,62 Special bronze plated	1x550=550 Box x pcs.Each	0,863 Tot 1,398


630 Ø 9 Male part with nail

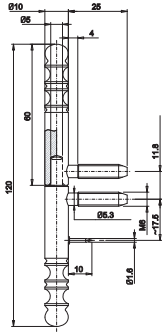

CF 630 090 B0 04 Female part	gr 22,29 Bronze plated	4x180=720 Box x pcs.Each	0,478
CG 630 090 B0 04 Male part with nail	gr 25,51 Bronze plated	4x180=720 Box x pcs.Each	0,750 Tot. 1,228
CF 630 090 B1 04 Female part	gr 22,31 Special bronze plated	1x750=750 Box x pcs.Each	0,493
CG 630 090 B1 06 Male part with nail	gr 26,05 Special bronze plated	1x750=750 Box x pcs.Each	0,760 Tot. 1,253
CF 630 090 O0 04 Female part	gr 22,31 Brass plated	1x750=750 Box x pcs.Each	0,488
CG 630 090 O0 06 Male part with nail	gr 26,05 Brass plated	1x750=750 Box x pcs.Each	0,760 Tot. 1,248



649 Ø10 Male part with nail



Special bronze plated



CF 649 100 B1 02
Female part

gr 32,31

Special bronze plated

1x520=520
Box x pcs.Each

0,683

CG 649 100 B1 02
Male part with nail

gr 36,56

Special bronze plated

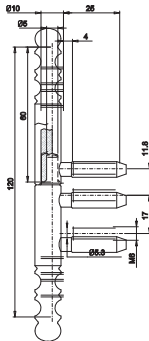
1x520=520
Box x pcs.Each

0,800
Tot. 1,483

649 Ø10 (Male with 2 pins)



Special bronze plated



CF 649 100 B1 02
Female part

gr 32,31

Special bronze plated

1x520=520
Box x pcs.Each

0,683

CG 649 100 B1 08
Male part with 2 pins

gr 39,38

Special bronze plated

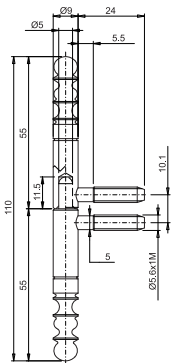
1x500=500
Box x pcs.Each

0,900
Tot. 1,583

650 Ø 9



Antique Brass plated



CF 650 090 G0 03
Female part

gr 24,31

Natural

1x700=700
Box x pcs.Each

on demand

CG 650 090 G0 03
Male part

gr 27,82

Natural

1x700=700
Box x pcs.Each

on demand

CF 650 090 O2 04
Female part

gr 23,81

Antique Brass plated

1x700=700
Box x pcs.Each

0,525

CG 650 090 O2 06
Male part

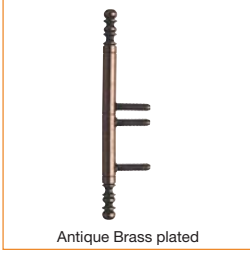
gr 27,31

Antique Brass plated

1x700=700
Box x pcs.Each

0,583
Tot. 1,108

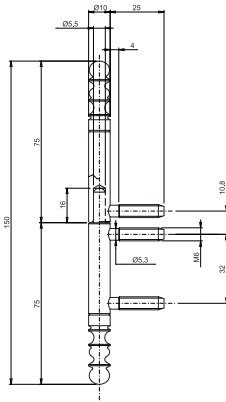
660 Ø10 (Male with 2 pins)



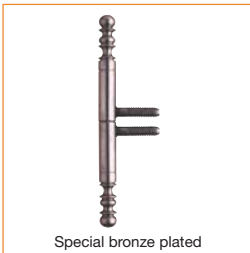
Antique Brass plated

CF 660 100 O2 04	gr 39,99	1x350=350	0,835
Female part		Antique Brass plated	Box x pcs.Each

CG 660 100 O2 04	gr 49,80	1x350=350	1,125
Male part with 2 pins		Antique Brass plated	Box x pcs.Each
			Tot. 1,960



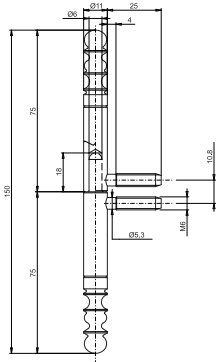
660 Ø11



Special bronze plated

CF 660 110 B1 05	gr 46,23	1x350=350	0,840
Female part		Special bronze plated	Box x pcs.Each

CG 660 110 B1 05	gr 54,06	1x350=350	0,920
Male part		Special bronze plated	Box x pcs.Each
			Tot. 1,760

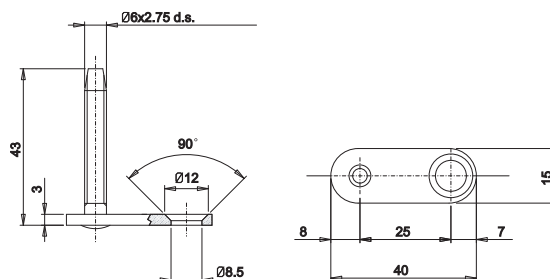


Q61 400



Zinc plated

CR Q61 400 H0 04	gr 18,00	4x200=800	on demand
Wall Unit Support		Zinc plated	Box x pcs.Each



Q61 550 (Pin 8x57)



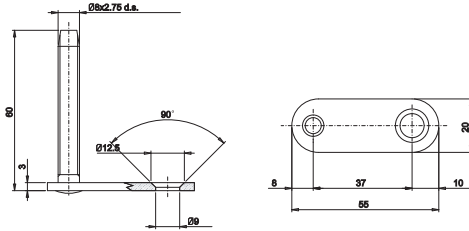
CR Q61 550 H0 09
Wall Unit Support

gr 38,60

Zinc plated

4x50=200
Box x pcs.Each

on demand



Q61 550 (Pin 6 x 40)



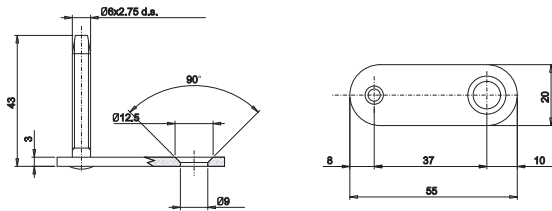
CR Q61 550 H0 10
Wall Unit Support

gr 29,00

Zinc plated

4x100=400
Box x pcs.Each

on demand



Q61 750



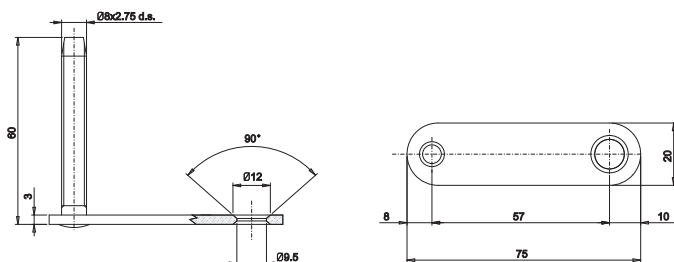
CR Q61 750 H0 04
Wall Unit Support

gr 51,00

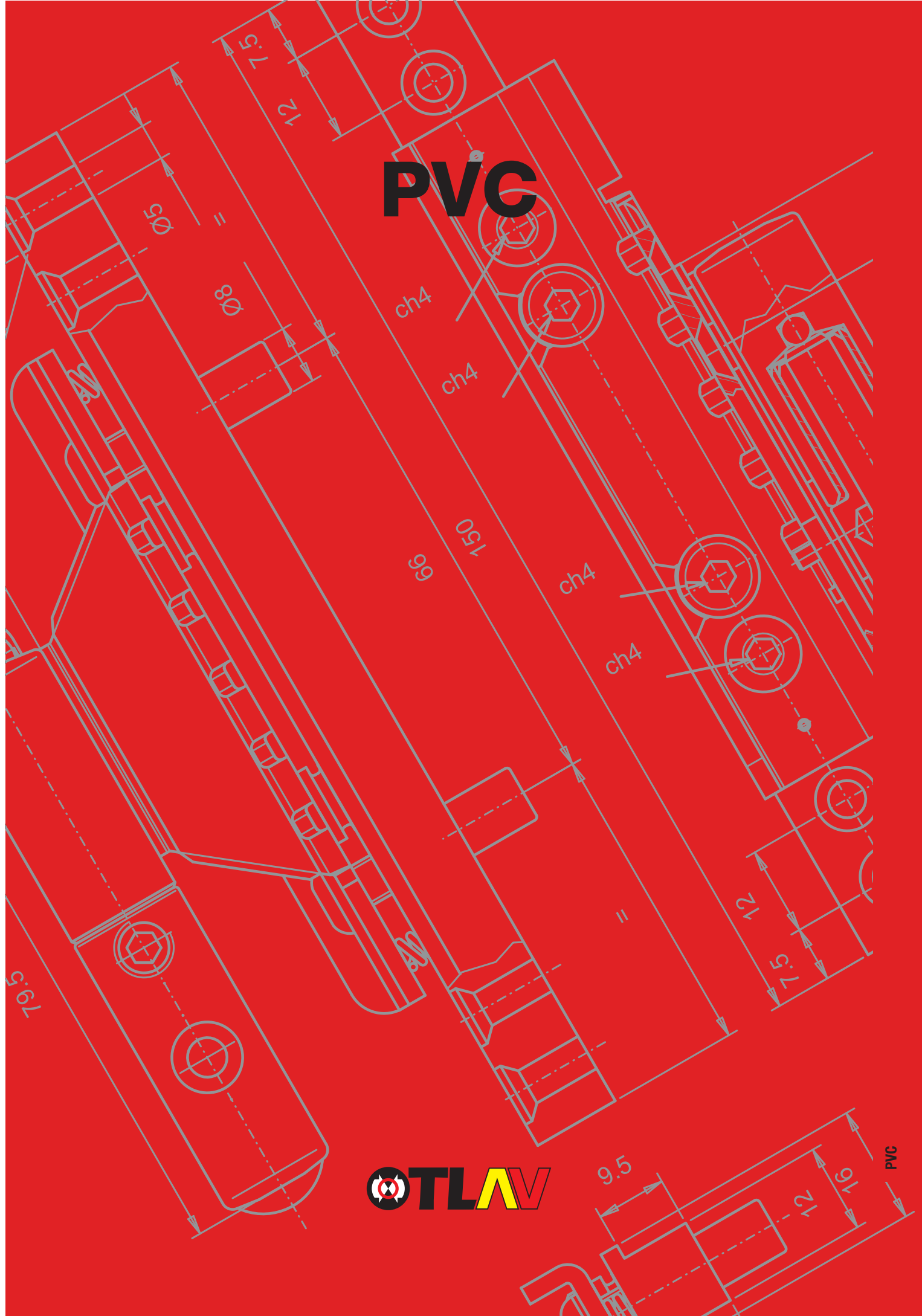
Zinc plated

1x250=250
Box x pcs.Each

on demand



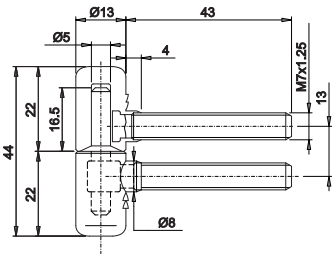
PVC



PVC

060 Ø13 (M7 x 43)


Black resin



CF 060 130 A2 14	gr 15,14	Black resin	4x160=640	0,343
Female part in anticorrosion resin			Box x pcs.Each	

CG 060 130 A2 14	gr 20,01	Black resin	4x160=640	0,408
Male part in anticorrosion resin			Box x pcs.Each	Tot. 0,751

CF 060 130 A3 26	gr 15,39	White resin	1x750=750	0,343
Female part in anticorrosion resin			Box x pcs.Each	

CG 060 130 A3 36	gr 20,24	White resin	1x750=750	0,408
Male part in anticorrosion resin			Box x pcs.Each	Tot. 0,751

CF 060 130 AB 08	gr 15,14	Bronze resin	4x160=640	0,343
Female part in anticorrosion resin			Box x pcs.Each	

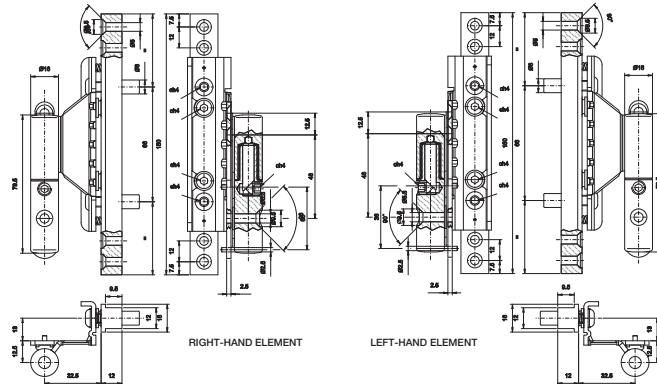
CG 060 130 AB 14	gr 20,01	Bronze resin	4x160=640	0,420
Male part in anticorrosion resin			Box x pcs.Each	Tot. 0,763

482 Ø16 BIXACTA PVC 2D


White plastified

CI 482 160 P3 02	gr 352,14	White plastified (RAL 9010)	4x6=24	17,063
Male part + Female part adjustable, right			Box x pcs.Each	

CI 482 160 P3 08	gr 352,14	White plastified (RAL 9010)	4x6=24	17,063
Male part + Female part adjustable, left			Box x pcs.Each	


NEW
482 Ø16 MIXACTA PVC

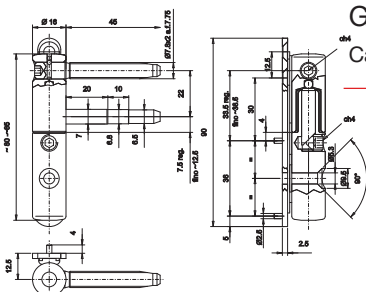

White plastified

CF 495 160 P1 03	gr 66,00	White plastified (RAL 9016)	4x50=200	on demand
Female part with 2 pins, adjustable, with nylon bush			Box x pcs.Each	

GC 838 170 P1 02	gr 3,32	Ivory plastified (RAL 1015)	4x40=160	1,708
Cap for Bixacta Ø16			Box x pcs.Each	

CG 482 160 P1 03	gr 95,00	White plastified (RAL 9016)	4x50=200	on demand
Adjustable male part			Box x pcs.Each	

GC 846 170 P1 02	gr 3,42	Ivory plastified (RAL 1015)	4x40=160	1,838
Cap for Bixacta Ø16			Box x pcs.Each	


NEW

BIXACTA



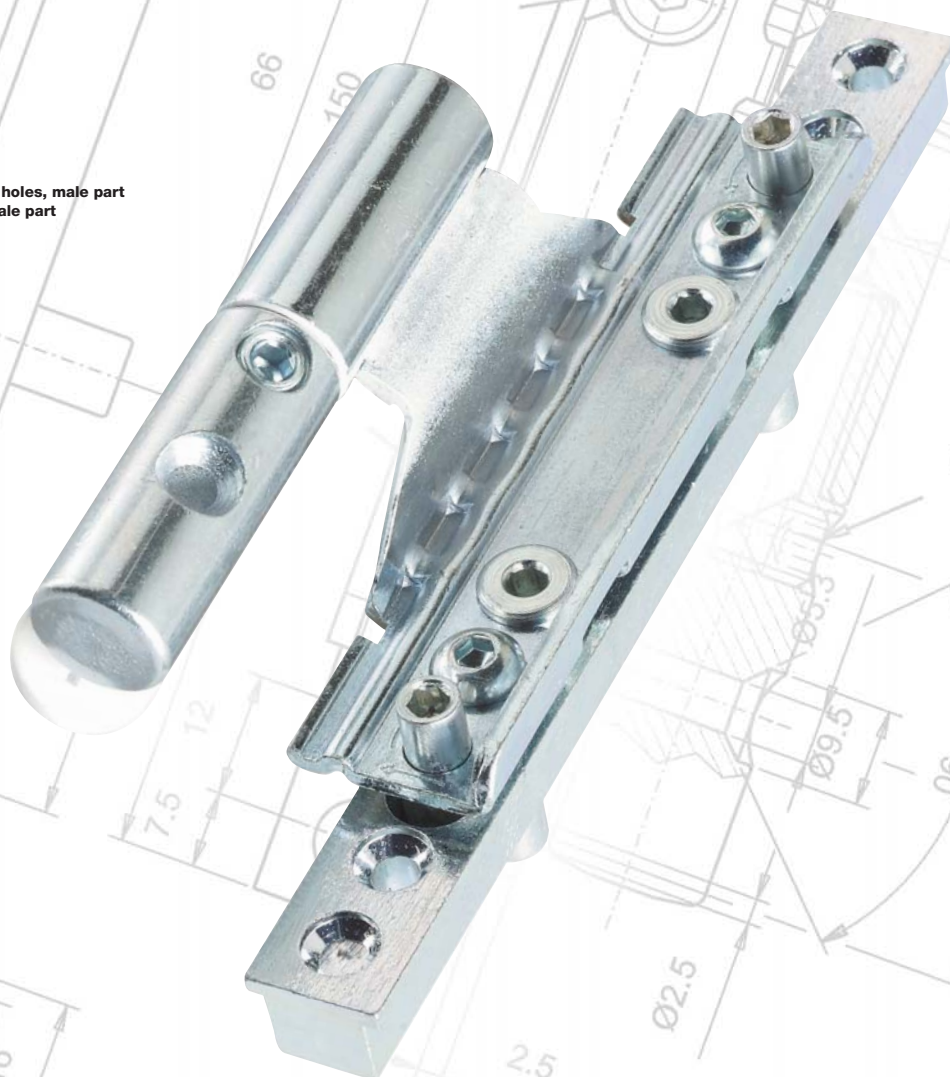
CAPS
GC 838 Ø17 Ø18
GC 846 Ø17
GC 839 Ø18



TOOLS
MA 703 483 G0 02



DRILL BITS
Ø 2.5 screw and peg holes, male part
Ø 8.0 peg holes, female part



Bixacta stems from the need for an adjustable hinge for PVC doors that also considers the impact on the door's appearance. OTLAV's Research and Development department have created this new product with the following precise objective: to create a hinge that is easy to adjust, thanks to the specific peculiarities deriving from years of experience with the Exacta range, but with a very sober design.

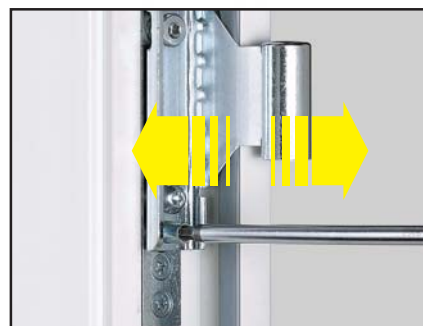
Also available for application to wooden doors.



A very simple operation allows precise vertical adjustment of the frame, with the door mounted.



The door can also be adjusted sideways with the same simplicity.



In the Bixacta 483 version it is possible to adjust the compression of the door in the rubber packing

483 Ø16 BIXACTA PVC 3D


Zinc plated

838


J7

JO

JT

JZ

838


BO

L1

OO

PF

846


J7

JI

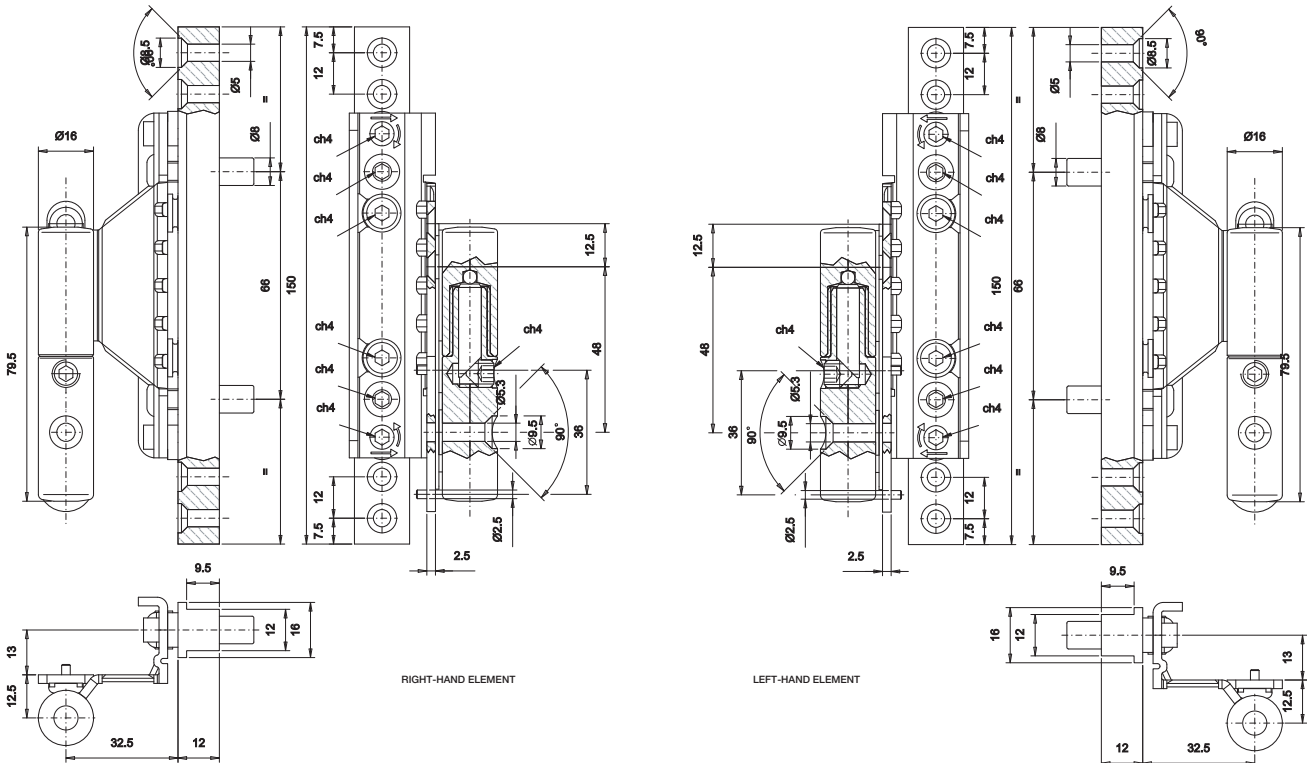
JO

JT

NEW

CF 483 160 H5 10	gr 264,90		4x12=48	13,783
Adjustable female part (right)		Zinc plated 12 µ	Box x pcs.Each	
CG 482 160 H5 04	gr 95,00		4x48=192	4,463
Adjustable male part		Zinc plated 12 µ	Box x pcs.Each	Tot. 18,246
CF 483 160 H5 11	gr 264,90		4x12=48	13,783
Adjustable female part (left)		Zinc plated 12 µ	Box x pcs.Each	
CG 482 160 H5 04	gr 95,00		4x48=192	4,463
Adjustable male part		Zinc plated 12 µ	Box x pcs.Each	Tot. 18,246
CI 483 160 P0 02	gr 366,74		4x6=24	21,000
Male part + Female part adjustable, right		Brown plastified	Box x pcs.Each	
CI 483 160 P0 04	gr 366,74		4x6=24	21,000
Male part + Female part adjustable, left		Brown plastified	Box x pcs.Each	
GC 846 170 P0 02	gr 3,42		4x40=160	1,708
Aluminium cap for Exacta, Nordex and Bixacta Ø16		Brown plastified	Box x pcs.Each	
CI 483 160 P1 02	gr 366,74		4x6=24	21,000
Male part + Female part adjustable, right		Ivory plastified (RAL 1015)	Box x pcs.Each	
CI 483 160 P1 04	gr 366,74		4x6=24	21,000
Male part + Female part adjustable, left		Ivory plastified (RAL 1015)	Box x pcs.Each	
GC 838 170 P1 02	gr 3,32		4x40=160	1,708
Aluminium cap for Exacta, Nordex and Bixacta Ø16		Ivory plastified (RAL 1015)	Box x pcs.Each	
GC 846 170 P1 02	gr 3,42		4x40=160	1,838
Aluminium cap for Exacta, Nordex and Bixacta Ø16		Ivory plastified (RAL 1015)	Box x pcs.Each	
CI 483 160 P3 03	gr 366,74		4x6=24	21,000
Male part + Female part adjustable, right		White plastified (RAL 9010)	Box x pcs.Each	
CI 483 160 P3 07	gr 366,74		4x6=24	21,000
Male part + Female part adjustable, left		White plastified (RAL 9010)	Box x pcs.Each	
GC 846 170 P3 02	gr 3,42		4x40=160	1,445
Aluminium cap for Exacta, Nordex and Bixacta Ø16		White plastified (RAL 9010)	Box x pcs.Each	
CI 483 160 P9 02	gr 366,74		4x6=24	21,000
Male part + Female part adjustable, right		Grey plastified (RAL 7035)	Box x pcs.Each	
CI 483 160 P9 04	gr 366,74		4x6=24	21,000
Male part + Female part adjustable, left		Grey plastified (RAL 7035)	Box x pcs.Each	
GC 838 170 P9 02	gr 3,32		4x40=160	1,708
Aluminium cap for Exacta, Nordex and Bixacta Ø16		Grey plastified (RAL 7035)	Box x pcs.Each	
GC 846 170 P9 02	gr 3,42		4x40=160	1,708
Aluminium cap for Exacta, Nordex and Bixacta Ø16		Grey plastified (RAL 7035)	Box x pcs.Each	

CODE	WEIGHT	PACKING	€
Description	Finishing	Box	Price per piece
CI 483 160 PI 02	gr 366,74	4x6=24	21,000
Male part + Female part adjustable, right	White plastified (RAL 9016)	Box x pcs.Each	
CI 483 160 PI 04	gr 366,74	4x6=24	21,000
Male part + Female part adjustable, left	White plastified (RAL 9016)	Box x pcs.Each	
GC 838 170 PI 02	gr 3,32	4x40=160	1,603
Aluminium cap for Exacta, Nordex and Bixacta Ø16	White plastified (RAL 9016)	Box x pcs.Each	
GC 846 170 PI 02	gr 3,42	4x40=160	1,708
Aluminium cap for Exacta, Nordex and Bixacta Ø16	White plastified (RAL 9016)	Box x pcs.Each	
CI 483 160 PU 02	gr 366,74	4x6=24	21,000
Male part + Female part adjustable, right	Clay brown plast. (RAL 8003)	Box x pcs.Each	
CI 483 160 PU 04	gr 366,74	4x6=24	21,000
Male part + Female part adjustable, left	Clay brown plast. (RAL 8003)	Box x pcs.Each	
GC 838 170 PU 02	gr 3,32	4x40=160	1,708
Aluminium cap for Exacta, Nordex and Bixacta Ø16	Clay brown plast. (RAL 8003)	Box x pcs.Each	
GC 846 170 PU 02	gr 3,42	4x40=160	1,838
Aluminium cap for Exacta, Nordex and Bixacta Ø16	Clay brown plast. (RAL 8003)	Box x pcs.Each	



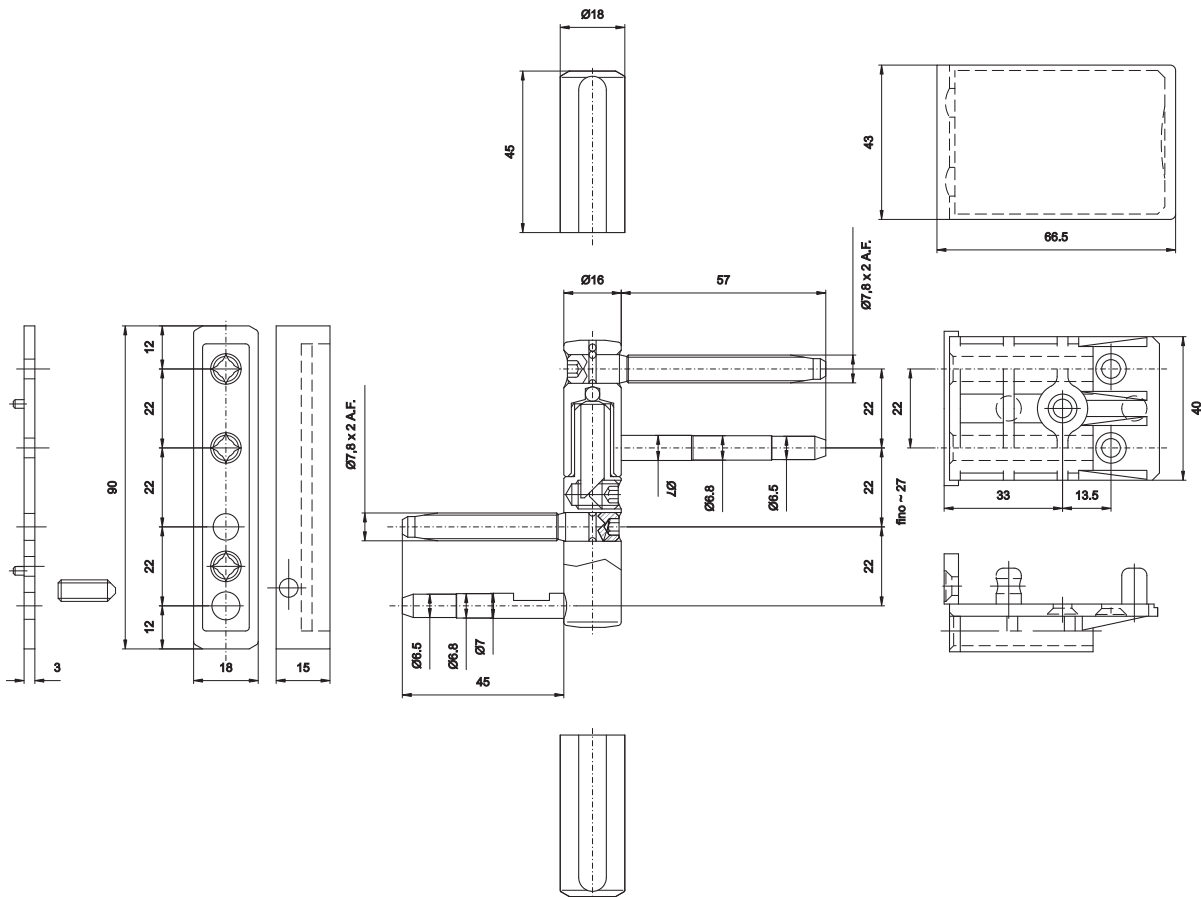
CODE	WEIGHT	PACKING	€
Description	Finishing	Box	Price per piece
CF 495 160 H1 02 Female part with 2 pins, adjustable, with nylon bush	gr 64,44 Yellow galvanised	4x50=200 Box x pcs.Each	1,970
CG 495 160 H1 02 Male part with 2 pins, adjustable	gr 96,24 Yellow galvanised	4x50=200 Box x pcs.Each	2,758 Tot. 4,728
CF 495 160 H5 02 Female part with 2 pins, adjustable, with nylon bush	gr 64,44 Zinc plated 12 µ	4x50=200 Box x pcs.Each	1,838
CG 495 160 H5 02 Male part with 2 pins, adjustable	gr 96,24 Zinc plated 12 µ	4x50=200 Box x pcs.Each	2,758 Tot. 4,596
GC 838 170 JO 02 Aluminium cap for Exacta and Bixacta Ø16	gr 3,32 Gold aluminium	4x100=400 Box x pcs.Each	1,050
JC 060 430 Y3 06 Fixing plate for female part	gr 19,24 White Nylon	4x50=200 Box x pcs.Eac	1,333
JC 066 430 YA 03 Cap for female fixing plate	gr 9,24 Gold Nylon	4x50=200 Box x pcs.Each	4,333
JC 090 180 Y3 07 Fixing plate for male part	gr 35,84 White Nylon	4x50=200 Box x pcs.Each	1,970 Tot. 8,686
GC 838 180 Y3 03 Cap for Exacta and Bixacta Ø16	gr 2,41 White Nylon	4x150=600 Box x pcs.Each	0,198
JC 060 430 Y3 06 Fixing plate for female part	gr 19,24 White Nylon	4x50=200 Box x pcs.Each	1,333
JC 066 430 Y3 03 Cap for female fixing plate	gr 9,24 White Nylon	4x50=200 Box x pcs.Each	0,930
JC 090 180 Y3 07 Fixing plate for male part	gr 35,84 White Nylon	4x50=200 Box x pcs.Each	1,970 Tot. 4,431
GC 838 180 Y5 01 Cap for Exacta and Bixacta Ø16	gr 2,41 Blue White Nylon	4x150=600 Box x pcs.Each	0,198
JC 060 430 Y3 06 Fixing plate for female part	gr 19,24 White Nylon	4x50=200 Box x pcs.Each	1,333
JC 066 430 Y5 01 Cap for female fixing plate	gr 9,24 Blue White Nylon	4x50=200 Box x pcs.Each	0,930
JC 090 180 Y5 07 Fixing plate for male part	gr 35,84 Blue White Nylon	4x50=200 Box x pcs.Each	1,970 Tot 4,431
GC 838 180 Y8 04 Cap for Exacta and Bixacta Ø16	gr 2,41 Dark Brown Nylon	4x150=600 Box x pcs.Each	0,198
JC 060 430 Y8 06 Fixing plate for female part	gr 19,24 Dark Brown Nylon	4x50=200 Box x pcs.Each	1,448

495 Ø16 EXACTA PVC



495 Ø16 ANTI-INTRUSION EXACTA PVC

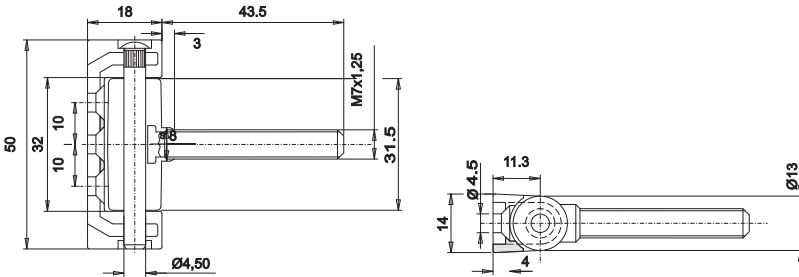

CF 495 160 H1 07	gr 71,44		4x50=200	2,233
Female part with 2 pins (57 mm), adjustable, with nylon bush		Yellow galvanised	Box x pcs.Each	
CG 495 160 H1 13	gr 95,64		4x50=200	3,150
Male part with 2 pins, anti-intrusion, adjustable		Yellow galvanised	Box x pcs.Each	Tot. 5,383
CF 495 160 H5 07	gr 71,44		4x50=200	1,943
Female part with 2 pins (57 mm), adjustable, with nylon bush		Zinc plated 12 µ	Box x pcs.Each	
CG 495 160 H5 12	gr 95,64		4x50=200	3,150
Male part with 2 pins, anti-intrusion, adjustable		Zinc plated 12 µ	Box x pcs.Each	Tot. 5,093
GC 838 180 Y3 03	gr 2,41		4x150=600	0,198
Cap for Exacta and Bixacta Ø16		White Nylon	Box x pcs.Each	
JC 060 430 G0 02	gr 101,84		4x50=200	5,480
Fixing plate for female part anti-intrusion		Natural	Box x pcs.Each	
JC 067 430 Y3 02	gr 8,44		4x50=200	1,240
Cap for female fixing plate		White Nylon	Box x pcs.Each	
JC 090 180 Y3 14	gr 37,44		4x50=200	2,625
Fixing plate for male part anti-intrusion		White Nylon	Box x pcs.Each	Tot. 9,543



P05 Ø13 (M7 x 43)



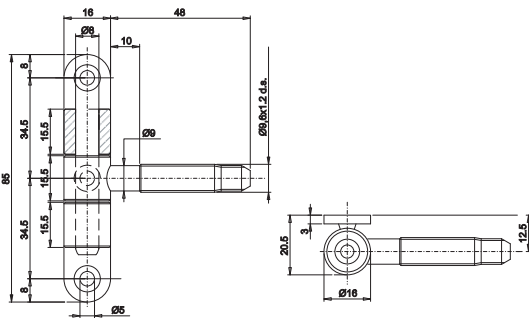
CI P05 130 A3 06	gr 39,40	4x80=320	1,228
Male part + Female part + pivot assembled	White resin	Box x pcs.Each	



P08 Ø16 (9,6 x 48)



CI P08 160 H0 02	gr 120,80	4x40=160	1,708
Male part + Female part + pivot assembled	Zinc plated	Box x pcs.Each	

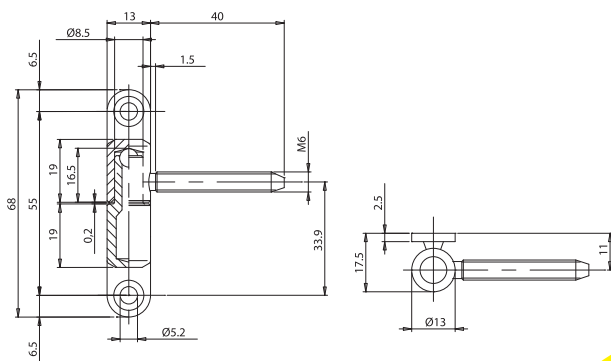


P09 Ø13 (M6 x 40)



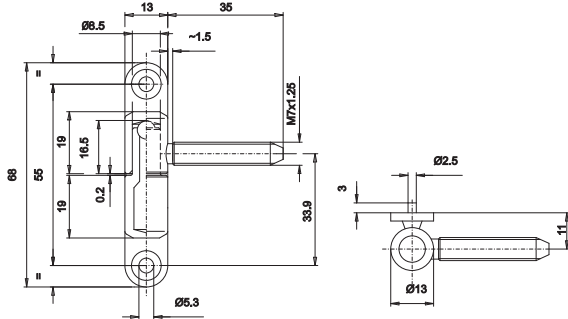
CF 030 130 P3 49	gr 16,50	1x342=342	0,395
Female part on loader (M6 x 40)	White plastified (RAL 9010)	Box x pcs.Each	

CG P09 130 P3 06	gr 32,17	4x130=520	0,573
Male part on plate with 2 holes	White plastified (RAL 9010)	Box x pcs.Each	Tot. 0,968



P09 Ø13 (M7 x 35)


White plastified


CF 030 130 PJ 10

gr 18,50

1x342=342

0,420

Female part on loader (M7 x 35)

Snow-white plastified Box x pcs.Each

CG P09 130 PJ 06

gr 31,65

4x104=416

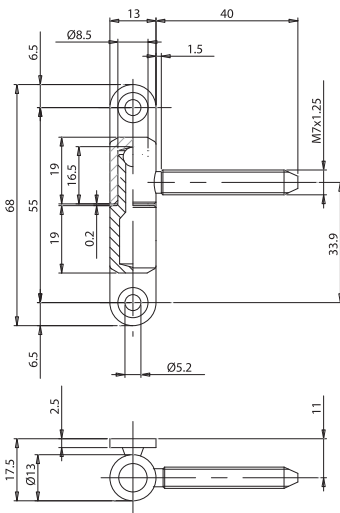
0,710

Male part on plate with 2 holes

Snow-white plastified Box x pcs.Each

Tot. 1,130
P09 Ø13 (M7 x 40)


White plastified


CF 030 130 H0 23

gr 19,80

1x500=500

0,180

Female part (M7 x 40)

Zinc plated

Box x pcs.Each

CG P09 130 H0 05

gr 31,59

1x500=500

0,325

Male part on plate with 2 holes

Zinc plated

Box x pcs.Each

Tot. 0,505
CF 030 130 H1 41

gr 19,80

1x500=500

0,180

Female part (M7 x 40)

Yellow galvanised

Box x pcs.Each

CG P09 130 H1 08

gr 31,59

1x500=500

0,325

Male part on plate with 2 holes

Yellow galvanised

Box x pcs.Each

Tot. 0,505
CF 030 130 O0 08

gr 19,80

1x500=500

0,263

Female part (M7 x 40)

Brass plated

Box x pcs.Each

CG P09 130 O0 04

gr 31,59

1x500=500

0,398

Male part on plate with 2 holes

Brass plated

Box x pcs.Each

Tot. 0,661
CF 030 130 P0 18

gr 18,87

1x342=342

0,368

Female part on loader (M7 x 40)

Brown plastified

Box x pcs.Each

CG P09 130 P0 06

gr 32,17

4x130=520

0,670

Male part on plate with 2 holes

Brown plastified

Box x pcs.Each

Tot. 1,038
CF 030 130 P3 47

gr 18,87

1x342=342

0,368

Female part on loader (M7 x 40)

White plastified (RAL 9010) Box x pcs.Each

CG P09 130 P3 06

gr 32,17

4x130=520

0,573

Male part on plate with 2 holes

White plastified (RAL 9010) Box x pcs.Each

Tot. 0,941
CF 030 130 P9 04

gr 18,87

1x342=342

0,395

Female part on loader (M7 x 40)

Grey plastified (RAL 7035) Box x pcs.Each

CG P09 130 P9 02

gr 32,17

4x130=520

0,670

Male part on plate with 2 holes

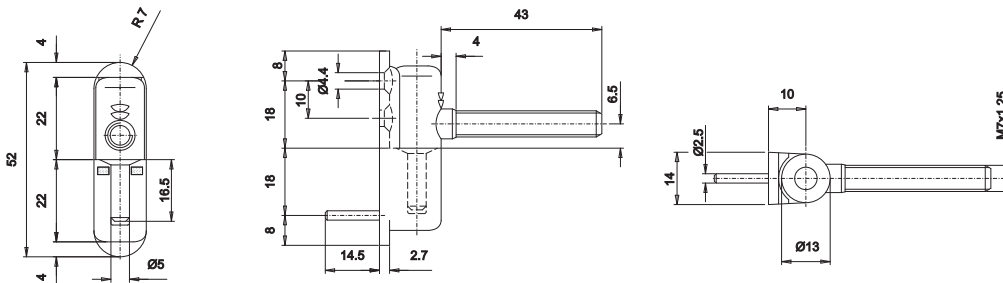
Grey plastified (RAL 7035) Box x pcs.Each

Tot. 1,065

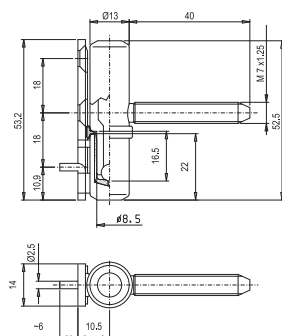
CF 030 130 PD 09 Female part on loader (M7 x 40)	gr 18,87	1x342=342 Beige plastified (RAL 1013) Box x pcs.Each	0,395
CG P09 130 PD 03 Male part on plate with 2 holes	gr 32,17	4x130=520 Beige plastified (RAL 1013) Box x pcs.Each	0,573 Tot. 0,968
CF 030 130 PI 02 Female part on loader (M7 x 40)	gr 18,87	1x342=342 White plastified (RAL 9016) Box x pcs.Each	0,395
CG P09 130 PI 02 Male part on plate with 2 holes	gr 33,10	4x130=520 White plastified (RAL 9016) Box x pcs.Each	0,573 Tot. 0,968
CF 030 130 PU 02 Female part on loader (M7 x 40)	gr 18,87	1x342=342 Clay brown plast. (RAL 8003) Box x pcs.Each	0,368
CG P09 130 PU 03 Male part on plate with 2 holes	gr 32,17	4x130=520 Clay brown plast. (RAL 8003) Box x pcs.Each	0,670 Tot. 1,038

P19 Ø13 (M7 x 43)


CG 060 130 A3 36 Male part in anticorrosion resin	gr 20,24	1x750=750 White resin Box x pcs.Each	0,408
CG P19 130 A3 04 Lower part in anticorrosion resin	gr 9,95	1x750=750 White resin Box x pcs.Each	0,605 Tot. 1,013

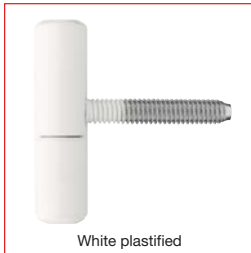

P36 Ø13 (M7 X 40 Bush with Nylon ring)


CF P39 130 P0 10 Male part (M7 x 40) on loader	gr 30,27	1x342=342 Brown plastified Box x pcs.Each	0,553
CG P36 130 P0 02 Lower part with nylon bush	gr 24,66	4x170=680 Brown plastified Box x pcs.Each	on demand
CF P39 130 P1 05 Male part (M7 x 40) on loader	gr 30,27	1x342=342 Ivory plastified (RAL 1015) Box x pcs.Each	0,553
CG P36 130 P1 02 Lower part with nylon bush	gr 24,66	4x170=680 Ivory plastified (RAL 1015) Box x pcs.Each	on demand
CF P39 130 P3 16 Male part (M7 x 40) on loader	gr 30,27	1x342=342 White plastified (RAL 9010) Box x pcs.Each	0,538
CG P36 130 P3 02 Lower part with nylon bush	gr 24,66	4x170=680 White plastified (RAL 9010) Box x pcs.Each	on demand

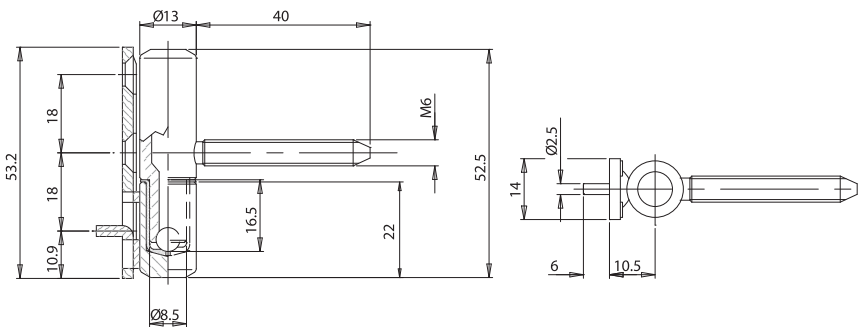


CODE	WEIGHT	PACKING	€
Description	Finishing	Box	Price per piece
CF P39 130 P9 05 Male part (M7 x 40) on loader	gr 30,27	1x342=342	0,553
		Grey plastified (RAL 7035) Box x pcs.Each	
CG P36 130 P9 02 Lower part with nylon bush	gr 24,66	4x170=680	on demand
		Grey plastified (RAL 7035) Box x pcs.Each	

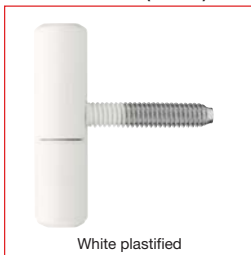
P38 Ø13 (M6 X 40)



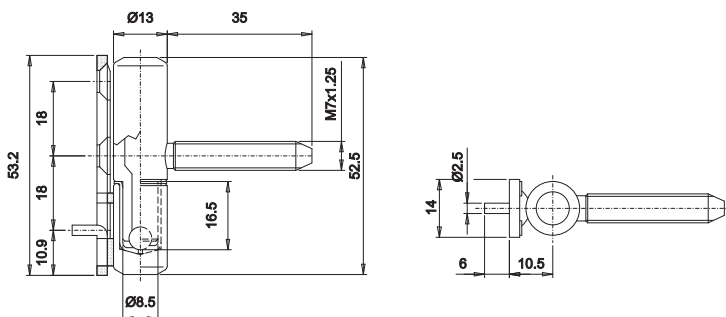
CF P39 130 P3 24 Male part (M6 x 40) on loader	gr 30,00	1x342=342	on demand
		White plastified (RAL 9010) Box x pcs.Each	
CG P38 130 P3 11 Lower part with nylon bush on loader	gr 24,90	1x504=504	0,710
		White plastified (RAL 9010) Box x pcs.Each	



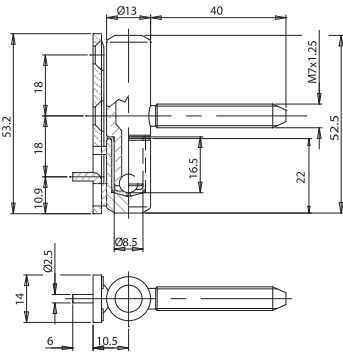
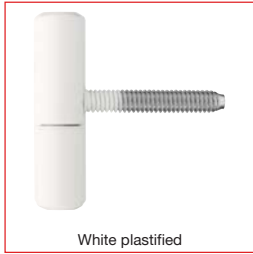
P38 Ø13 (M7 X 35)



CF P39 130 P3 13 Male part (M7 x 35) on loader	gr 29,64	1x342=342	0,538
		White plastified (RAL 9010) Box x pcs.Each	
CG P38 130 P3 11 Lower part with nylon bush on loader	gr 24,90	1x504=504	0,710
		White plastified (RAL 9010) Box x pcs.Each	Tot. 1,248



CODE	WEIGHT	PACKING	€
Description	Finishing	Box	Price per piece
P38 Ø13 (M7 x 40) CF P39 130 9F 04 Male part (M7 x 40) on loader	gr 30,27	1x342=342 Grey plastified (9F) Box x pcs.Each	0,565
CG P38 130 9F 03 Lower part with nylon bush	gr 24,90	4x170=680 Grey plastified (9F) Box x pcs.Each	0,788 Tot. 1,353
CF P39 130 P0 10 Male part (M7 x 40) on loader	gr 30,27	1x342=342 Brown plastified Box x pcs.Each	0,553
CG P38 130 P0 03 Lower part with nylon bush	gr 26,78	4x170=680 Brown plastified Box x pcs.Each	0,710 Tot. 1,263
CF P39 130 P1 05 Male part (M7 x 40) on loader	gr 30,27	1x342=342 Ivory plastified (RAL 1015) Box x pcs.Each	0,553
CG P38 130 P1 03 Lower part with nylon bush	gr 24,66	4x170=680 Ivory plastified (RAL 1015) Box x pcs.Each	0,788 Tot. 1,341
CF P39 130 P3 16 Male part (M7 x 40) on loader	gr 30,27	1x342=342 White plastified (RAL 9010) Box x pcs.Each	0,538
CG P38 130 P3 11 Lower part with nylon bush on loader	gr 24,90	1x504=504 White plastified (RAL 9010) Box x pcs.Each	0,710 Tot. 1,248
CF P39 130 P9 05 Male part (M7 x 40) on loader	gr 30,27	1x342=342 Grey plastified (RAL 7035) Box x pcs.Each	0,553
CG P38 130 P9 04 Lower part with nylon bush on loader	gr 24,66	1x504=504 Grey plastified (RAL 7035) Box x pcs.Each	0,788 Tot. 1,341
CF P39 130 PD 07 Male part (M7 x 40) on loader	gr 30,27	1x342=342 Beige plastified (RAL 1013) Box x pcs.Each	0,553
CG P38 130 PD 04 Lower part with nylon bush on loader	gr 24,66	1x504=504 Beige plastified (RAL 1013) Box x pcs.Each	0,710 Tot. 1,263
CF P39 130 PI 04 Male part (M7 x 40) on loader	gr 33,15	1x342=342 White plastified (RAL 9016) Box x pcs.Each	0,553
CG P38 130 PI 07 Lower part with nylon bush on loader	gr 24,90	1x504=504 White plastified (RAL 9016) Box x pcs.Each	0,710 Tot. 1,263
CF P39 130 PU 02 Male part (M7 x 40) on loader	gr 30,27	1x342=342 Clay brown plast. (RAL 8003) Box x pcs.Each	0,553
CG P38 130 PU 04 Lower part with nylon bush on loader	gr 24,66	1x504=504 Clay brown plast. (RAL 8003) Box x pcs.Each	0,788 Tot. 1,341



P39 Ø13 (M6 x 40)


CF P39 130 P3 24
Male part (M6 x 40) on loader

gr 30,00

White plastified (RAL 9010) Box x pcs.Each

1x342=342

on demand

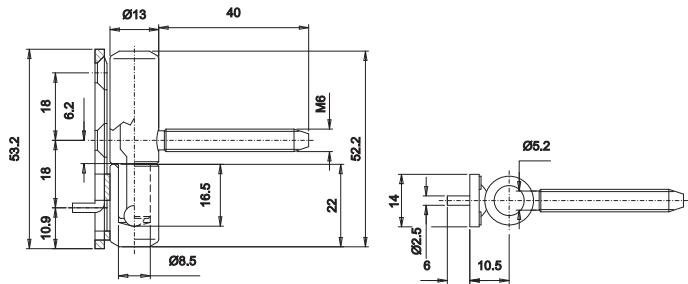
CG P39 130 P3 15
Lower part

gr 27,13

White plastified (RAL 9010) Box x pcs.Each

4x170=680

0,565


P39 Ø13 (M7 x 35)


CF P39 130 P3 13
Male part (M7 x 35) on loader

gr 29,64

White plastified (RAL 9010) Box x pcs.Each

1x342=342

0,538

CG P39 130 P3 15
Lower part

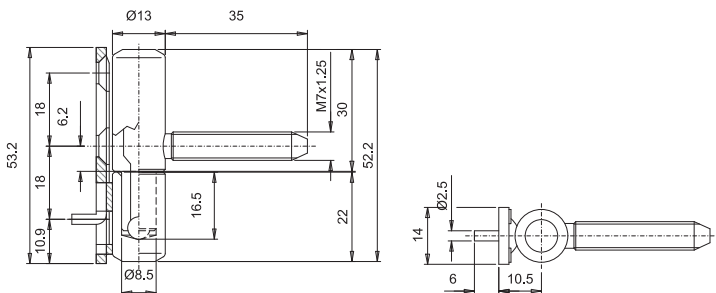
gr 27,13

White plastified (RAL 9010) Box x pcs.Each

4x170=680

0,565

Tot. 1,103


P39 Ø13 (M7 x 40)


CF P39 130 P0 10
Male part (M7 x 40) on loader

gr 30,27

Brown plastified Box x pcs.Each

1x342=342

0,553

CG P39 130 P0 02
Lower part

gr 27,13

Brown plastified Box x pcs.Each

4x170=680

0,565

Tot. 1,118

CF P39 130 P1 05
Male part (M7 x 40) on loader

gr 30,27

Ivory plastified (RAL 1015) Box x pcs.Each

1x342=342

0,553

CG P39 130 P1 02
Lower part

gr 27,13

Ivory plastified (RAL 1015) Box x pcs.Each

4x170=680

0,578

Tot. 1,131

CF P39 130 P3 16
Male part (M7 x 40) on loader

gr 30,27

White plastified (RAL 9010) Box x pcs.Each

1x342=342

0,538

CG P39 130 P3 15
Lower part

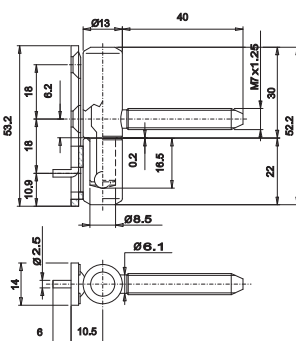
gr 27,13

White plastified (RAL 9010) Box x pcs.Each

4x170=680

0,565

Tot. 1,103

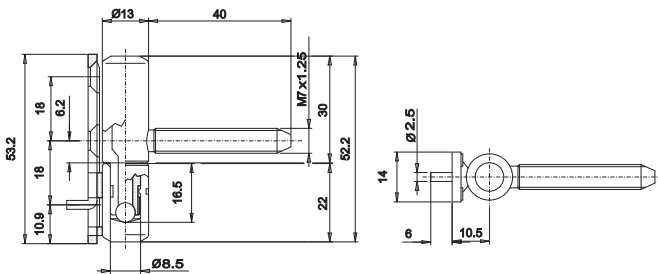


CODE	WEIGHT	PACKING	€
Description	Finishing	Box	Price per piece
CF P39 130 PU 02	gr 30,27	1x342=342	0,553
Male part (M7 x 40) on loader	Clay brown plast. (RAL 8003)	Box x pcs.Each	
CG P39 130 PU 02	gr 27,13	4x170=680	0,565
Lower part	Clay brown plast. (RAL 8003)	Box x pcs.Each	Tot. 1,118

P39 Ø13 (M7 x 40) Wasistas



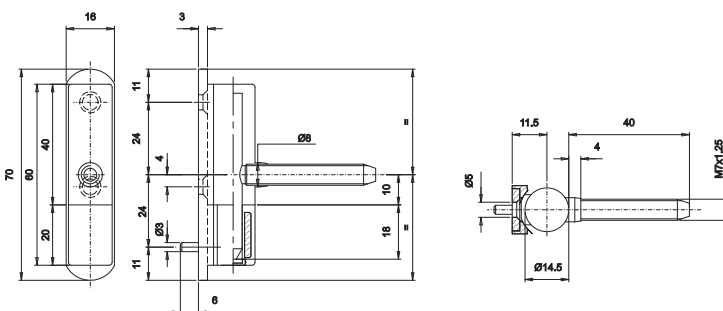
CF P39 130 P3 26	gr 32,15	1x342=342	0,723
Male part (M7 x 40) on loader wasistas	White plastified (RAL 9010)	Box x pcs.Each	
CG P39 130 P3 17	gr 26,78	4x170=680	0,710
Lower part wasistas	White plastified (RAL 9010)	Box x pcs.Each	Tot. 1,433

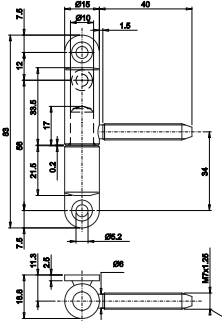


P44 Ø14,5 (M7 x 40)



CF P44 145 A3 07	gr 27,43	1x400=400	0,780
Male part in anticorrosion resin	White resin	Box x pcs.Each	
CG P44 145 A3 04	gr 26,90	1x400=400	1,060
Lower part in anticorrosion resin	White resin	Box x pcs.Each	Tot. 1,840



P50 Ø15 (M7 x 40)

CF P50 150 H0 47

gr 42,15

Female part (M7 x 40)

Zinc plated

1x400=400

Box x pcs.Each

0,315

CG P50 150 H0 05

gr 44,35

Male part on plate with 3 holes

Zinc plated

1x400=400

Box x pcs.Each

0,488

Tot. 0,803
CF P50 150 P0 28

gr 42,45

Female part (M7 x 40)

Brown plastified

4x90=360

Box x pcs.Each

0,520

CG P50 150 P0 06

gr 45,02

Male part on plate with 3 holes

Brown plastified

4x90=360

Box x pcs.Each

0,730

Tot. 1,250
CF P50 150 P3 92

gr 41,58

Female part on loader (M7 x 40)

White plastified (RAL 9010)

1x270=270

Box x pcs.Each

0,508

CG P50 150 P3 12

gr 44,47

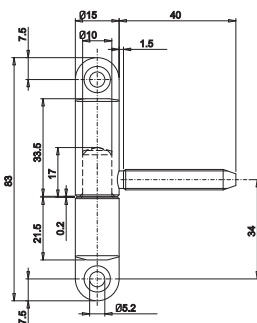
Male part on plate with 3 holes

White plastified (RAL 9010)

4x90=360

Box x pcs.Each

0,728

Tot. 1,236
P50 Ø15 (M7 x 40, male part with 2 holes)

CF P50 150 P3 92

gr 41,58

Female part on loader (M7 x 40)

White plastified (RAL 9010)

1x270=270

Box x pcs.Each

0,508

CG P50 150 P3 13

gr 45,02

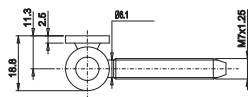
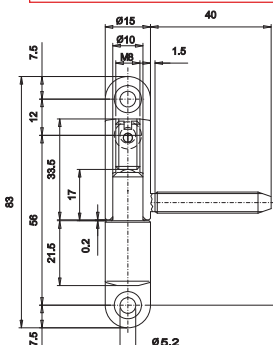
Male part on plate with 2 holes

White plastified (RAL 9010)

4x90=360

Box x pcs.Each

0,728

Tot. 1,236

P50 Ø15 ADJUSTABLE (M7 x 40)

CF P50 150 P3 62

gr 41,58

Adjustable female part (M7x40)

White plastified (RAL 9010)

4x90=360

Box x pcs.Each

1,708

CG P50 150 P3 12

gr 44,47

Male part on plate with 3 holes

White plastified (RAL 9010)

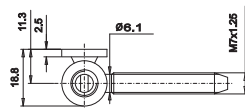
4x90=360

Box x pcs.Each

0,728

Tot. 2,436

REGOLAZ. FINO A 6 mm



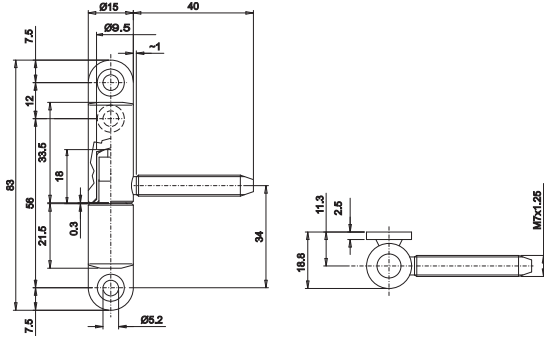
P50 Ø15 Stainless steel



Stainless steel

CF P50 150 G0 03	gr 43,95	4x90=360	on demand
Female part (M7 x 40)		Box x pcs.Each	

CG P50 150 G0 04	gr 44,68	4x90=360	on demand
Male part on plate with 3 holes		Box x pcs.Each	



P50 Ø15 (M7 x 50)



Zinc plated

CF P50 150 H0 48	gr 44,43	1x400=400	0,335
Female part (M7 x 50)		Box x pcs.Each	

CG P50 150 H0 05	gr 44,35	1x400=400	0,488
Male part on plate with 3 holes		Box x pcs.Each	Tot. 0,823

CF P50 150 P0 25	gr 44,91	4x90=360	0,538
Female part (M7 x 50)		Box x pcs.Each	

CG P50 150 P0 06	gr 45,02	4x90=360	0,730
Male part on plate with 3 holes		Box x pcs.Each	Tot. 1,268

CF P50 150 P3 91	gr 44,17	1x270=270	0,525
Female part on loader (M7 x 50)		White plastified (RAL 9010) Box x pcs.Each	

CG P50 150 P3 12	gr 44,47	4x90=360	0,728
Male part on plate with 3 holes		White plastified (RAL 9010) Box x pcs.Each	Tot. 1,253

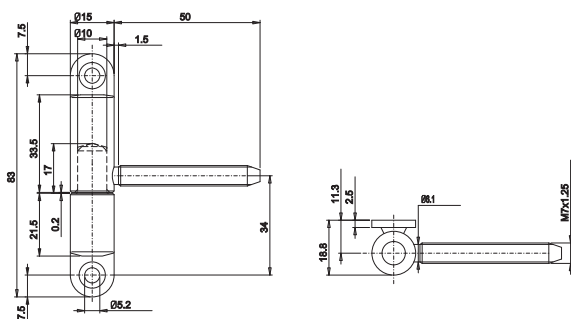
P50 Ø15 (M7 x 50, male part with 2 holes)



White plastified

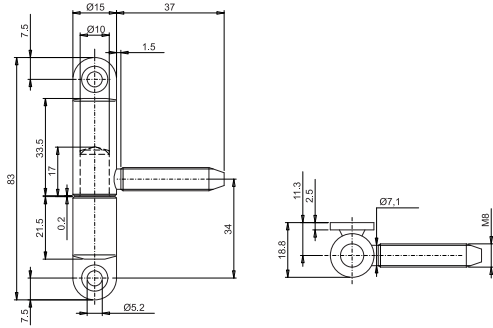
CF P50 150 P3 91	gr 44,17	1x270=270	0,525
Female part on loader (M7 x 50)		White plastified (RAL 9010) Box x pcs.Each	

CG P50 150 P3 13	gr 45,02	4x90=360	0,728
Male part on plate with 2 holes		White plastified (RAL 9010) Box x pcs.Each	Tot. 1,253



P50 Ø15 (M8 x 37)


White plastified


CF P50 150 P3 90

gr 45,24

4x90=360

0,578

Female part (M8 x 37)

White plastified (RAL 9010) Box x pcs.Each

CG P50 150 P3 12

gr 44,47

4x90=360

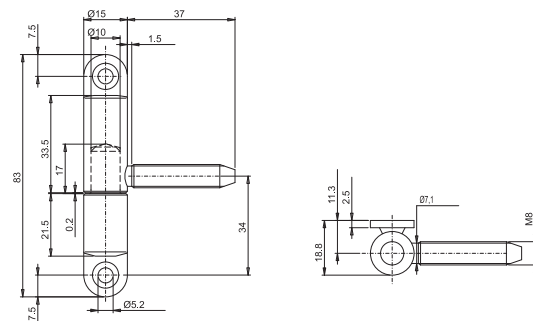
0,728

Male part on plate with 3 holes

White plastified (RAL 9010) Box x pcs.Each

Tot. 1,306
P50 Ø15 (M8 x 37, male part with 2 holes)


White plastified


CF P50 150 P3 90

gr 45,24

4x90=360

0,578

Female part (M8 x 37)

White plastified (RAL 9010) Box x pcs.Each

CG P50 150 P3 13

gr 45,02

4x90=360

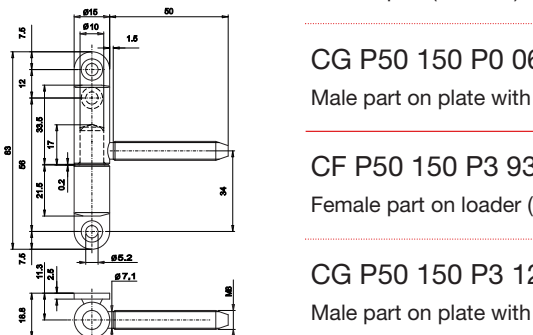
0,728

Male part on plate with 2 holes

White plastified (RAL 9010) Box x pcs.Each

Tot. 1,306
P50 Ø15 (M8 x 50)


Brown plastified


CF P50 150 H0 49

gr 48,40

1x400=400

0,448

Female part (M8 x 50)

Zinc plated

Box x pcs.Each

CG P50 150 H0 05

gr 44,35

1x400=400

0,488

Male part on plate with 3 holes

Zinc plated

Box x pcs.Each

Tot. 0,936
CF P50 150 P0 26

gr 48,91

4x90=360

0,588

Female part (M8 x 50)

Brown plastified

Box x pcs.Each

CG P50 150 P0 06

gr 45,02

4x90=360

0,730

Male part on plate with 3 holes

Brown plastified

Box x pcs.Each

Tot. 1,318
CF P50 150 P3 93

gr 47,62

1x270=270

0,575

Female part on loader (M8 x 50)

White plastified (RAL 9010) Box x pcs.Each

CG P50 150 P3 12

gr 44,47

4x90=360

0,728

Male part on plate with 3 holes

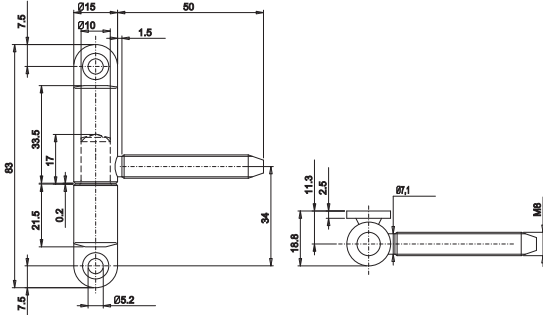
White plastified (RAL 9010) Box x pcs.Each

Tot. 1,303

P50 Ø15 (M8 x 50, male part with 2 holes)



White plastified

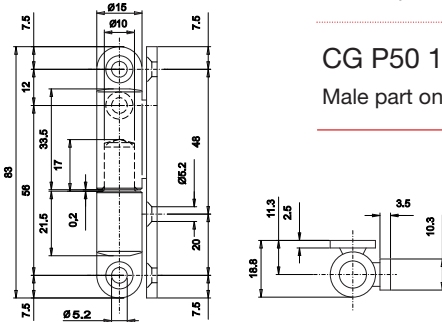


CF P50 150 P3 93	gr 47,62	1x270=270	0,575
Female part on loader (M8 x 50)		White plastified (RAL 9010) Box x pcs.Each	
CG P50 150 P3 13	gr 45,02	4x90=360	0,728
Male part on plate with 2 holes		White plastified (RAL 9010) Box x pcs.Each	Tot. 1,303

P50 Ø15 (2 Plates)



White plastified

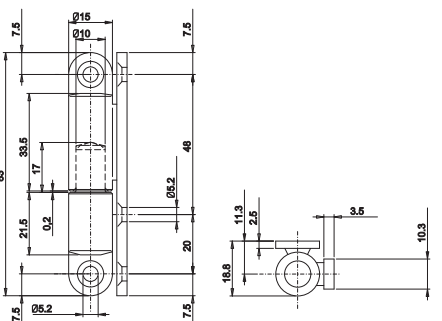


CF P50 150 H0 46	gr 52,95	1x400=400	0,585
Female part on plate		Zinc plated Box x pcs.Each	
CG P50 150 H0 05	gr 44,35	1x400=400	0,488
Male part on plate with 3 holes		Zinc plated Box x pcs.Each	Tot. 1,073
CF P50 150 P3 61	gr 53,13	4x90=360	0,690
Female part on plate		White plastified (RAL 9010) Box x pcs.Each	
CG P50 150 P3 12	gr 44,47	4x90=360	0,728
Male part on plate with 3 holes		White plastified (RAL 9010) Box x pcs.Each	Tot. 1,418

P50 Ø15 (2 Plates, male part with 2 holes)



White plastified



CF P50 150 P3 61	gr 53,13	4x90=360	0,690
Female part on plate		White plastified (RAL 9010) Box x pcs.Each	
CG P50 150 P3 13	gr 45,02	4x90=360	0,728
Male part on plate with 2 holes		White plastified (RAL 9010) Box x pcs.Each	Tot. 1,418

NP 040 (M7)
NP 040 100 P3 05

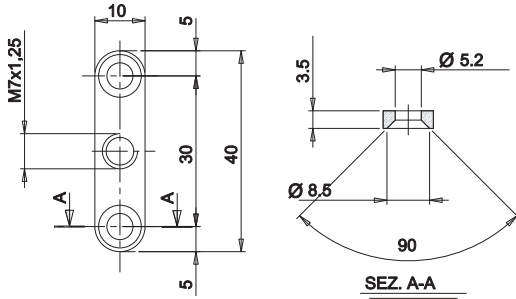
gr 7,19

8x350=2800

0,525

Fixing plate with 3 holes for M7

White plastified (RAL 9010) Box x pcs.Each


NP 060 (M7)
NP 060 140 A3 04

gr 14,43

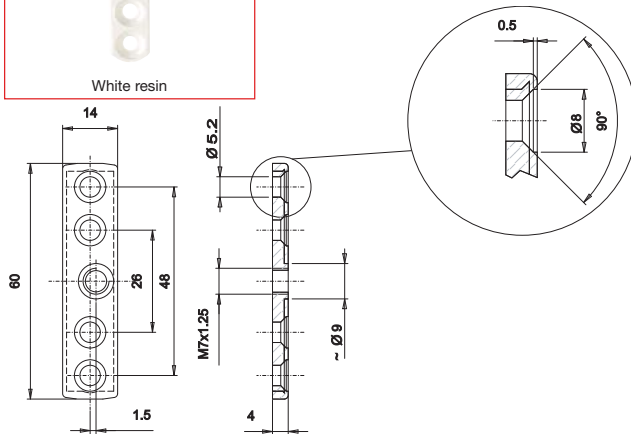
1x1000=1000

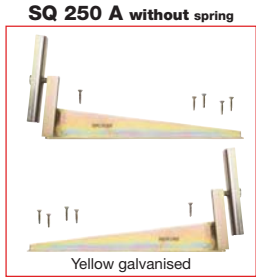
0,610

Fixing plate in anticorrosion resin with 5 holes for M7

White resin

Box x pcs.Each

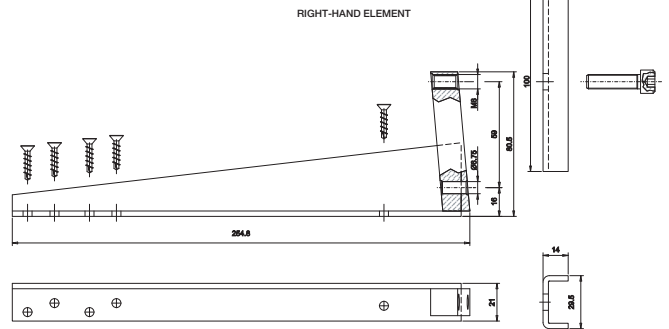
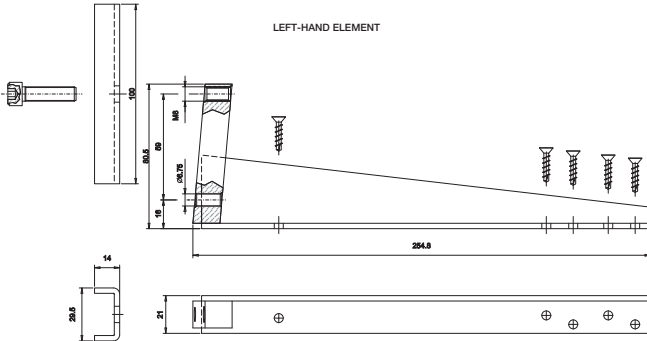




SQ 250 021 H1 07	gr 511,40	1x20=20	17,063
Adjustable corner reinforcement square without spring	Yellow galvanized	Box x pcs.Each	

SQ 250 021 H1 08	gr 511,40	1x20=20	17,063
Adjustable corner reinforcement square without spring	Yellow galvanized	Box x pcs.Each	

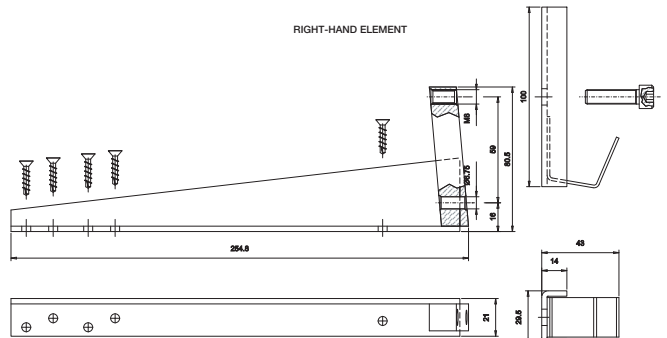
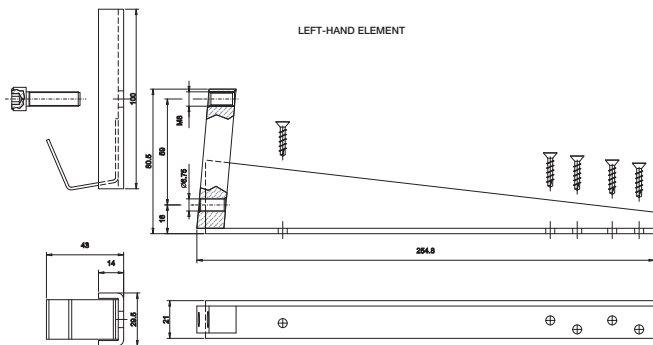
NEW

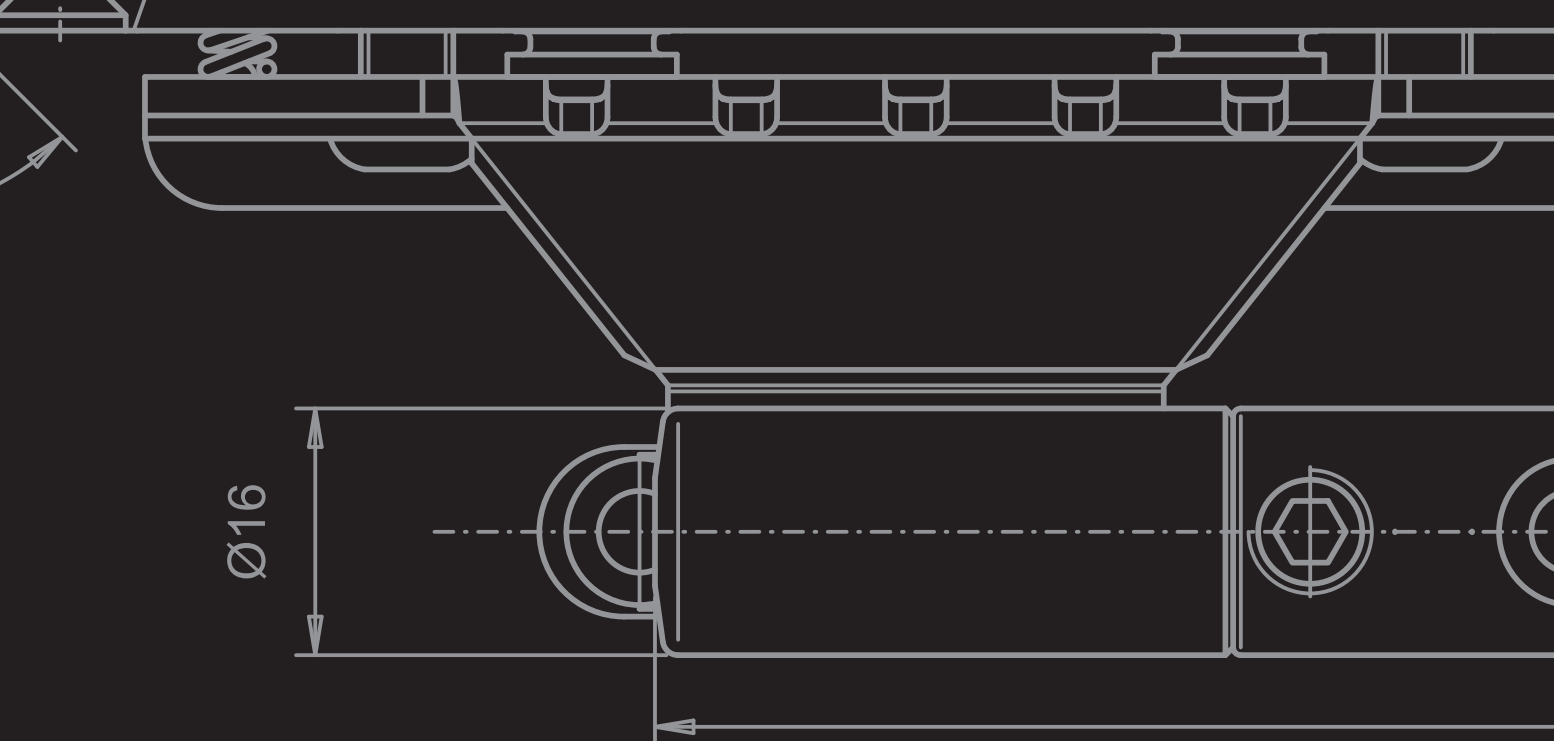
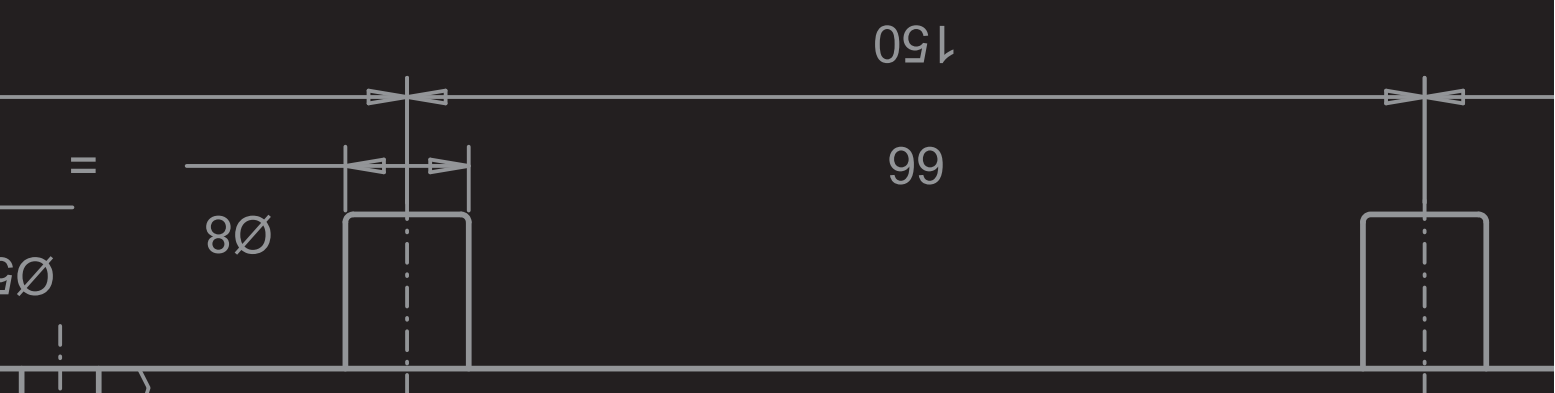
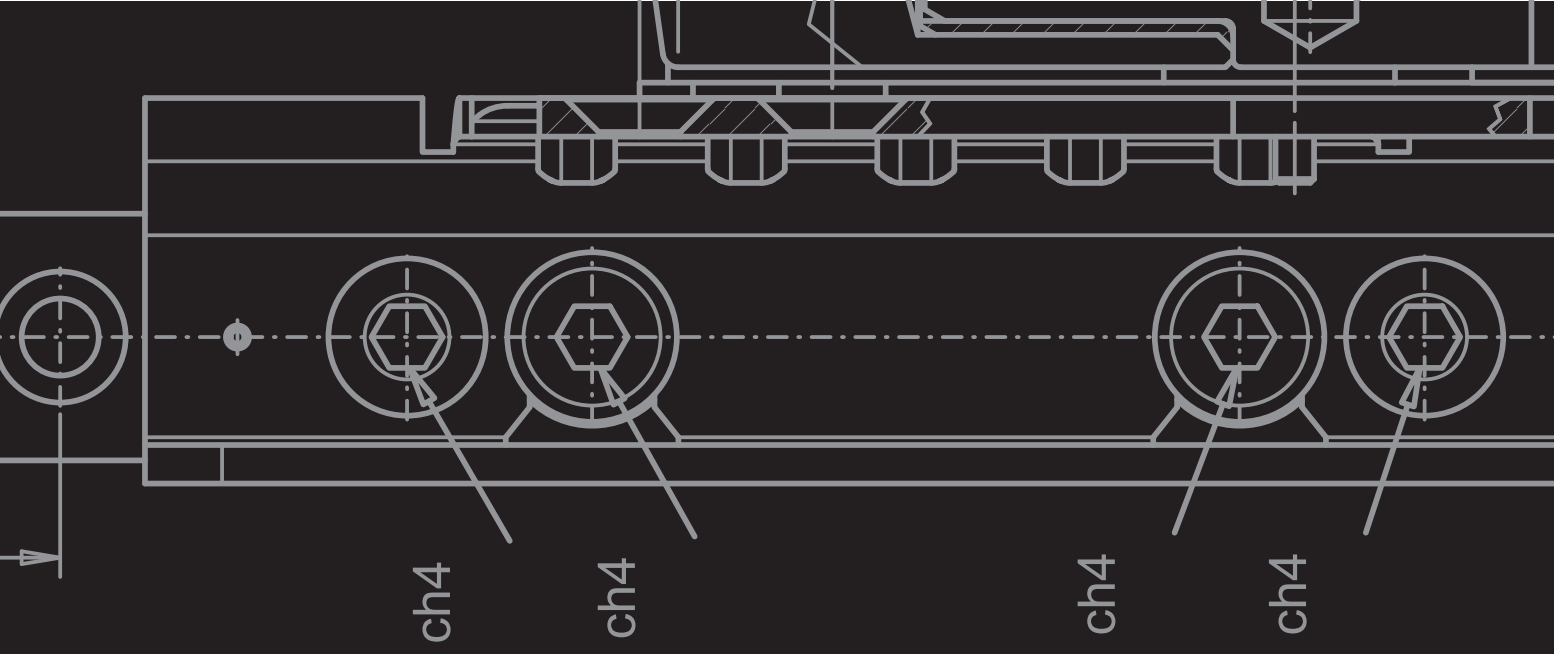


SQ 250 021 H1 09	gr 535,40	1x20=20	27,563
Adjustable corner reinforcement square with spring	Yellow galvanized	Box x pcs.Each	

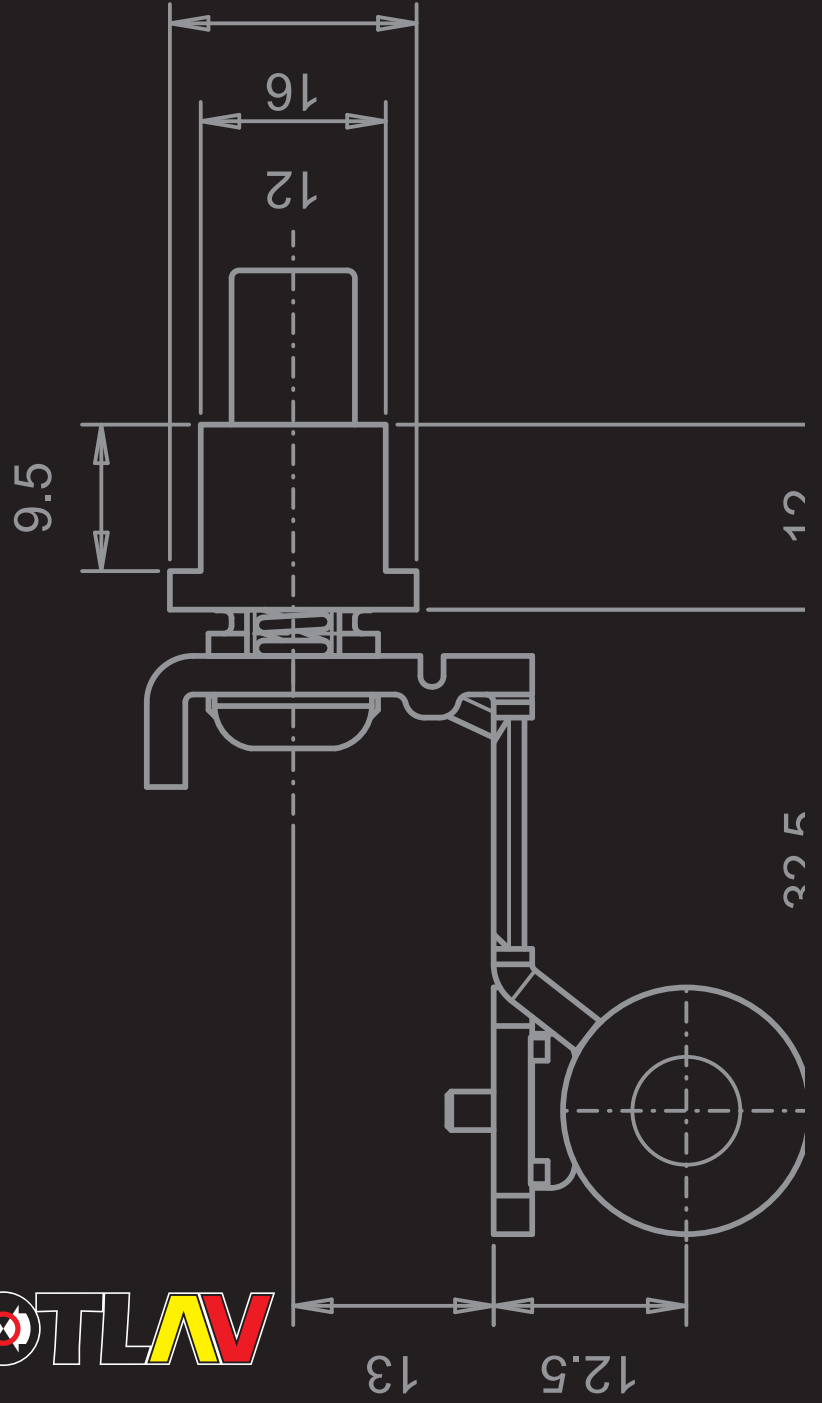
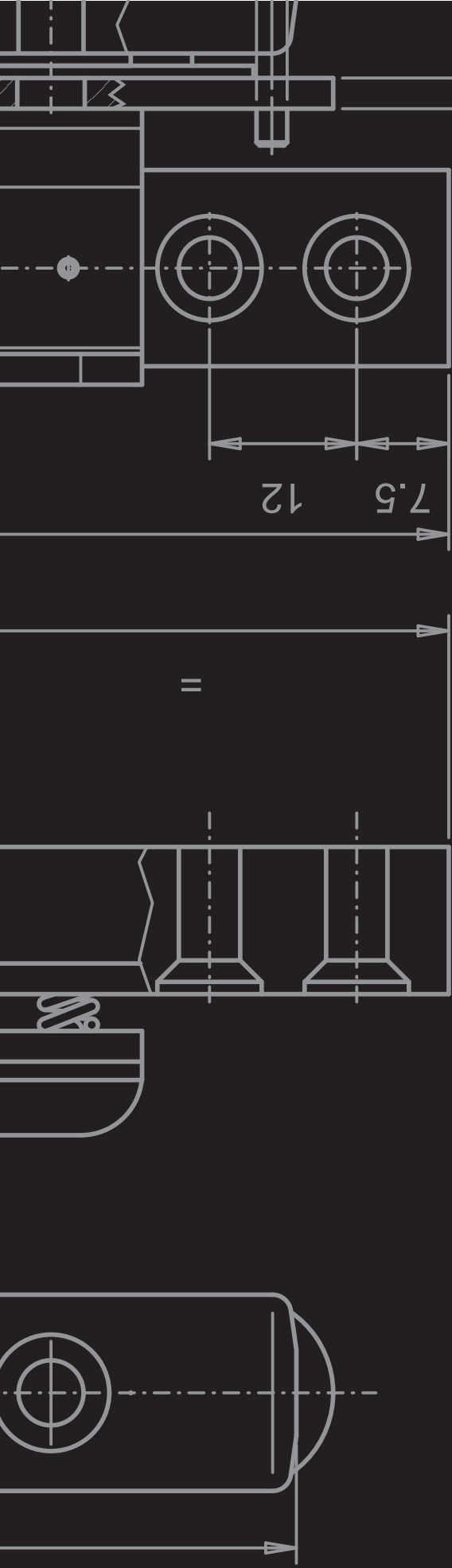
SQ 250 021 H1 10	gr 535,40	1x20=20	27,563
Adjustable corner reinforcement square with spring	Yellow galvanized	Box x pcs.Each	

NEW





TEST



TEST IN SALIN FOG

RESULTS FINISHING RESISTANCE

Finishing	Description	Duration (in hours)	Intended use
A3	White Resin	More than 730	Grade 4
B0	Bronze Plated	24	Grade 1
B1	Special Bronze Plated	24	Grade 1
H0	Zinc Plated 5 μ	76*	Grade 1
H1	Yellow Galvanised 5 μ	293*	Grade 2
H5	Zinc Plated 12 μ	76*	Grade 2
K1	SimilOro	72	Grade 2
N0	Nickel Plated	24	Grade 1
N4	Matt Nickel Plated	24	Grade 1
O0	Brass Plated	24	Grade 1
P3	Otlav White Plastified (RAL 9010)	More than 730**	Grade 2
T0	Chrome Plated	72	Grade 2
T1	Satinized Chrome Plated	More than 730	Grade 4

* Refers to the appearance of white areas of zinc oxidation

**Refers only to the painted parts

The intended use given in the Table refers to the Grade of resistance to corrosion UNI EN 1670 (sixth figure according to UNI EN 1935)

Grade (Class) 0: resistance to corrosion not defined

Grade (Class) 1: resistance to corrosion Low

Grade (Class) 2: resistance to corrosion Moderate

Grade (Class) 3: resistance to corrosion High

Grade (Class) 4: resistance to corrosion Very high

e.g.: inside rooms

e.g.: damp inside rooms

e.g.: outside rooms

e.g.: outside rooms, very damp

TEST OTLAV

FINISHING STRENGTH

Each finishing has a difference resistance to the aggressiveness of rust. In order to use a hinge correctly one must therefore also take into account the place in which it will be used.

For places with harsher conditions it is advisable to use hinges with a finishing which has more resistance to the aggressive biological or atmospheric conditions.

However, we advise use of OTLAV® hinges combined with the caps in the OTLAV® CAPS collection.

But in more sheltered places or those with milder and more stable conditions it is possible to choose between a much wider range of finishings.

All the finishings made by OTLAV undergo specific resistance tests carried out by the OTLAV® group's galvanic company.

The saline fog test (according to the UNI specifications given below) consists of placing the sample to be examined inside a special chamber. A corrosive solution, which attacks the protective coating on the hinges, is sprayed in fog form into the chamber. The Saline Fog Chamber has a definite capacity and is able to maintain the conditions of specific tempera-

ture, humidity and pressure; the samples are placed in an exact position inside it.

The samples are observed at set intervals and any changes, up to the appearance of traces of oxidation or red rust spots, are reported. There is no direct relationship between resistance to saline fog and the hinges' resistance to atmospheric agents in the various places, so this test must be considered to be a method of comparison or as being indicative of relative quality (not absolute data).

The choice of OTLAV® also encompasses eco-compatibility with the "Infinitely recyclable" certification (currently the first and only company in Italy to be awarded this), which recognises the possibility that metallic products may be melted down and recreated an infinite number of times, without producing slag or other elements which are harmful to the ecosystem.

The result of the saline fog test on some OTLAV® finishings is given on the left hand page.

Saline fog chamber:

ERICHSEN mod. 606 volume 400 litres

Test carried out in accordance with the following

standards: UNI-ISO 9227 tipo NSS SS DIN 50021 ASTM B 117 SIS 184190 NFX 41-002

Saline concentration: 5% +/- 0,5%

Volume collected: 1,5 cc hour - Mass 1033 Kg/m3 - pH 6,9

Chamber temperature:

35 °C +/- 1°C Pressure 1,5 bar

Samples radially arranged on test doors



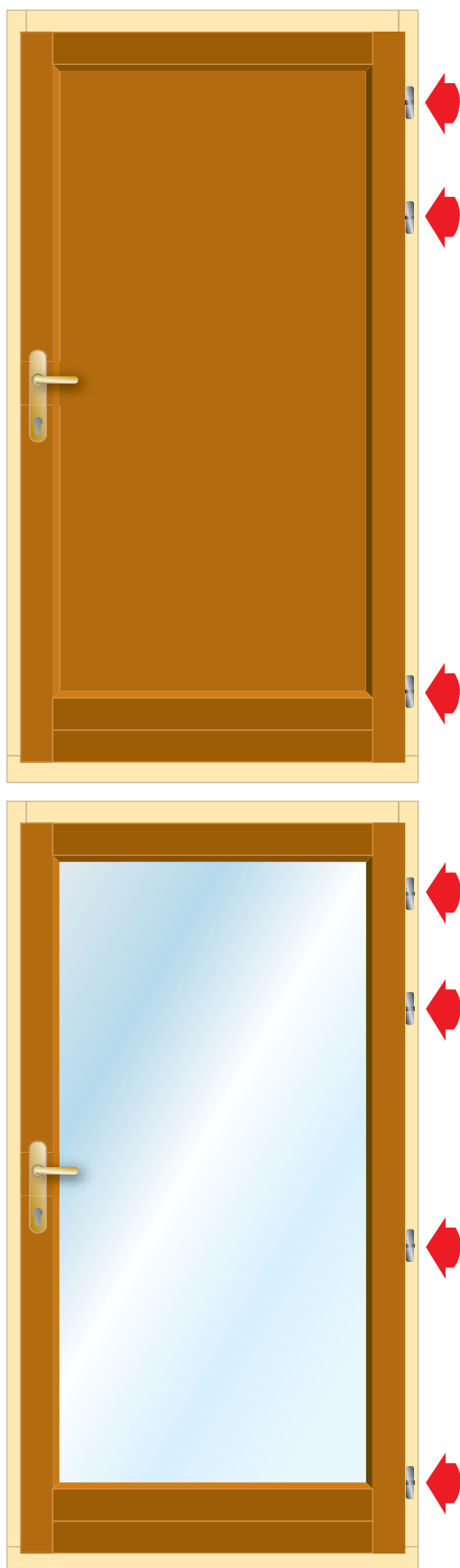
Special equipment of the
Otlav test laboratories.

Saline fog chamber: ERICHSEN
mod. 606 volume 400 litres.



TEST OTLAV

HINGE CARRYING STRENGTH



Examples of proper positioning of the hinges.

All the hinges produced by OTLAV® **periodically undergo** strict resistance tests to check the improvements and innovations which are made continuously.

The I.U.S. (Intensive Use Simulator, in the photo on the right hand page) is the Otlav test laboratory's testing system, consisting of a rigid structure made of uprights and crosspieces to which the door/window which is being tested is fixed, and of integrated automations which simulate the movements made by the door/window during normal use. The special conformation of the I.U.S. also means that it faithfully reproduces the door/window fixing to the support it is intended for. The hinges may also undergo different types of testing:

- Test for resistance to wear
- Test for resistance to fatigue
- Test for resistance to extraction (of the pin from the support into which it has been fixed)
- Test for resistance to twisting
- Test for resistance to flexion
- Test for resistance to breaching (B.S.I. Standard, British Standard Institute, PAS 23/1 of 1999)

A series of digital and analogue measuring tools, mounted on the I.U.S., measure the significant values for the test while it is being carried out, such as: deformation, movements, load capacity variation, number of cycles.

A constant check is also carried out visually and acoustically to reveal any anomalies which cannot be registered by the instruments, such as the appearance of dust due to mechanical wear, creaking.

The I.U.S. can test doors/windows with dimensions of up to 2500x1500 and weighing up to 250 Kg.

TEST OTLAV

HINGE CARRYING STRENGTH



Having 50 years of technical experience of hinges with screw-in pins is a remarkable achievement, but the everyday challenge is represented by the continuous search for new results in terms of resistance, load capacity and level of performance.

Since its origin more than 50 years ago, the weak point of the hinge, which is made of a body and a pin welded together, has always been the union (welding) between the pin and body.

Due to the special, sophisticated technology used in our Company, the OTLAV® hinge is able to reach a mechanical load capacity, at the weld, of more than 10,000 Kg, taking into consideration a 14 diameter hinge with a standard pin. The static load capacity is intended for load capacity, meaning the resistance to a traction-pressure force where the pin is welded onto the body of the hinge.

The resistance is tested in the laboratory by applying a steadily increasing force-weight to the hinge, considered on its own, i.e. not mounted on the door/window. First the pin starts to bend at around 400 kg; then at more than 1000 kg, the pin breaks at 5 mm from the weld spot joining it to the hinge body.

The pin NEVER detaches from the body at

the weld spot.

The hinge, taken independently, therefore has a huge potential load capacity.

However, the weight of the door/window which can be borne by the hinge depends on other conditions of use:

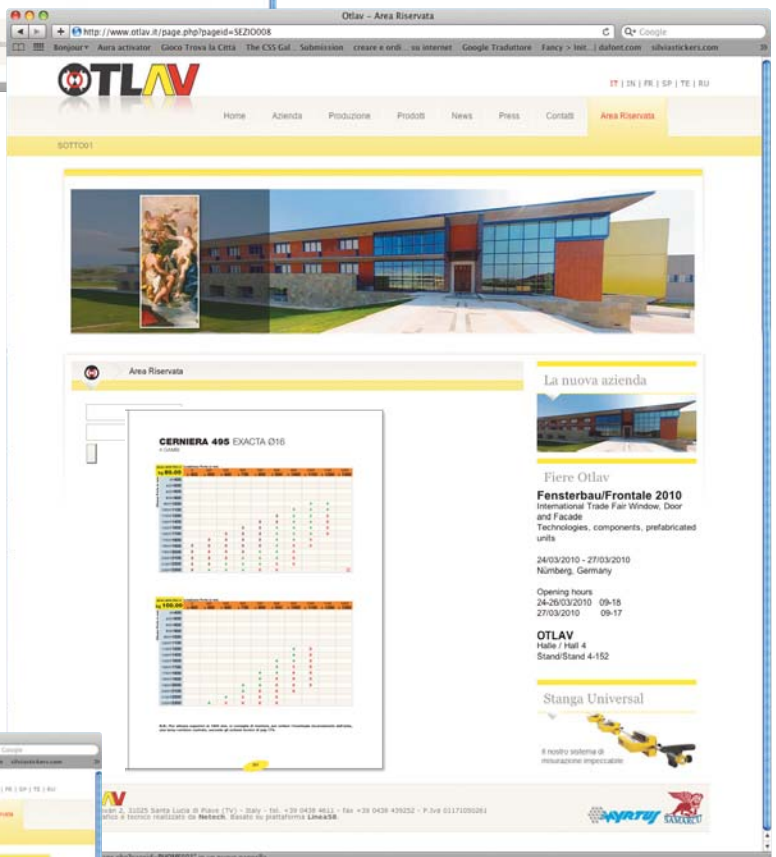
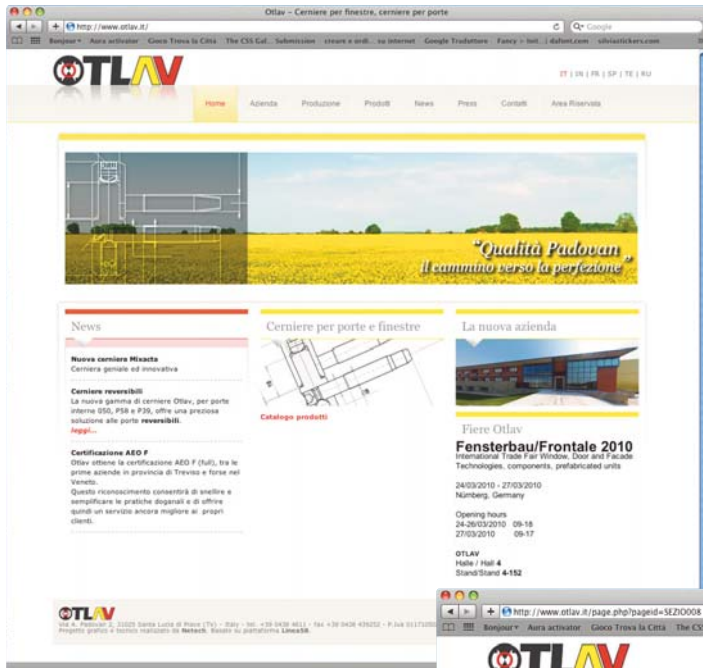
- 1) dimensions of the door/window.
- 2) weight of door/window.
- 3) number of hinges.
- 4) positioning of the hinges.
- 5) type and quality of the door/window material.
- 6) accuracy, precision and experience of assembly, in order to obtain a perfect alignment of the hinges.
- 7) the distance of the male component from the frame must not exceed 6 mm
- 8) the thickness of the door/window material at the point of anchorage.

AN EXAMPLE OF HINGE LOAD CAPACITY

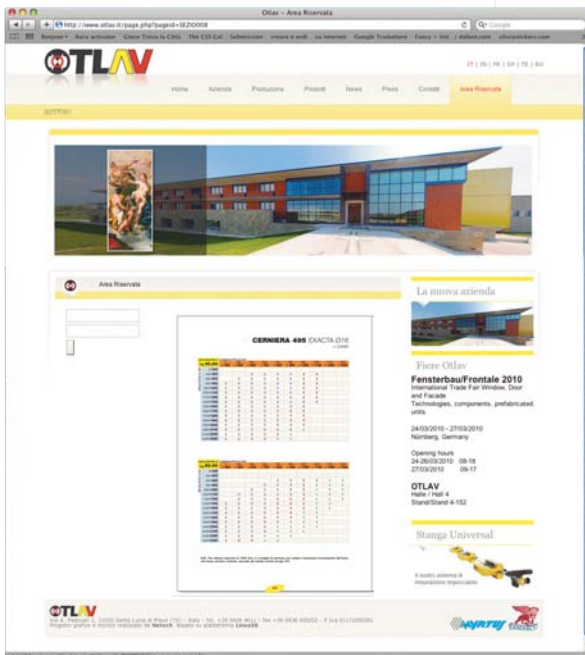
Shutter weight up to kg 40,00	Door width in mm									
	0 ÷ 400	400 ÷ 500	500 ÷ 600	600 ÷ 700	700 ÷ 800	800 ÷ 900	900 ÷ 1000	1000 ÷ 1100	1100 ÷ 1200	1200 ÷ 1300
Door height in mm 0÷400										
400÷600			2	2	2	2	3	3		
600÷800		2	2	2	2	2	3	3		
800÷900	2	2	2	2	2	2	3	3		
900÷1000	2	2	2	2	2	2	3	3		
1000÷1100	2	2	2	2	2	2	3	3		
1100÷1200	2	2	2	2	2	2	3	3		
1200÷1400	2	2	2	2	2	2	3	3		
1400÷1600	2	2	2	2	2	3	3			
1600÷1700	2	2	2	2	2	3	3			
1700÷1800	2	2	2	2	2	3	3			
1800÷1900	2	2	2	2	3	3	3			
1900÷2000	2	2	2	2	3	3	3			
2000÷2100	2	2	2	3	3	3	4			
2100÷2200	2	2	3	3	3	4				
2200÷2300	2	2	3	3	4	4				

Shutter weight up to kg 60,00	Door width in mm									
	0 ÷ 400	400 ÷ 500	500 ÷ 600	600 ÷ 700	700 ÷ 800	800 ÷ 900	900 ÷ 1000	1000 ÷ 1100	1100 ÷ 1200	1200 ÷ 1300
Door height in mm 0÷400										
400÷600										
600÷800					2	2	3	3	4	4
800÷900				2	2	3	3	4	4	4
900÷1000			2	2	2	3	3	4	4	4
1000÷1100		2	2	2	2	3	3	4	4	4
1100÷1200		2	2	2	3	3	3	4	4	4
1200÷1400	2	2	2	2	3	3	3	4	4	
1400÷1600	2	2	2	2	3	3	3	4	4	
1600÷1700	2	2	2	3	3	3	4	4		
1700÷1800	2	2	2	3	3	3	4	4		
1800÷1900	2	2	2	3	3	4	4	4		
1900÷2000	2	2	2	3	4	4	4	4		
2000÷2100	2	2	2	3	4	4	4			
2100÷2200	2	2	3	4	4	4				
2200÷2300	2	3	3	4	4					

Note: If the height exceeds 1800 mm, we suggest you mount a third central hinge in order to prevent curving of the leaf, according to the technical diagrams on page 186.



All available load capacity tests performed on OTLAV hinges can be easily accessed in the private area of our website [HYPERLINK www.otlav.com](http://www.otlav.com)



A series of 22 horizontal lines spaced evenly down the page, providing a template for writing or drawing.

GENERAL CONDITIONS OF SALE

(In this text, the CLIENT is referred to as the “customer”).

1) ORDERS

All orders transmitted by the customer are only binding for OTLAV® after written acceptance by Head Office. OTLAV® reserves the right not to deliver the order in the event that, from the time the order is accepted to the time the goods are due to be despatched, there are any increases in cost or variations to the price list, or if the customer does not pay, for whatever reason, for previous deliveries of goods. In any case, OTLAV® reserves the right to deal with the order in part, if it is unable to fulfil it completely due to circumstances beyond their control. Any remaining part of the order will be sent as soon as they become available, or with the customer's next order. **OTLAV® is not responsible for any errors in supplying orders due to the Article Code Number being incomplete, missing or wrong.**

2) SAMPLES

The samples, catalogues and any technical documentation in the customer's possession, inasmuch as they refer to particular manufacturing techniques, have an indicative/demonstrative value. For the production of special orders or for articles which differ from standard OTLAV® production, the technical design with an indication of quotes, or a sample, is required. OTLAV® reserves the right to make any technical or manufacturing modifications they deem suitable at any time (without being obliged to inform the customer), to change the samples, catalogues and any other technical documentation in circulation.

3) PRICES

The prices stated in the price list are given in EURO, without VAT, and may undergo changes due to sudden variations in costs.

4) COMPLAINTS

Upon receiving the products, the customer shall immediately check the condition of the products and that they conform to the order. All complaints relating to the conformity of the products to the order, and regarding the quantity and/or the exterior condition of the product, must be made in writing upon receipt of the goods and **communicated to OTLAV®, within and no later than 8 (eight) days of receipt.**

OTLAV® will not be held responsible, in any case, for any damage to the surface caused by faulty storage of the products (damp or saline surroundings, etc.).

5) TRANSPORTATION

Deliveries, unless agreed differently, shall be carried out via transporters as defined by OTLAV®. The goods, however, always travel **on behalf of the customer and at the customer's risk.** OTLAV® accepts no responsibility for delays, tampering or any other shortcomings which occur during transportation. All responsibility by OTLAV® ceases at the moment of delivery of the goods to the carrier.

If the transportation is to be charged to the customer, the costs shall be added to the invoice for the goods

6) PACKAGING

The original packaging is included in the price.

The goods are delivered with OTLAV® **packaging and in the minimum standard packaging stated in the catalogue.** Should the customer require different packaging, OTLAV® reserves the right to debit the greater cost.

OTLAV® shall proceed, at its own discretion and without notification, to increase the order to the quantity of the packaging or to debit any increase.

7) CARRIAGE

The period allowed for carriage shall be agreed at the start of the business relationship; in any case, carriage via fast carriers or with urgent procedures requested by the customer, shall be debited.

8) DELIVERY DATES

Delivery dates are intended to be approximate and not peremptory; the customer has no right, in any case, to refuse the goods, or to request the termination of the contract, or compensation for damages for any delays.

9) RETURNS

Whereas any returns shall only be accepted if notified by letter, fax or e-mail within eight days of receipt of the materials, any right to return the goods shall lapse **once said period of time is up, and any returns must be authorised in writing by OTLAV®.** Any returned goods shall be delivered to the OTLAV® warehouse carriage free and with packaging intact, accompanied by relevant document on which the essential elements of the invoice relating to each individual product shall be clearly shown. Any returns delivered to OTLAV® which are found to be tampered with or wrongly used, shall in no case be replaced or reimbursed; they shall be sent back freight collect to the customer.

Neither shall any returns involving special articles, articles which are no longer in production, or faulty or rejected goods for reasons not attributable to OTLAV®, be accepted.

10) PAYMENT

Payment of the price of the products and of the relevant delivery charges shall be in compliance with the terms agreed at the time of ordering. In the event of delayed payment, the default interest pursuant to Legislative Decree 231/02 with the increase pursuant to art. 5, shall be debited to the customer.

Should the customer find him/herself in a situation of insolvency or of bankruptcy proceedings, OTLAV® may suspend or cancel orders and/or deliveries.

The customer shall not have the right to delay or refuse payment in the event of any dispute.

Cheques must be made payable to OTLAV®, and must not be transferable.

Payment in advance must be made with Swift transfer; orders with this type of payment shall only be considered confirmed and **production started, upon receipt of said transfer.** Payment C.O.D. shall be via bank draft made out to OTLAV®, not transferable.

11) RESERVATION OF TITLE

All ordered products shall be sold with reservation of title by OTLAV® until the price is paid in full. Therefore, until such time as payment has been made, the customer may not install, nor loan, or allow to be seized or distrained without declaring the property of OTLAV® (notifying the latter immediately), the penalty being, in the event of violation of even one of the aforementioned obligations, forfeiture of the benefit of deferred terms. Until full payment of the price has been made, employees of OTLAV® shall have the right to access the premises in which the products are being kept, in order to make the appropriate checks.

12) COMPETENT COURT

This deed is subject to Italian Law. The competent Court shall be the Court of **Treviso or Conegliano (TV)** only, for any dispute between the parties with regard to the interpretation, execution and termination of this deed and for any reason concerning credits and debits, without prejudice to the right by OTLAV® alone to choose any other competent court pursuant to legislation.

13) EXCEPTIONS TO THE CONDITIONS OF THE CONTRACT

These general conditions of sale cancel all previous conditions and no exceptions shall be allowed unless expressly accepted by OTLAV®.