

# TS

GEZE TS 1000 C

## Surface-mounted rack and pinion door closer

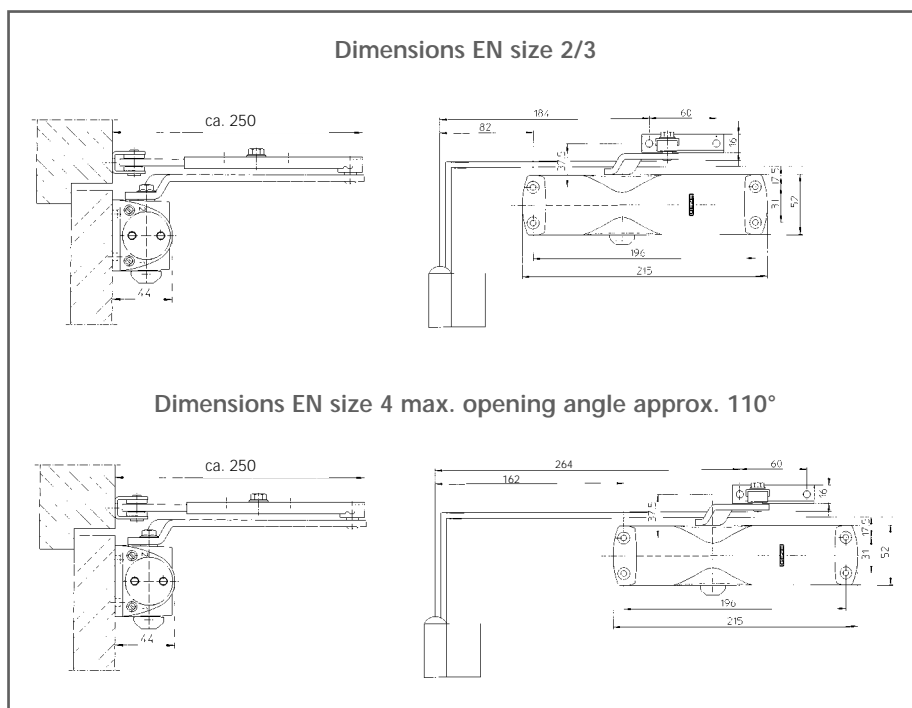


Fig. 1

# 1000 C

## Product features

- ▶ Variable closing force in two sizes achieved by simply turning the arm's power shoe
- ▶ 'Weak' closing force for leaf widths of up to 850 mm (size 2 according to EN1154)
- ▶ 'Strong' closing force for leaf widths of up to 950 mm (size 3 according to EN1154)
- ▶ Increased closing force due to offset installation for leaf widths up to 1100 mm (size 4 according to EN 1154)
- ▶ Adjustable closing speed
- ▶ Adjustable hydraulic latching action
- ▶ Optional hold-open setting between 70° and 150°
- ▶ Casing and arm available in: silver, dark-bronze, black and white finish. RAL colours on request

## Application

- ▶ For single-action doors
- ▶ Suitable for right and left closing doors, adjustment not necessary
- ▶ For all common types of installation
- ▶ For leaf widths up to 950 mm (1100 mm)

## Supplied as standard package

**GEZE TS 1000 C** complete with link arm, screw accessories and installation template (Mounting plate not included).

## Special design

**GEZE TS 1000 C** complete with hold-open arm for an adjustable opening angle between 70° and 150°.

A mounting plate is available for doors where direct installation is not possible.



Surface-mounted rack and pinion door closer **GEZE TS 1000 C**

## Ordering text

Designation	Colour	ID No.
<b>GEZE TS 1000 C</b>	silver	071993
with Standard link arm	dark bronze	071994
	white RAL 9016	071995
	black RAL 9005	071996
	gold	071997
	RAL colour	090712
<b>GEZE TS 1000 C</b>	silver	071998
with Hold-open link arm	dark bronze	071999
	white RAL 9016	072000
	black RAL 9005	072001
	gold	072002
	RAL colour	090714
Mounting plate for doors to which the closer cannot be directly mounted	silver	029682
	dark bronze	029683
	white RAL 9016	029685
	RAL colour	029686

## Specifications

Surface-mounted rack and pinion door closer **GEZE TS 1000 C**, with adjustable closing speed and adjustable latching action, alternatively with mounting plate.

Colour:  
 silver  
 dark bronze  
 white  
 black  
 RAL .....  
 gold

# TS 1000 C

# Product information for door closers

The following information concerning door closers for hinged leaf doors must be observed. Failure to observe the information exonerates the manufacturer from liability or obligation.

## 1. Product information and intended use

Door closers in terms of this definition shall be used to close hinged leaf doors again after they have been manually opened. The closing operation is performed with adjustable hydraulic damping. The necessary closing force relative to the leaf widths is defined in EN 1154. The information from the manufacturers must be observed in the case of areas of application other than conduit intended. Door closers shall be used on installed hinged-leaf doors made of metal, wood, or UPVC and any combinations of these materials. The mounting method and position are precisely prescribed for smoke and fire doors or other standardised self-closing doors. Mounting methods and positions other than conduit intended do not conform to the intended use.

Vertical, smoothly operating doors with correctly mounted door closers are prerequisites for the intended use of door closers. Mounting and adjustment must be performed by qualified personnel according to the specifications from the manufacturer. Door closers with greater closing forces must be used in the case of particularly unfavourable installation conditions (effects of wind).

Door closers with backcheck must be used, especially in the case of hinged-leaf doors which are opened against wind. The backcheck contributes to protecting personnel, door elements, surrounding walls and objects without restricting the door opening angle. If, owing to the structural characteristics of the door, it is necessary to mount the door leaf to the frame at the door's pivot axis, a stop which restricts the maximum door opening angle of the door must be used. Hinged leaf doors can only be held open at a specific position using additional special fittings or integrated construction elements. With smoke and fire doors, the equipment must be approved by an inspector from the responsible institute for structural engineering (documentation supporting suitability must be observed).

Door closers are not suitable for the unprotected external installation into single-action doors and for use in environments with aggressive corrosion-promoting air contents as well as extremely low or high temperatures.

Fitting boxes for floor springs must be protected against dirt penetration after their installation. If floor mounted door closers are exposed to water penetration (e.g. damp locations or exterior doors without rain protection), the cavity between the cement box and door closer housing must be filled with a suitable sealing compound.

Before the door closers (including any additional equipment) are installed, any mandatory legal directives must be observed.

## 2. Improper use

Improper use (i.e. utilisation of the product in a way differing from the intended use) for hinge leaf door may result in damage or injury in particular:

- ▶ if obstacles in the closing radius, dragging doors, jamming seals, wood wedges etc. prevent the closing operation
- ▶ if door closers have been incorrectly or unprofessionally fitted and/or adjusted
- ▶ if parts of the body are placed between the frame and leaf (risk of injury)
- ▶ if correct functioning is expected beyond the specified characteristics, e.g. in storm conditions, with extraordinary negative pressure or positive pressure acting on the door
- ▶ if door closers are used for purposes other than closing doors
- ▶ if the selected door closer size does not correspond to the recommendations of the manufacturer

## 3. Product characteristics

If the product characteristics are not described in the catalogues, brochures, instructions etc., any special requirements must be discussed with and then approved by the manufacturer.

Reference should be made to the standard DIN 18 263, parts 1, 2, 3 and 5 "Door closers with hydraulic damping". Virtually all basic requirements and additional requirements are defined in this standard. The suitability of use for door closers depends on factors such as frequency of actuation, actuation principle, environmental influences, and care and maintenance. Door closers must be replaced as soon as correct and reliable closing operation can no longer be guaranteed.

## 4. Product maintenance

Safety elements of door closers must be checked regularly, according to requirements, for wear and to ensure that they are fitted correctly and securely. Fixing screws must be tightened and any faulty components must be changed. Furthermore, the following maintenance work must be performed at least once per year (depending on the type of hinged leaf doors and their application):

- ▶ All moving parts on the link arm must be greased
- ▶ The closer settings (e.g. closing speed) must be checked.
- ▶ Smooth operation of the door must be checked
- ▶ In the case of door closers with special functions (hold-open devices/hold-open systems), the legal checks, monitoring, and maintenance procedures must be observed.

Only cleaning agents not containing any corrosive and damaging components should be used.

## 5. Obligations regarding information and instruction

The following media are available to the planner, specialist trader, manufacturer, building owner, and user:

- ▶ Catalogues, brochures
- ▶ Tender documents
- ▶ Mounting instructions, installation drawings, operating instructions, standards
- ▶ Consultation with field service personnel

The following points are essential for the correct use, reliable functioning, maintenance, and care of door closers for hinged-leaf doors:

- ▶ architects and planners must request and observe the necessary product information,
- ▶ specialist dealers and manufacturers must observe the product information and information in the price lists, and especially request all necessary instructions and pass them on to the customer, installer or end user
- ▶ manufacturers must observe product information and pass it on to the customers and users.

**GEZE GmbH**  
P.O. Box 1363  
71226 Leonberg  
Germany

**GEZE GmbH**  
Reinhold-Vöster-Straße 21-29  
71229 Leonberg  
Germany  
Telefon +49 (0) 71 52-2 03-0  
Telefax +49 (0) 71 52-2 03-310

**GEZE Online:**  
[www.geze.com](http://www.geze.com)

#### GEZE branch offices

##### Germany

**GEZE GmbH**  
Niederlassung Nord/Ost  
Bühningstraße 8  
13086 Berlin (Weissensee)  
Tel. +49 (0) 30-47 89 90-0  
Fax +49 (0) 30-47 89 90-17  
E-mail: berlin.de@geze.com

**GEZE GmbH**  
Niederlassung West  
Nordsternstraße 65  
45329 Essen  
Tel. +49 (0) 2 01-8 30 82-0  
Fax +49 (0) 2 01-8 30 82-20  
E-mail: essen.de@geze.com

**GEZE GmbH**  
Niederlassung Mitte  
Adenauerallee 2  
61440 Oberursel (b. Frankfurt)  
Tel. +49 (0) 61 71-6 36 10-0  
Fax +49 (0) 61 71-6 36 10-1  
E-mail: frankfurt.de@geze.com

**GEZE GmbH**  
Niederlassung Süd  
Reinhold-Vöster-Straße 21-29  
71229 Leonberg  
Tel. +49 (0) 71 52-2 03-5 94  
Fax +49 (0) 71 52-2 03-4 38  
E-mail: leonberg.de@geze.com

#### GEZE subsidiaries

##### Germany

**GEZE Sonderkonstruktionen GmbH**  
Planken 1  
97944 Boxberg-Schweigern  
Tel. +49 (0) 79 30-9 2 94-0  
Fax +49 (0) 79 30-92 94-10  
E-mail: sk.de@geze.com

**GEZE GLAS DESIGN GmbH**  
Reinhold-Vöster-Straße 21-29  
71229 Leonberg  
Tel. +49 (0) 71 52-2 03-4 10  
Fax +49 (0) 71 52-2 03-5 57  
E-mail: glas.design.de@geze.com

**GEZE Service GmbH**  
Mollenbachstraße 33-35  
71229 Leonberg  
Tel. +49 (0) 71 52-92 33-0  
Fax +49 (0) 71 52-92 33-60  
E-mail: service.de@geze.com

**GEZE Service GmbH**  
Niederlassung Berlin  
Bühningstraße 8  
13086 Berlin (Weissensee)  
Tel. +49 (0) 30-47 02 17 30  
Fax +49 (0) 30-47 02 17 33

##### Asia

**GEZE Asia Pacific Ltd.**  
Unit 2614, 26/F., Miramar Tower,  
1 Kimberley Road  
Tsimshatsui, Kowloon  
Hong Kong  
Tel. +852 - 23 75 73 82  
Fax +852 - 23 75 79 36  
E-mail: geze@netvigator.com

**GEZE Industries (Tianjin) Co., Ltd.**  
Shuangchensheng Road  
Beichen Economic Development  
Area (BEDA)  
Tianjin 300400, P.R. China  
Tel. +86 22 26 97 39 95-0  
Fax +86 22 26 97 27 02  
E-mail: geze@public1.tpt.tj.cn

**GEZE Industries (Tianjin) Co., Ltd.**  
Branch Office Shanghai  
Room No. 2303,  
Nan Zheng Building  
580 Nanjing Road West  
200041 Shanghai  
P.R. China  
Tel. +86 21 52 34 09-60  
Tel. +86 21 52 34 09-61  
Tel. +86 21 52 34 09-62  
Fax +86 21 52 34 09-63  
E-mail: geze@public2.sta.net.cn

**GEZE Industries (Tianjin) Co., Ltd.**  
Branch Office Guangzhou  
Room 1213 Jie Tai Plaza  
218-222 Zhong Shan Liu Road  
510180 Guangzhou  
P.R. China  
Tel. +86 20 81 32 07 02  
Tel. +86 20 81 32 07 03  
Fax +86 20 81 32 07 05  
E-mail: geze-gz@163.net

**GEZE Industries (Tianjin) Co., Ltd.**  
Branch Office Beijing  
Room 606 Beijing East Ocean  
Centre  
No. 24A Jian Guo Men Wai Street  
Chao Yang District  
100022 Beijing  
P.R. China  
Tel. +86 10 65 15 58 29  
Tel. +86 10 65 15 58 30  
Fax +86 10 65 15 58 31  
E-mail: leigeze@dhms.eocean.cn.net

##### Middle East

**Jordan**  
**GEZE Middle East**  
P.O. Box 941 771  
Shmeisani 11194  
Wadi Saqra Street  
Al Wifaq Center  
Amman-Jordan  
Tel. +962 6 553 89 97  
Fax +962 6 553 89 30  
E-mail: geze@go.com.jo

##### Europe

###### France

**GEZE France S.A.R.L.**  
ZAC de l'Orme Rond  
RN 19  
77170 Servon  
Tel. +33 1 60 62 60 70  
Fax +33 1 60 62 60 71  
E-mail: france.fr@geze.com

##### Great Britain

**GEZE UK Ltd.**  
Chelmsford Business Park  
Colchester Road  
Chelmsford, Essex CM2 5LA  
Tel. +44 12 45 45 10 93  
Fax +44 12 45 45 11 08  
E-mail: geze.uk@geze.com

**GEZE Automatics Division**  
Claymore, Tame Valley Industrial  
Estate,  
Tamworth, Staffordshire B77 5DQ  
United Kingdom  
Tel. +44 (0) 18 27 28 62 22  
Fax +44 (0) 18 27 28 64 44  
E-mail: automatics.uk@geze.com

##### Italy

**GEZE Italia Srl**  
Via Caduti di Sabbiuno, 2  
40011 Anzola Emilia (BO)  
Tel. +39 051-6 50 18 11  
Fax +39 051-6 50 18 33  
E-mail: italia.it@geze.com

**GEZE Engineering Srl**  
Via Borromeo, 4  
20017 Rho (Milano)  
Tel. +39 02 93 90 95 59  
Fax +39 02 93 90 93 32

##### The Netherlands

**GEZE Benelux B.V.**  
Leemkuil 1  
Industrieterrein Kapelbeemd  
5626 EA Eindhoven  
Tel. +31 (0) 40-2 62 90 80  
Fax +31 (0) 40-2 62 90 85  
E-mail: benelux.nl@geze.com

##### Austria

**GEZE Austria GmbH**  
Mayrwiesstraße 12  
5300 Hallwang b. Salzburg  
Tel. +43 662 66 31 42  
Fax +43 662 66 31 42-15  
E-mail: austria.at@geze.com

##### Poland

**GEZE Polska Sp. z o.o.**  
ul. 3-go Maja 101/103  
05-080 Mościska gm. Izabelin  
Tel. +48 (0) 22 7 52 29 00  
Fax +48 (0) 22 7 52 29 01  
E-mail: geze@geze.pl

##### Switzerland

**GEZE Schweiz AG**  
Bodenackerstrasse 79  
4657 Dulliken  
Tel. +41 (0) 62-285 54 00  
Fax +41 (0) 62-285 54 01  
E-mail: schweiz.ch@geze.com

##### Spain

**GEZE Iberia S.R.L.**  
C/ Diputación 188, D.128  
08011 Barcelona  
España  
Tel. +34.902.19.40.36  
Fax +34.93.451.59.60  
E-mail: iberia.es@geze.com

##### Scandinavia

###### Sweden

**GEZE SCANDINAVIA AB**  
Mallslingan 10  
Box 7060  
18711 Täby  
Tel. +46 (0) 8-732 34-00  
Fax +46 (0) 8-732 34-99  
E-mail: sverige.se@geze.com

###### Norway

**GEZE Scandinavia AB avd. Norge**  
Postboks 63  
2081 Eidsvoll  
Tel. +47 (0) 639 571 70  
Fax +47 (0) 639 571 73  
E-mail: norge.se@geze.com

##### Finland

**GEZE Finland**  
branch office of **GEZE Scandinavia AB**  
Postbox 20  
158 71 Hollola  
Tel. +358 (0) 10-400 5100  
Fax +358 (0) 10-400 5120  
E-mail: finland.se@geze.com



Surface-mounted door closer

**GEZE TS 1000 C**



Sony Center, Berlin