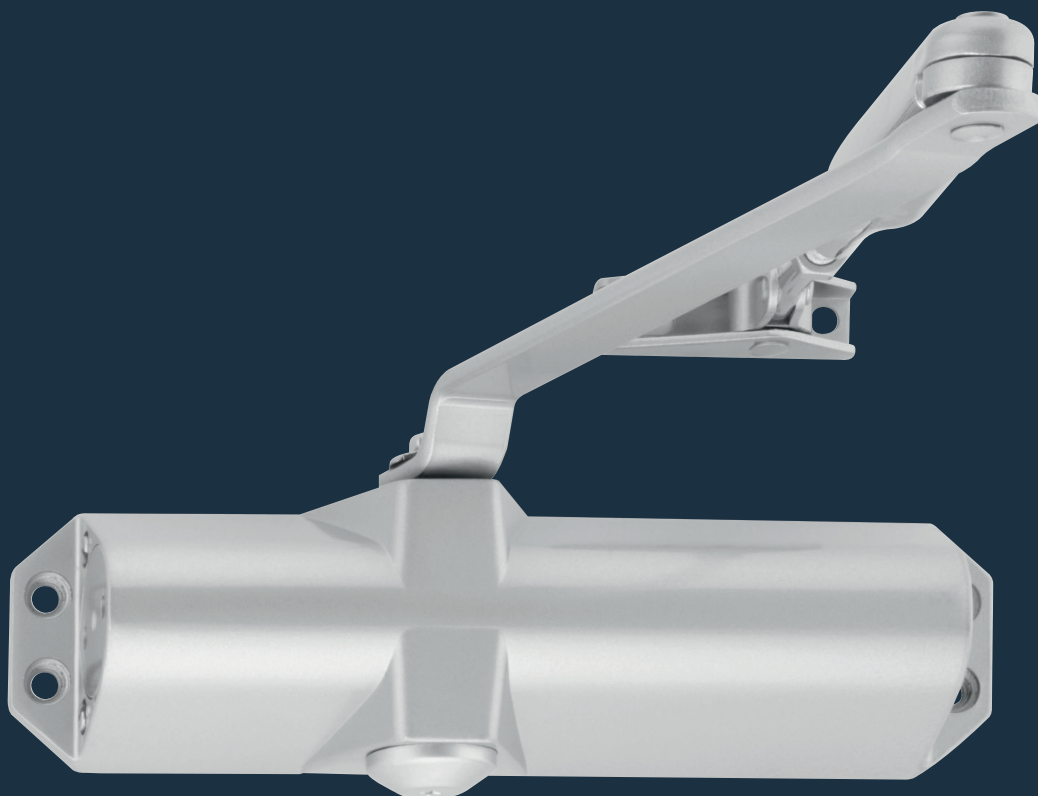


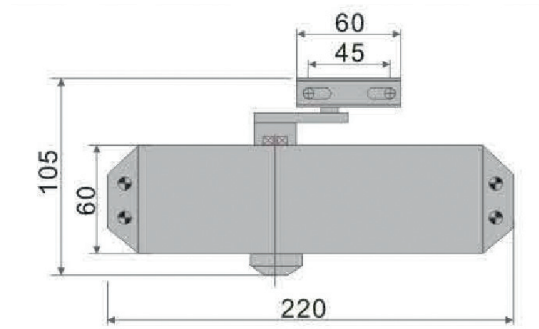
ECO **TS-10**^{D EN}



Product characteristics

Closing force (continuously adjustable)	Size acc. to EN	2/3/4
Door width	≤ 1.100 mm	■
Dimensions	Length in mm Height in mm	220 60
Mounting plate		-
Hinge-side and hinge-opposite side		■
DIN left / right		■
Latching speed (adjustable from the side)		■
Closing speed (adjustable from the side)		■
EN 1154 tested (size 3) acc. to test report / certificate		■

■ Yes
 - No
 □ Option



Dimensions: TS 10 D EN



The different sizes are reached by moving the door closer on the door leaf.



Silver RAL 9006



White RAL 9016



Black RAL 9005

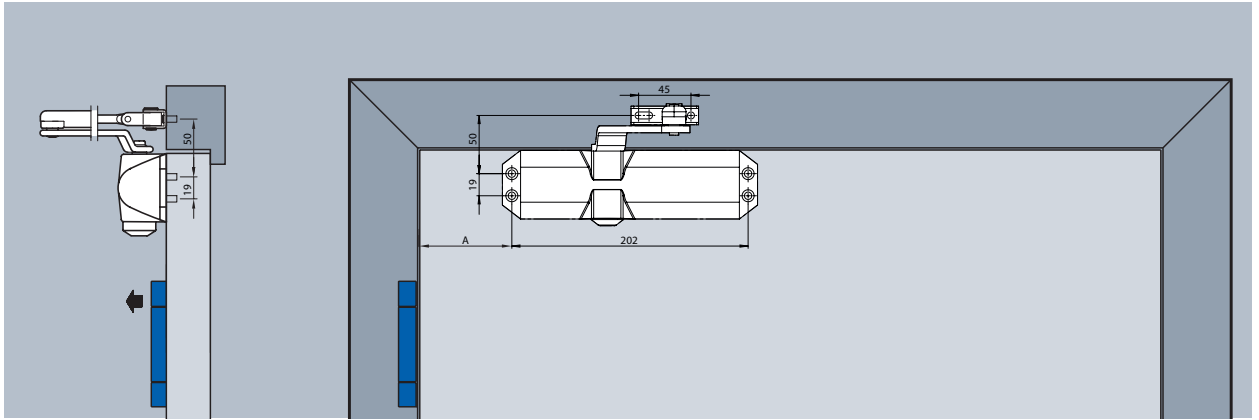


Brown RAL 8014

Standard arm is always delivered in the same colour as the ordered door closer body.

Hinge side

Illustration DIN left-door, DIN right laterally reversed



Standard mounting, hinge side, closing force 2 / 3 A = 55 mm, closing force 4 A = 65 mm

Hinge-opposite side

Illustration DIN left-door, DIN right laterally reversed



Head mounting, hinge-opposite side

ECO Schulte GmbH & Co. KG
Iserlohner Landstraße 89
D-58706 Menden

Telefon: +49 2373/92 76 -0
Fax: +49 2373/92 76 -40

info@eco-schulte.de
www.eco-schulte.de

© ECO Schulte GmbH & Co. KG - Änderungen vorbehalten
© ECO Schulte GmbH & Co. KG - Subject to change