

M-12/30 EK/RS

1-738

- / hinged timber door drop seal
- / slimline design and lightweight operation
- / one product, two fixing options to choose from:
 - EK - screwing from the side
 - RS - screwing from below



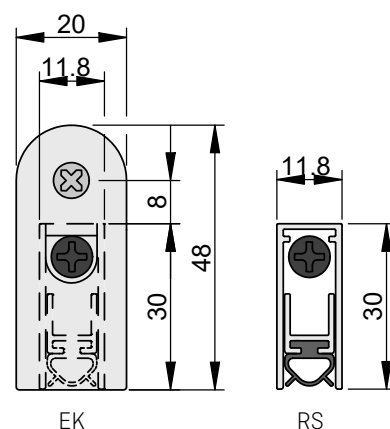
Picture shows EK fixing

TECHNICAL DATA

Application	hinged timber doors
Actuation	single
Gasket material	self-extinguishing silicone

DIMENSIONS

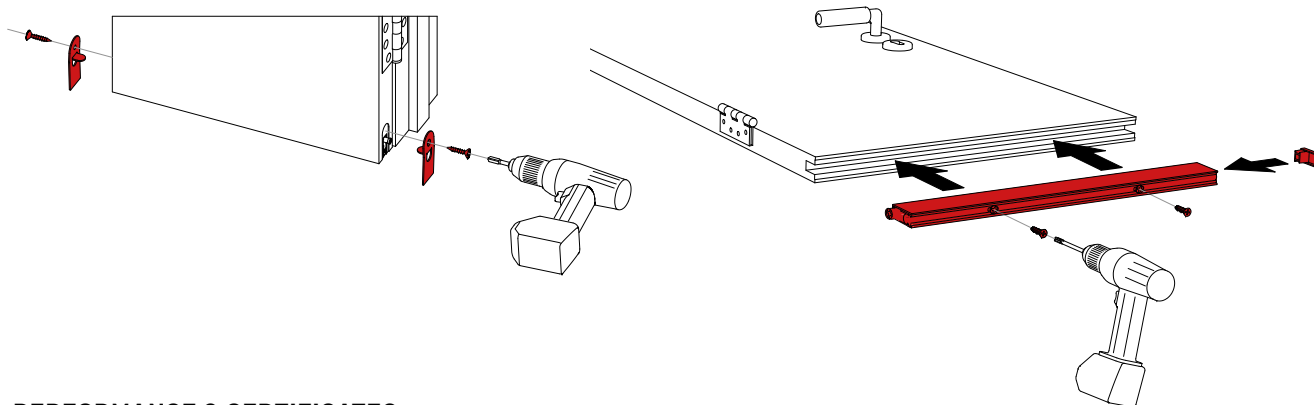
Width x height	11.8 x 30 mm
Standard lengths	730, 830, 930, 1030, 1130, 1230 mm
Minimum lengths*	320 mm
Maximum lengths	1530 mm
Can be shortened by	125 mm, smallest product length that can be shortened: 445 mm
Travel	15 mm



FIXING

Rebated into a groove in the door

EK: screw fixed from the side, with end plates or RS: screw fixed from below



PERFORMANCE & CERTIFICATES

Acoustic	42dB over 4mm gap, 33dB over 10mm gap
----------	---------------------------------------

* min. lengths cannot be shortened