

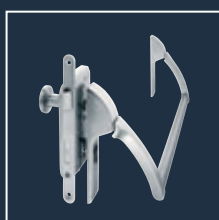
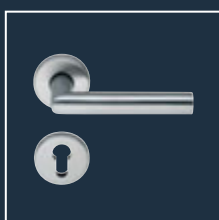
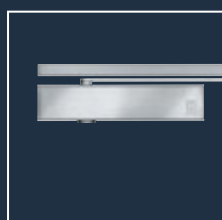
ECO **Newton** TS-50



## Produktinformation



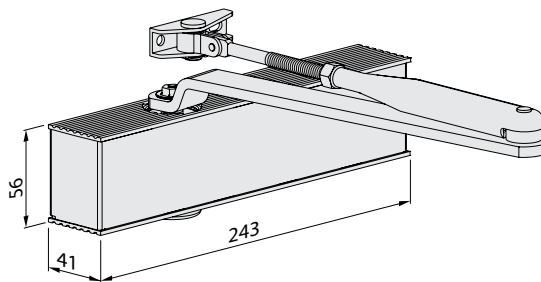
### ■ SYSTEMTECHNIK FÜR DIE TÜR



**Product characteristics**

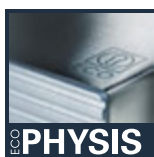
Closing force (stufenlos einstellbar)	Size acc. to EN	1 - 5	2 - 6
Door width	acc. to EN ≤ 1.250 mm	■	
Door width (acc. separate mounting position)	acc. to EN ≤ 1.400 mm		■
Dimensions (incl. mounting plate)	Length in mm	243	243
	Depth in mm	41	41
	Height in mm	56	56
Mounting plate (supplementary sheet 1)	acc. to <b>EN 1154 A</b>	□	
Hinge-side and hinge-opposite side		■	■
DIN L / R		■	■
Latching speed (continuously adjustable)		■	■
Closing speed (continuously adjustable)		■	■
Back-check (constant)		■	■
Delayed action		-	-
Not fire proved (continuously adjustable)		-	-
Tested acc. to EN	<b>EN 1154 A</b>	-	-
Suitable for fire- and smoke control doors	<b>F</b>	-	-
Certified according to EU-Directive	<b>CE</b>	-	-

- Yes
- No
- Option



Dimensions: TS-50

**ECO Newton TS-50 ■ Highlights at a glance**



\*optional

Details regarding the ECO Newton Highlights can be found in the intro of this chapter.



Body: Silver RAL 9006  
ECOcllic: Stainless steel polished or satin



Body + ECOcllic: White RAL 9016

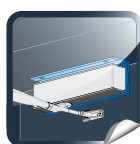


Body + ECOcllic: Black RAL 9005

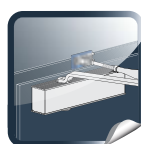


Body + ECOcllic: Brown RAL 8014

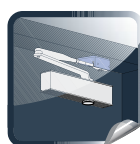
Standard arm is always delivered in the same colour as the ordered door closer body.



Under-lintel angle for door closer  
Page 165



Adaptor profile  
Page 167



Angle bracket for parallel arm mounting  
Page 166

# Order information

## ECO Newton TS-50 ■ Door closer with standard arm

### Product information

Closing force 1-5, tested acc. to **EN 1154 A** (for door widths up to 1.250 mm) continuously adjustable. Latching speed and closing speed continuously adjustable. Back-check constant. Same version DIN left and DIN right. Mounting height only 41 mm. Weight: 1.280g. Max. door opening angle: 180°

- **ECOunity**: The ECO Newton closer portfolio covers all door dimensions with only two basic closer units.
- **ECOphysis**: Door closer and slide rail build a unit in aluminium and stainless steel
- **ECOcllic**: The stainless steel cover encloses the aluminium body with the power of spring steel and conceals all of the adjusting elements, thus securing the closer against unauthorized access.
- **ECMount**: Optional mounting plate according to **EN 1154**, supplementary sheet 1
- **ECOvalve**: Simple, high-precision and permanently secure adjustment of all parameters of the closing process with one conventional Allen key.
- **ECOcover<sup>2</sup>**: Optional stainless steel cover for the ECO Newton door closers
- **ECOgreen**: The intelligent construction and carefully planned use of materials help considerably to save resources

Pull side: standard mounting on door leaf. Push side: head mounting on door frame

### Article numbers



Door closer with standard arm		Colour		Article number	Door closer without standard arm		Colour		Article number
TS-50	(1-5; (2-6))	Silver	RAL 9006*	305052F11A71010	TS-50	(1-5; (2-6))	Silver	RAL 9006*	355052F11A00010
TS-50	(1-5; (2-6))	White	RAL 9016	305052F11E71010	TS-50	(1-5; (2-6))	White	RAL 9016	355052F11E00010
TS-50	(1-5; (2-6))	Brown	RAL 8014	305052F11D71010	TS-50	(1-5; (2-6))	Brown	RAL 8014	355052F11D00010
TS-50	(1-5; (2-6))	Black	RAL 9005	305052F11G71010	TS-50	(1-5; (2-6))	Black	RAL 9005	355052F11G00010

\*Door closer body in silver RAL 9006, ECOcllic in stainless steel satin, optional polished

# ECO PHYSIS



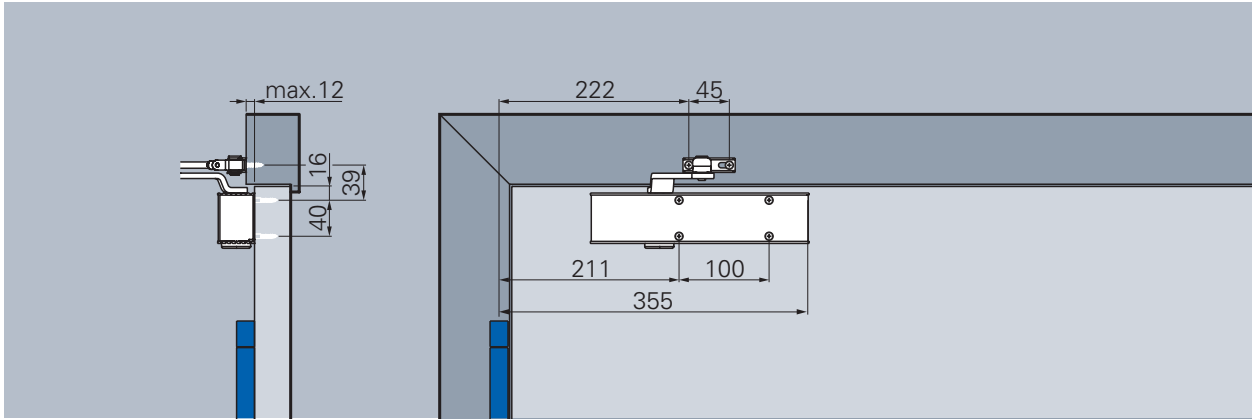
## ECO Newton Highlights in detail.

### **Stainless steel and aluminium:**

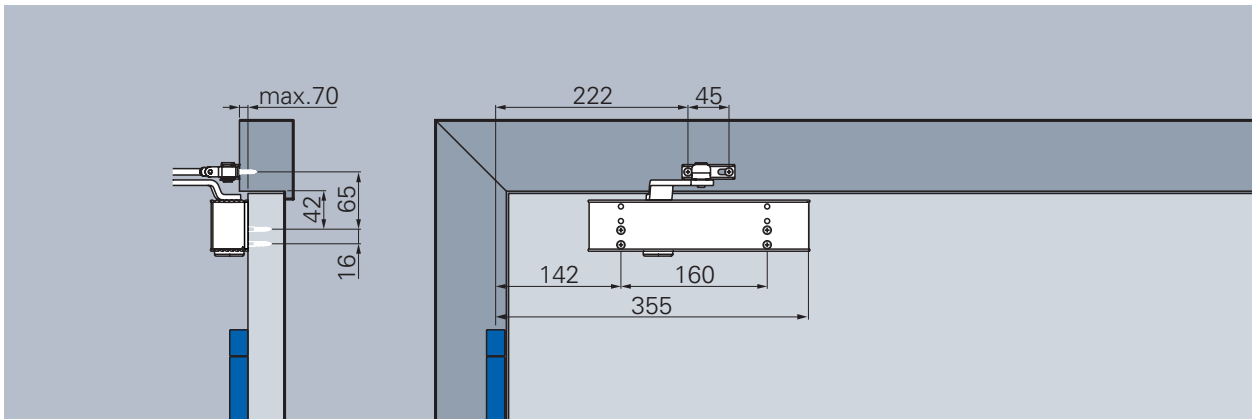
Elegant materials are standard with ECO Newton: the stainless steel cover and aluminium body unit of the new door closer generation are perfectly matched with one another – in an architecturally compatible form language.

# Hinge side

Illustration DIN left-door, DIN right laterally reversed



Standard mounting, hinge side (direct mounting, without mounting plate)



Standard mounting, hinge side (with optional mounting plate with DIN holes)

## Closing speed

Continuously adjustable closing speed from approx. 180° to 0°.

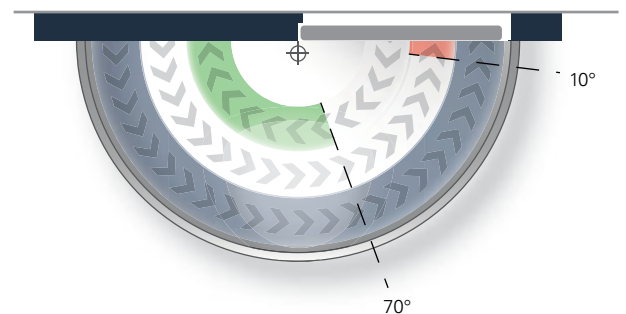
## Latching speed

Increases the closing speed and thus the safe closing of the door, for example to overcome door seals, door locks and high air pressure. Continuously adjustable, works between 10 to 0°

## Back-check

Reduces the opening speed starting at 70° and avoids the slamming of the door. Back-check fixed

Closing force diagram ECO Newton TS-50, hinge side



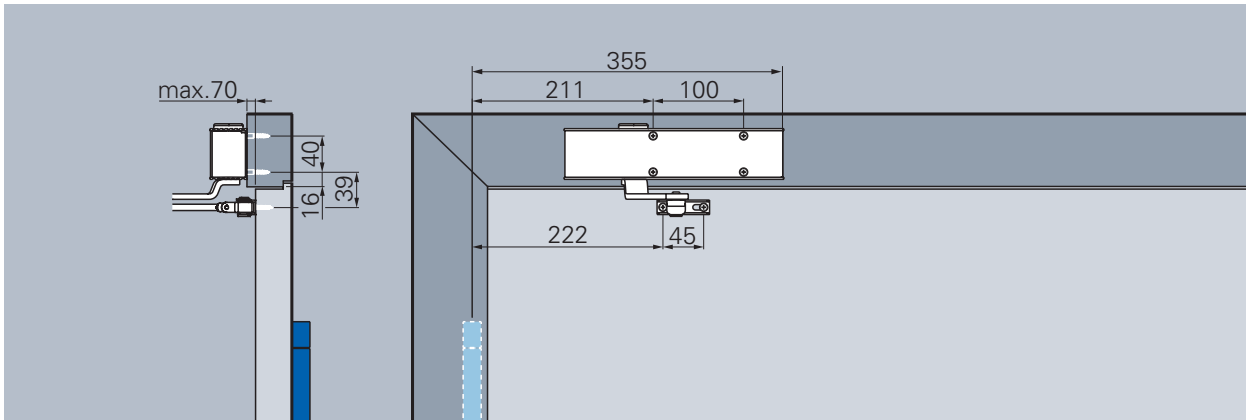
## Closing force:

**Continuously adjustable** min. size 1  
max. size 5

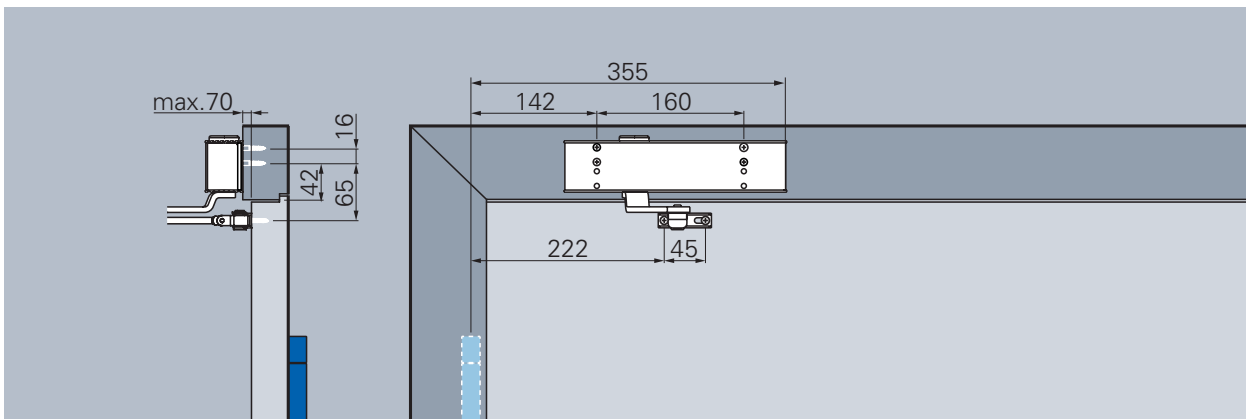
**Default delivery condition:** size 3

# Hinge-opposite side

Illustration DIN right-door, DIN right laterally reversed



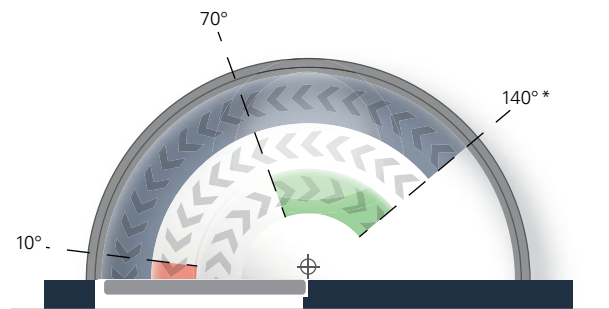
Head mounting, hinge-opposite side (direct mounting, without mounting plate)



Head mounting, hinge-opposite side (with optional mounting plate with DIN holes)

- Closing speed**  
Continuously adjustable closing speed from approx. 170° to 0°.
- Latching speed**  
Increases the closing speed and thus the safe closing of the door, for example to overcome door seals, door locks and high air pressure. Continuously adjustable, works between 10 to 0°
- Back-check**  
Reduces the opening speed starting at 70° and avoids the slamming of the door. Back-check fixed

Closing force diagram ECO Newton TS-50, hinge-opposite side



**Note!:**  
**Back-check out of order for head-mounting / mounting on hinge-opposite side**

\*Varies according to door thickness and type of hinge

**A door stopper for opening limit is a must!**

ECO Schulte GmbH & Co. KG  
Iserlohner Landstraße 89  
D - 58706 Menden

Telefon: +49 2373/9276-0  
Fax: +49 2373/9276-40

[info@eco-schulte.de](mailto:info@eco-schulte.de)  
[www.eco-schulte.de](http://www.eco-schulte.de)

© ECO Schulte GmbH & Co. KG - Änderungen vorbehalten  
© ECO Schulte GmbH & Co. KG - Subject to change