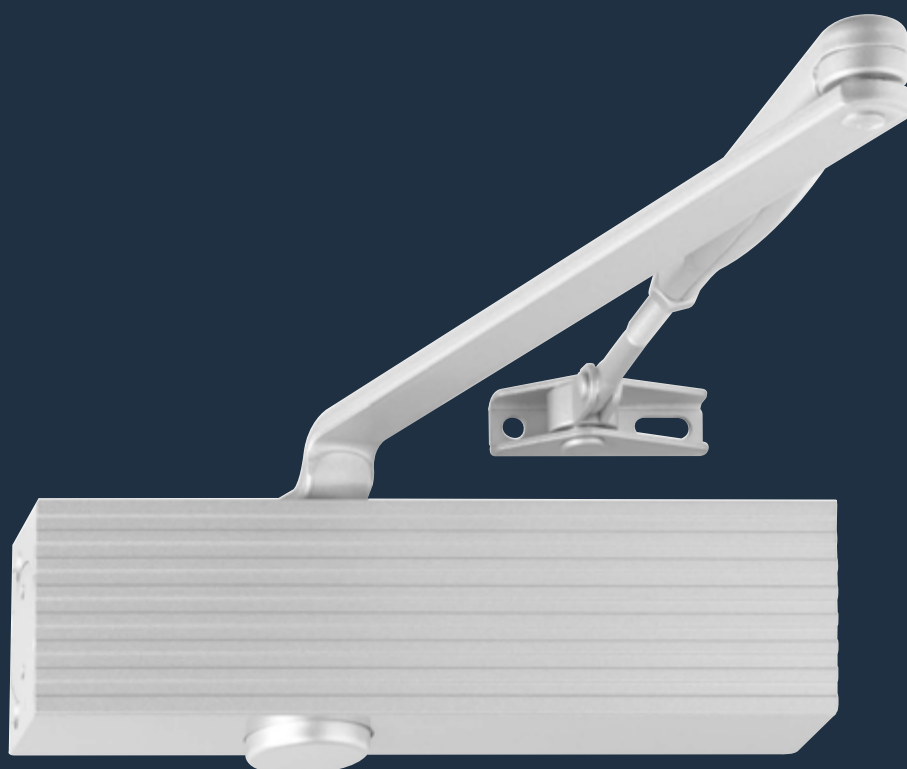


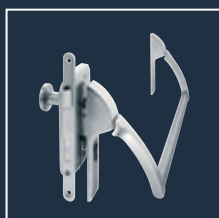
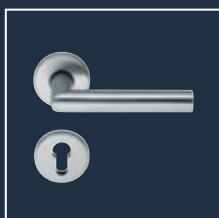
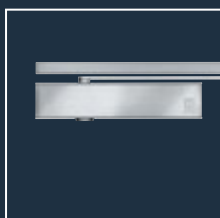
ECO **Newton** TS-15/-K



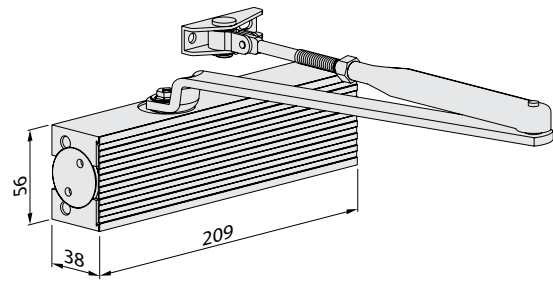
Product information



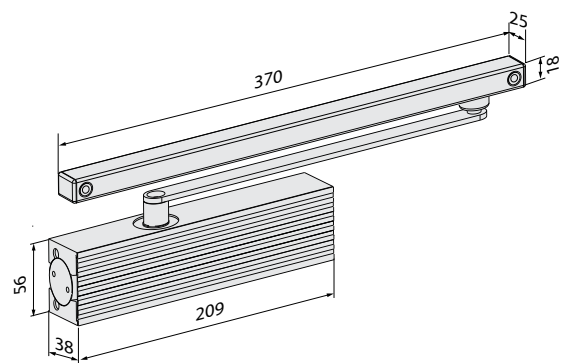
■ SYSTEM TECHNOLOGY FOR THE DOOR



Product characteristics		TS-15	TS-15 K
Closing force	Size acc. to EN	2/3/4/5	1/2
Door width	≤ 1250 mm	■	
Door width	≤ 800 mm		■
Dimensions	Length in mm	209	209
	Depth in mm	38	38
	Height in mm	56	56
Mounting plate		-	-
Hinge-side and hinge-opposite side		■	■
DIN left / right		■	■
<input checked="" type="checkbox"/> Yes <input type="checkbox"/> No <input checked="" type="checkbox"/> Option	Latching speed (adjustable from the side)	■	■
	Closing speed (adjustable from the side)	■	■



Dimensions: TS-15



Dimensions: TS-15 K



The different door closer sizes for the type TS-15 are reached by moving the door closer on the door leaf.



Body: Silver RAL 9006
ECOcllic: Stainless steel polished or satin



Body + ECOcllic: White RAL 9016



Body + ECOcllic: Black RAL 9005



Body + ECOcllic: Brown RAL 8014

Slide rail and standard arm are always delivered in the same colour as the ordered door closer body.

Order information

ECO Newton TS-15 ■ Door closer with standard arm

Product information

- Closing force 2 / 3 / 4 / 5 acc. to EN (for door width up to 1.250 mm)
Adjustable by moving the door closer on the door frame.
- Latching speed and closing speed continuously adjustable from the side
- Same version DIN left and DIN right.
- Height only 38 mm
- Max. door opening angle: 180°

ECO Newton TS-15 K ■ Door closer with slide rail

Product information

- Closing force 1 / 2 acc. to EN (for door width up to 850 mm)
- Latching speed and closing speed continuously adjustable from the side
- Same version DIN left and DIN right.
- Height only 38 mm
- Max. door opening angle: 180°

Article numbers



Door closer with standard arm	Colour	Article number	Door closer without standard arm	Colour	Article number
TS-15 (2/3/4/5)	Silver RAL 9006	301552E11A71010	TS-15 (2/3/4/5)	Silver RAL 9006	351552E11A00010
TS-15 (2/3/4/5)	White RAL 9016	301552E11E71010	TS-15 (2/3/4/5)	White RAL 9016	351552E11E00010
TS-15 (2/3/4/5)	Brown RAL 8014	301552E11D71010	TS-15 (2/3/4/5)	Brown RAL 8014	351552E11D00010
TS-15 (2/3/4/5)	Black RAL 9005	301552E11G71010	TS-15 (2/3/4/5)	Black RAL 9005	351552E11G00010



Door closer with slide rail K	Colour	Article number
TS-15 K (1/2)	Silver RAL 9006	351552E11A00010 + 350150000A00000
TS-15 K (1/2)	White RAL 9016	351552E11E00010 + 350150000E00000
TS-15 K (1/2)	Brown RAL 8014	351552E11D00010 + 350150000D00000
TS-15 K (1/2)	Black RAL 9005	351552E11G00010 + 350150000G00000

ECO VALVE



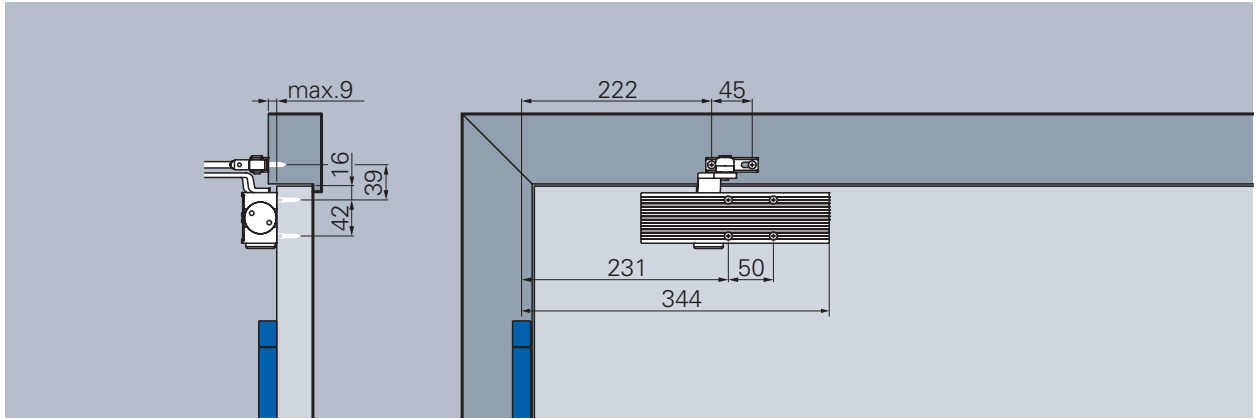
ECO Newton Highlights in detail.

New ECOvalve technology:

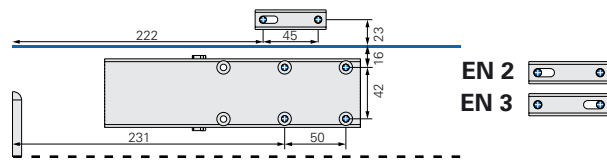
The new ECOvalve technology offers a wide and precisely adjustable setting range. This means the simple, high-precision and permanently secure adjustment of all parameters of the closing process with one conventional Allen key. As with all ECO Newton door closers, the closing speed and latching are regulated via the ECOvalve as a standard feature.

Hinge side

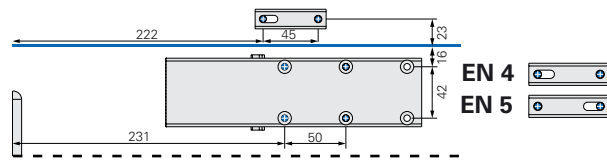
Illustration DIN left-door, DIN right laterally reversed



Standard mounting, hinge side (EN 4 / 5)



Closing force EN 2/3



Closing force EN 4/5

Closing forces

The different sizes are reached by moving the door closer on the door leaf and by turning the standard arm reception by 180°

Closing force diagram ECO Newton TS-15, hinge side



Closing speed

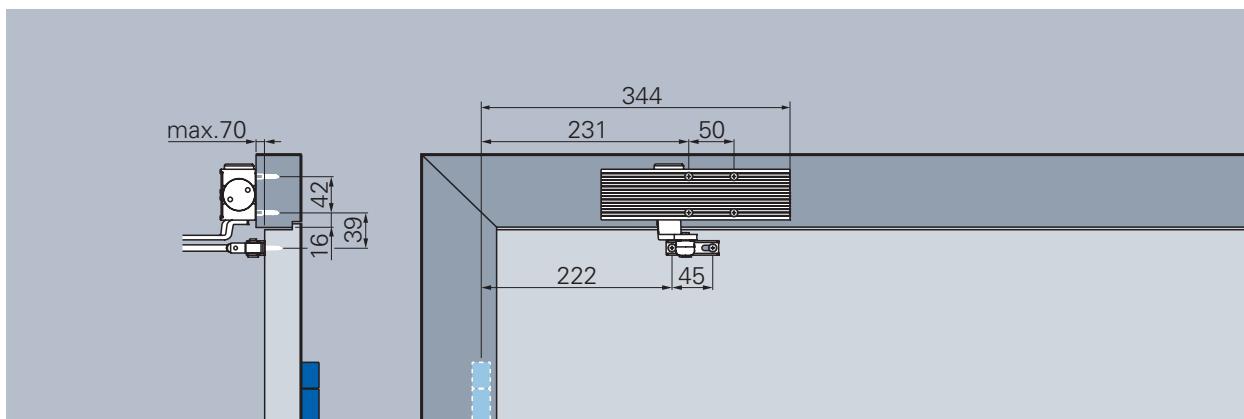
Continuously adjustable closing speed from approx. 180° to 0°.

Latching speed

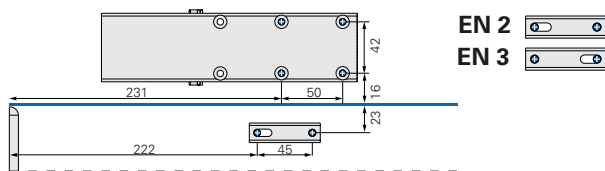
Increases the closing speed and thus the safe closing of the door, for example to overcome door seals, door locks and high air pressure. Continuously adjustable, works between 10 to 0°

Hinge-opposite side

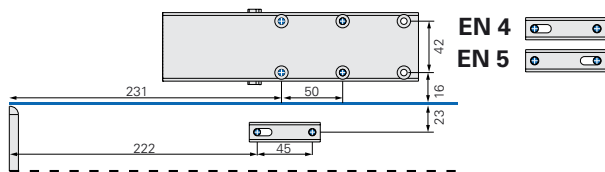
Illustration DIN right-door, DIN right laterally reversed



Head mounting, hinge-opposite side (EN 4 /5)



Closing force EN 2/3



Closing force EN 4/5

Closing forces

The different sizes are reached by moving the door closer on the door leaf and by turning the standard arm reception by 180°

Closing force diagram ECO Newton TS-15, hinge-opposite side



Closing speed

Continuously adjustable closing speed from approx. 170°* to 0°.

Latching speed

Increases the closing speed and thus the safe closing of the door, for example to overcome door seals, door locks and high air pressure. Continuously adjustable, works between 10 to 0°

Note:

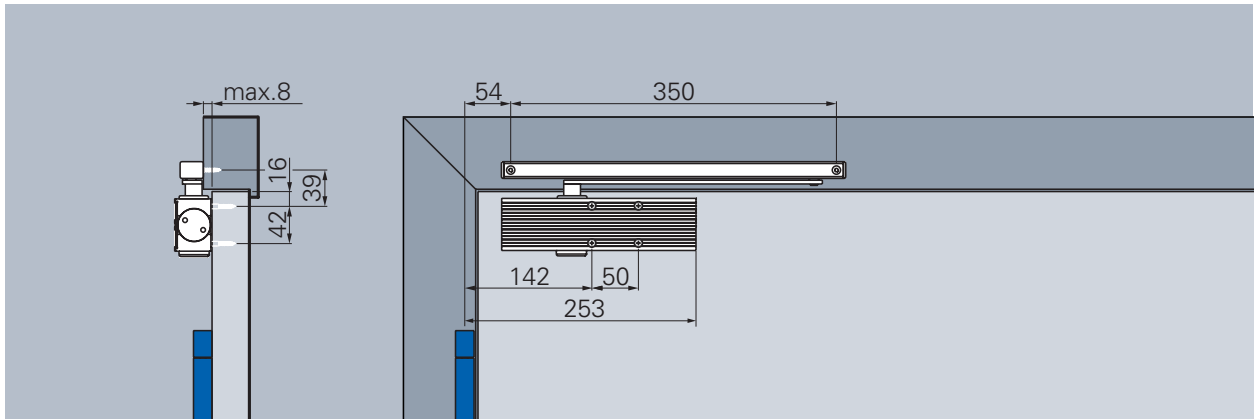
The use of a mounting plate is recommended for rebated doors.

*Varies according to door thickness and type of hinge

A door stopper for opening limit is a must!

Hinge side

Mounting with slide rail K, illustration DIN left-door, DIN right laterally reversed



Standard mounting with slide rail K, hinge side

Closing speed

Continuously adjustable closing speed from approx. 180° to 0°.

Latching speed

Increases the closing speed and thus the safe closing of the door, for example to overcome door seals, door locks and high air pressure.

Continuously adjustable, works between 10 to 0°

Note:

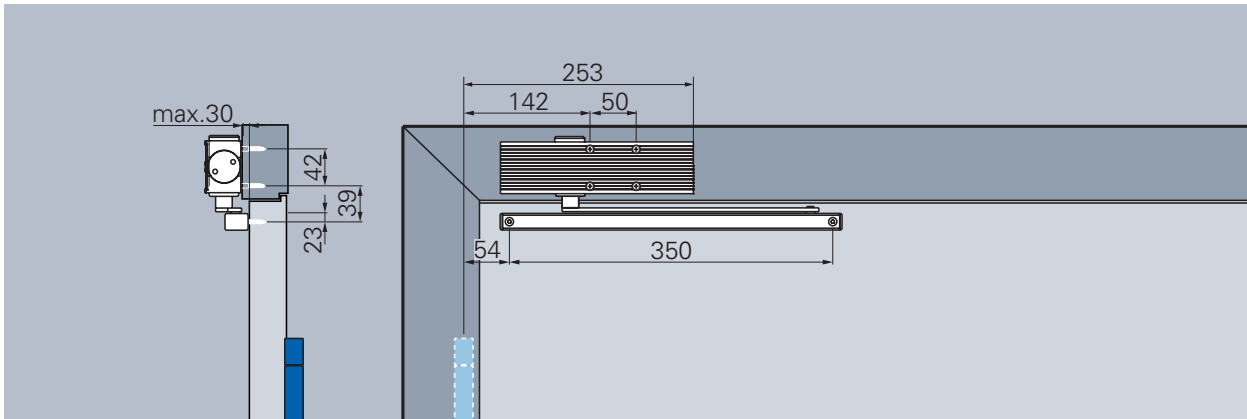
The use of a mounting plate is recommended for rebated doors.

Closing force diagram ECO Newton TS-15 K, hinge side



Hinge-opposite side

Mounting with slide rail K, illustration DIN right-door, DIN right laterally reversed



Head mounting with slide rail K, hinge-opposite side

- Closing speed**
 Continuously adjustable closing speed from approx. 140° to 0°.
- Latching speed**
 Increases the closing speed and thus the safe closing of the door, for example to overcome door seals, door locks and high air pressure. Continuously adjustable, works between 10 to 0°

Closing force diagram ECO Newton TS-15 K, hinge-opposite side



*Varies according to door thickness and type of hinge

A door stopper for opening limit is a must!

ECO Schulte GmbH & Co. KG
Iserlohner Landstraße 89
D - 58706 Menden

Telefon: +49 2373/9276 - 0
Fax: +49 2373/9276 - 40

info@eco-schulte.de
www.eco-schulte.de

© ECO Schulte GmbH & Co. KG - Änderungen vorbehalten
© ECO Schulte GmbH & Co. KG - Subject to change