

Contents

1	Information about this document	2	5	Parameterization (SVA 2000/2000F only)	15
1.1	Contents and purpose	2	5.1	LED display	15
1.2	Target group	2	5.2	Adjustable parameters	15
1.3	Other applicable documents	2	5.2.1	Operation mode	15
1.4	Abbreviations	2	5.2.2	Bus address	15
1.5	Symbols used	2	5.2.3	Terminating resistor	15
1.5.1	Hazard categories	2	5.3	Default settings	15
1.5.2	More symbols	2	5.4	Display at system start	15
2	Safety	3	5.5	Change parameters	15
2.1	Intended use	3	5.5.1	Requirements	15
2.2	Not intended use	3	5.6	Parameterization	16
2.3	Limitations on use	3	5.6.1	Set for DCW® bus	17
3	Product description	4	5.6.2	Set for CAN bus	17
3.1	Installation situation	4	5.6.3	Set for Stand Alone operation	17
3.1.1	Mechanical opening	4	5.6.4	Jump back to the selection	17
3.1.2	Automatic opening	4	5.6.5	Cancel parameterization	17
3.2	Technical information	5	6	SVA 2000F integrated Power Reserve module test	17
3.3	Variants	5	7	Pin assignment	18
3.5	Overview	6	7.1	SVA 2000(F)	18
3.5.1	Tubular frame locks	6	7.2	Smoke detector	19
3.5.2	Solid door locks	6	8	Complete mounting	19
3.4	Classification	7	9	Error messages	20
3.4.1	Tubular frame locks	7	10	Maintenance	20
3.4.2	Solid door locks	7	11	Disassembly and disposal	20
3.6	Tubular frame locks	8			
3.6.1	Parts included	8			
3.6.2	Lock dimensions	8			
3.7	Solid door locks	9			
3.7.1	Parts included	9			
3.7.2	Lock dimensions	9			
3.7.3	Door versions	9			
4	Mounting	10			
4.1	Safety during mounting	10			
4.2	Requirements for mounting	10			
4.3	Tools and auxiliary materials	10			
4.4	Preparatory work	11			
4.4.1	Mill-cut and drill door leaf for tubular frame locks	11			
4.4.2	Mill-cut and drill the door leaf for solid door locks	12			
4.5	Mount locks	13			
4.5.1	Mount tubular frame lock	13			
4.5.2	Mount solid door lock	14			

SVA door locks

Mounting instructions

WN 059743 45532/15626

2021-02

EN

1 Information about this document

1.1 Contents and purpose

SVA door locks are mounted on the active leaf of a 2-leaf unit. The locks are available in various designs for tubular frame doors and solid doors. This manual describes how to mount an SVA lock.

1.2 Target group

SVA door locks must only be mounted by technically qualified personnel.

1.3 Other applicable documents

- Manual for the connection cable SVP-A 1100/2100 (not necessary for SVA 5000)
- Mounting instructions for the SVI lock on the fixed leaf
- Mounting instructions for the components used, e.g. the door handle

1.4 Abbreviations

SVA	Active, self-locking (anti-)panic lock for the active door on 2-leaf door units
SVI	Inactive, self-locking (anti-)panic lock for the fixed door on 2-leaf door units
2000, 2000F, 4000, 5000, 6000	All versions of a door lock; the exact lock type is marked with 3 digits instead of zeros.
TMS Soft®	Software for the dormakaba door management system (TMS)
DCW® bus	DCW® is short for "DORMA Connect & Work". A dormakaba-owned fieldbus system for the connection of up to 4 identical components to a DCW® central unit.
CAN bus	Serial fieldbus system according to ISO 11898-3, for connecting several components to one cable harness
RR	Tubular frame locks
VB	Solid door locks
G	Active leaf
S	Fixed leaf

1.5 Symbols used

1.5.1 Hazard categories



WARNING

This signal word indicates a possible hazardous situation which may result in death or serious injury if not averted.



TIPS AND RECOMMENDATIONS

This signal word indicates useful information for efficient and trouble-free operation.

1.5.2 More symbols



Sequence of action steps



Item numbers used in image caption

2 Safety

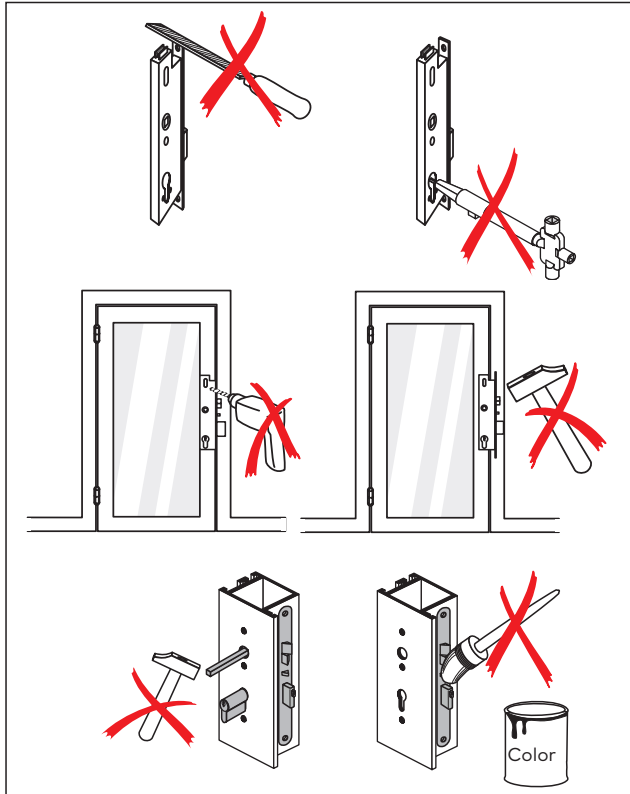


Fig. 1 Do not damage the product

2.1 Intended use

SVA door locks are used to lock doors automatically and securely each time they are closed.

The SVA door locks can open the active leaf with the fitting at any time from the panic side in the escape direction.

- Only mount combinations of lock and fitting that have been tested and approved in accordance with EN 179 or EN 1125. The list of approved components can be found in the constancy of performance certificate at www.dormakaba.com. Other combinations on request.
- Use only in combination with the SVI locks offered by dormakaba. Combinations with locks from other manufacturers must be approved by dormakaba.
- Panic locks may only be mounted on fire and smoke protection doors if the usability certificates for these doors provide for the mounting, and if the requirements in the usability certificates are followed.
- The following SVA door locks are suitable for use on fire and smoke protection doors: SVA 5000, SVA 4000, SVA 6000, SVA 2000F.
- The SVA 2000 may only be used in fire and smoke protection doors in combination with the external Power Reserve module "SVP-PR DCW®" (item no: 70922601).

- If an SVA 2000 or SVA 2000F is operated in Stand Alone mode in a fire and smoke protection door, the use of a smoke detector is recommended. In the event of a fire, it must be ensured that the locks' electrical motor controls are disconnected from the power supply by a smoke detector provided by the building supervisory authority or that the control/supply lines to the respective lock are interrupted. With smoke protection doors, the smoke detector must respond to the fire parameter "smoke". The wiring of a smoke detector with an SVP 2000 or SVP 2000F must be carried out according to the wiring diagram (7.2 on page 19).

2.2 Not intended use

- The lock may not be opened by third parties. If the lock is opened by a third party, there is a risk that safety-relevant functions (e.g. escape/panic functions) will no longer exist.
- The identification plate on the lock contains important information required by law and must not be damaged or obscured.

2.3 Limitations on use

- Do not make any changes to the door unit that are not described in this manual.
- If door seals (e.g. profile seals, floor seals) are used, they must not impede the intended use.

3 Product description

The SVA lock on the active leaf of a double-leaf swing door locks automatically after each closing by automatically pushing the bolt forward into the SVI lock (insurance-compliant lock). At the same time, the cross latch locks so that a two-point locking system is created. This offers additional security against manipulation or breaking of the door lock. In an emergency, SVA door locks can be unlocked and opened at any time in the escape direction with the door handle/panic bar. These features ensure that SVA door locks comply with EN 179 for emergency exit locks and EN 1125 for panic exit locks. The SVA door locks 4000, 6000 and 2000/2000F can query the status of the control latch, bolt, door handle/panic bar and locking cylinder.

3.1 Installation situation

3.1.1 Mechanical opening

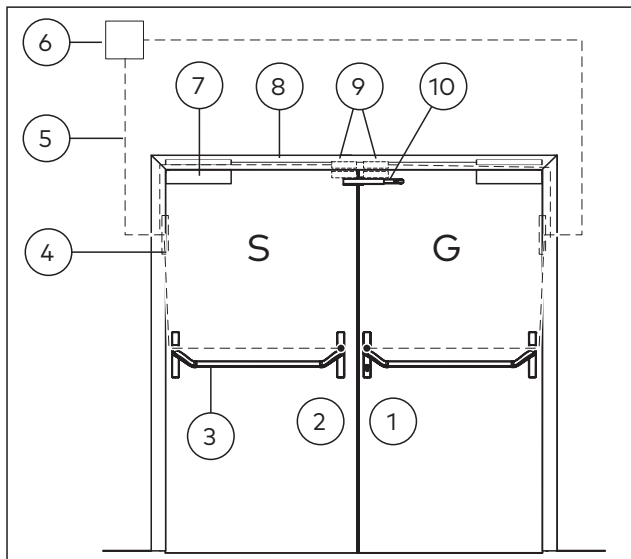


Fig. 2 Mechanical installation situation (example)

- 1 Active leaf with SVA 5000 (SVA 4000 or 6000)
- 2 Fixed leaf with SVI 5000 (SVI 4000)
- 3 Panic door fitting
- 4 Cable transfer CT, cable spiral CS and if necessary detachable cable transfer DT
- 5 Connecting cable SVP-A 1100/2100
- 6 External control unit
- 7 Door closer
- 8 Sequential locking control
- 9 Door contact TC
- 10 Carry bar

3.1.2 Automatic opening

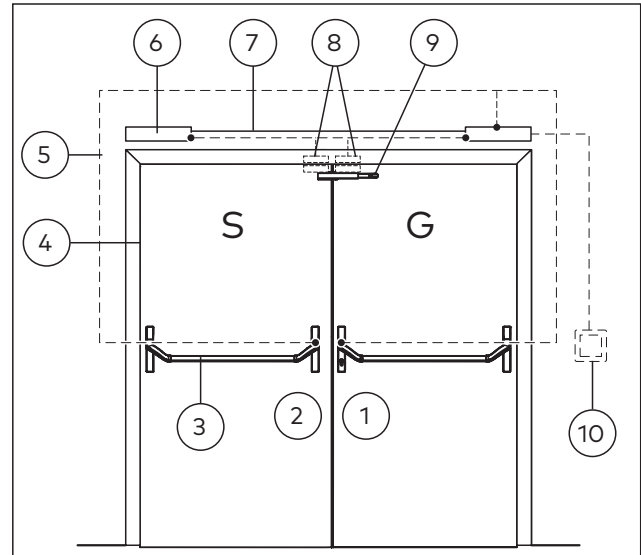


Fig. 3 Electrical installation situation (example)

- 1 Active leaf with SVA 2000/2000F
- 2 Fixed leaf with SVI 2000F
- 3 Panic door fitting
- 4 Cable transfer CT, cable spiral CS and if necessary detachable cable transfer DT
- 5 Connecting cable SVP-A 1100/2100
- 6 Operator inc. control unit (e.g. ED100/250)
- 7 Sequential locking control
- 8 Door contact TC
- 9 Carry bar
- 10 Access control components

3.2 Technical information

All SVA door locks		
Temperature range	-25°C to +70°C	
Relative humidity:	up to 95 % at 55°C; no condensation	
Protection category:	IP 54	
DIN direction:	can be used left and right except for SVA 6xxx	
Installation position:	vertical	
	Tubular frame locks	Solid door locks
Backset:	35, 40 or 45 mm	65, 80 or 100 mm
Rear backset:	15 mm	33 mm
Forend:	24 mm wide, 270 mm high, angular/ square	20 mm or 24 mm wide 235 mm high, round
Distance between door handle and locking cylinder:	92 mm for profile cylinder 94 mm for round cylinder	72 mm profile cylinder 74 mm round cylinder
Nut to inner square:	9 mm	9 mm
Bolt throw:	20 mm	20 mm
SVA 4000		
Status messages via potential-free contacts		
Contact load capacity	100 mA at max. 30 V DC	
SVA 6000		
Status messages via potential-free contacts		
DIN direction:	left or right depending on order	
Supply voltage:	12 or 24 V DC stabilized (+/- 15 %)	
Power consumption:	0.15 A (max. 0.3 A)	
Contact load capacity:	100 mA at max. 30 V DC	
SVA 2000 and SVA 2000F		
Supply voltage:	24 V DC stabilized (+/- 15 %)	
Power consumption:	0.05 A (max. 0.3 A)	
Bus operation:	DCW® bus or CAN bus (ISO 11898-3)	
"Locked" signal:	output switches to GND, 30 mA at max. 30 V DC	

3.3 Variants

Versions of the SVA door locks are available for various applications:

- The **SVA 5000** is a mechanical door lock. When the door is closed, the door lock locks automatically. The SVA 5000 is also suitable for retrofitting doors in which no connection cable can be laid.
- The **SVA 4000** is an electrically monitored door lock. When the door is closed, the door lock locks automatically.
- The **SVA 6000** is an electrically monitored door lock. When the door is closed, the door lock locks automatically. In addition, the door handle can be electrically engaged or disengaged on the access side. This makes the door lock suitable for doors that have access control from the outside but can be opened from the inside at any time in the escape direction.
- The **SVA 2000** is a motorized lock whose function can be controlled electronically. When the door is closed, the door lock locks automatically. It is operated separately (Stand Alone) or on an external control unit via a DCW® bus or a CAN bus. DCW® operation on an electric door operator with integrated control unit is also possible, e.g. with the ED 100/ED 250. The SVA 2000 may only be used in fire and smoke protection doors in combination with the external Power Reserve module "SVP-PR DCW®" (item no: 70922601)!
- The **SVA 2000F** is a motorized lock with the same functions as the SVA 2000, which is also approved for use in fire and smoke protection doors. The SVA 2000F contains an integrated Power Reserve module. The SVA 2000F cannot be switched to "permanently open" because this function is not permitted for use on fire and smoke protection doors.
- The locks SVA 2000 and SVA 2000F are compatible with an ED100 or ED250 from the ED firmware version V2.200 upwards. If the EDs have an older firmware version, this must be updated.

3.5 Overview

3.5.1 Tubular frame locks

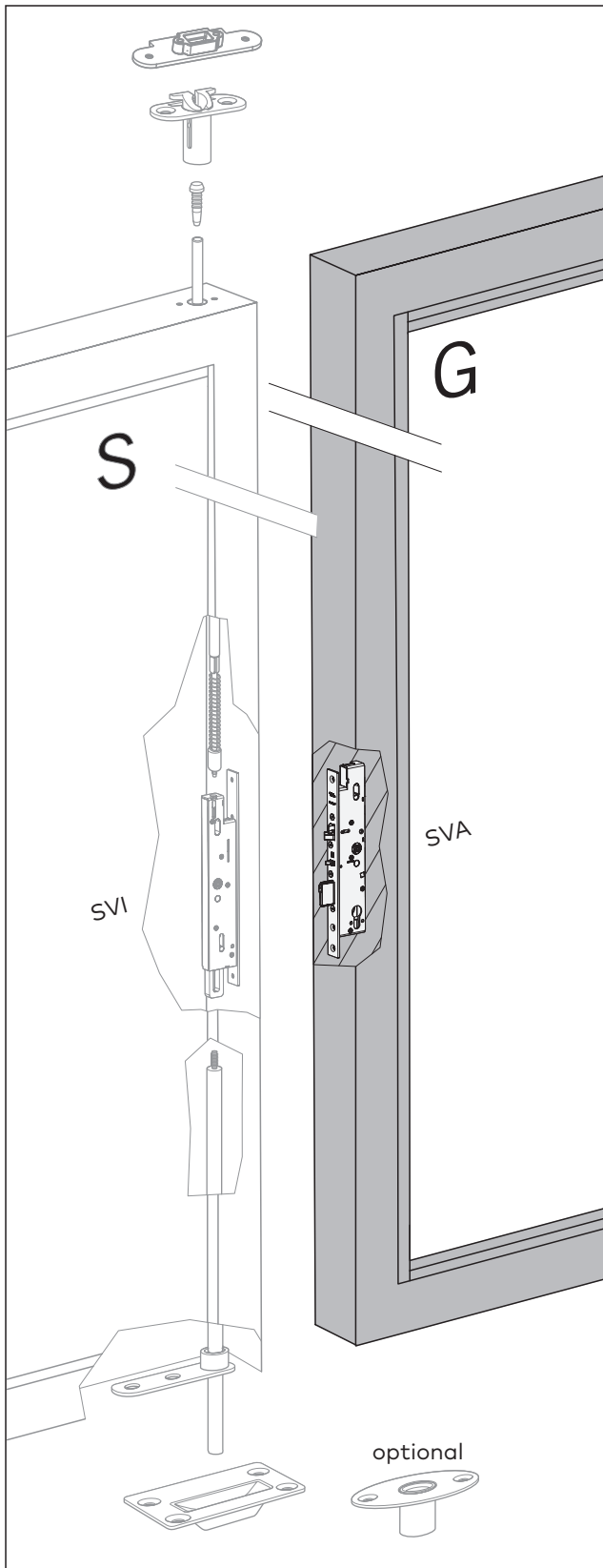


Fig. 4 Active leaf with tubular frame lock

3.5.2 Solid door locks

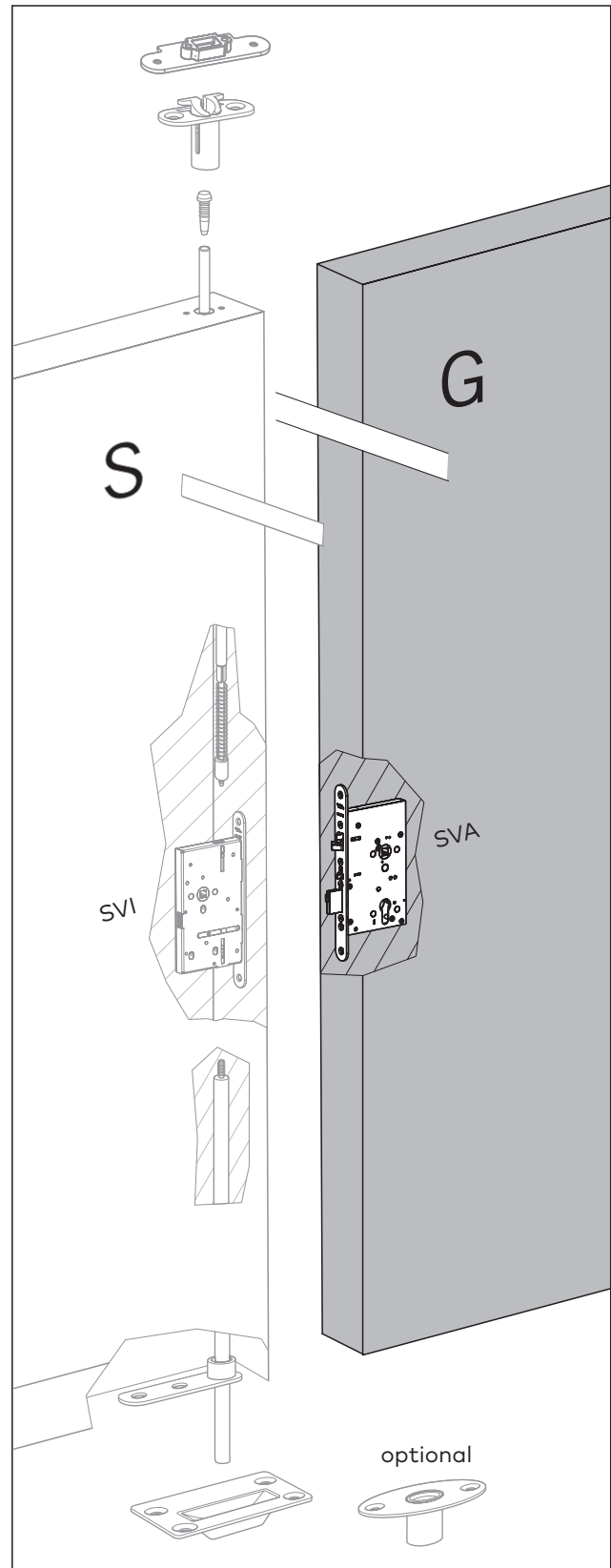


Fig. 5 Active leaf with solid door lock

3.4 Classification

3.4.1 Tubular frame locks

CE	dormakaba Deutschland GmbH Postfach 4009 - 58247 Ennepetal
-----------	--

	0432-CPR-00026-96	18
SVA 4000 RR SVA 5000 RR	EN 12209:2003/ AC:2005	3 X 6 1 0 G 7 B B 2 0
DOP_0164		

	0432-CPR-00026-97	18
SVA 2000 RR SVA 2000F RR SVA 6000 RR	EN 14846:2008	3 S 6 E* O M 7 1 1**/3 3 S 6 E O M 7 1 1**/3 3 X 6 E O M 7 1 3
DOP_0165		

	0432-CPR-00026-11	18
SVA 2000 RR SVA 2000F RR SVA 4000 RR SVA 5000 RR SVA 6000 RR	EN 179:2008	3 7 7 B* 1 4 5 2 A A 3 7 7 B 1 4 5 2 A A
DOP_0166		

	0432-CPR-00026-01	18
SVA 2000 RR SVA 2000F RR SVA 4000 RR SVA 5000 RR SVA 6000 RR	EN 1125:2008	3 7 7 B* 1 4 2 1/2 A/B A 3 7 7 B 1 4 2 1/2 A/B A
DOP_0167		

* only with external PR module "SVP-PR DCW®"
(item no: 70922601)
** operation mode "Stand Alone"

3.4.2 Solid door locks

CE	dormakaba Deutschland GmbH Postfach 4009 - 58247 Ennepetal
-----------	--

	0432-CPR-00026-19	15
SVA 4000 VB SVA 5000 VB	EN 12209:2003/ AC:2005	3 X 9 1 0 G 7 B B 2 0
DOP_0160		

	0432-CPR-00026-08	15
SVA 2000 VB SVA 2000F VB SVA 6000 VB	EN 14846:2008	3 S 5 E* O L 7 1 1**/3 3 S 5 E O L 7 1 1**/3 3 S 5 E O L 7 1 3
DOP_0161		

	0432-CPR-00026-11	17
SVA 2000 VB SVA 2000F VB SVA 4000 VB SVA 5000 VB SVA 6000 VB	EN 179:2008	3 7 7 B* 1 4 5 2 A A 3 7 7 B 1 4 5 2 A A
DOP_0162		

	0432-CPR-00026-02	17
SVA 2000 VB SVA 2000F VB SVA 4000 VB SVA 5000 VB SVA 6000 VB	EN 1125:2008	3 7 7 B* 1 4 2 1/2 A/B A 3 7 7 B 1 4 2 1/2 A/B A
DOP_0163		

* only with external PR module "SVP-PR DCW®"
(item no: 70922601)
** operation mode "Stand Alone"

3.6 Tubular frame locks

3.6.1 Parts included

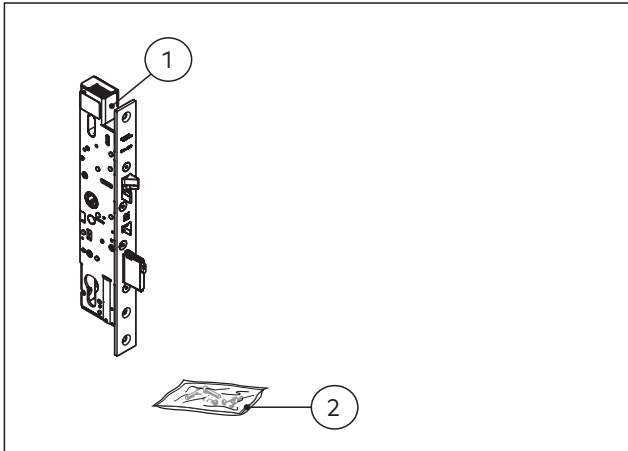


Fig. 6 Parts included

- 1 Door lock
- 2 Screws

3.6.2 Lock dimensions

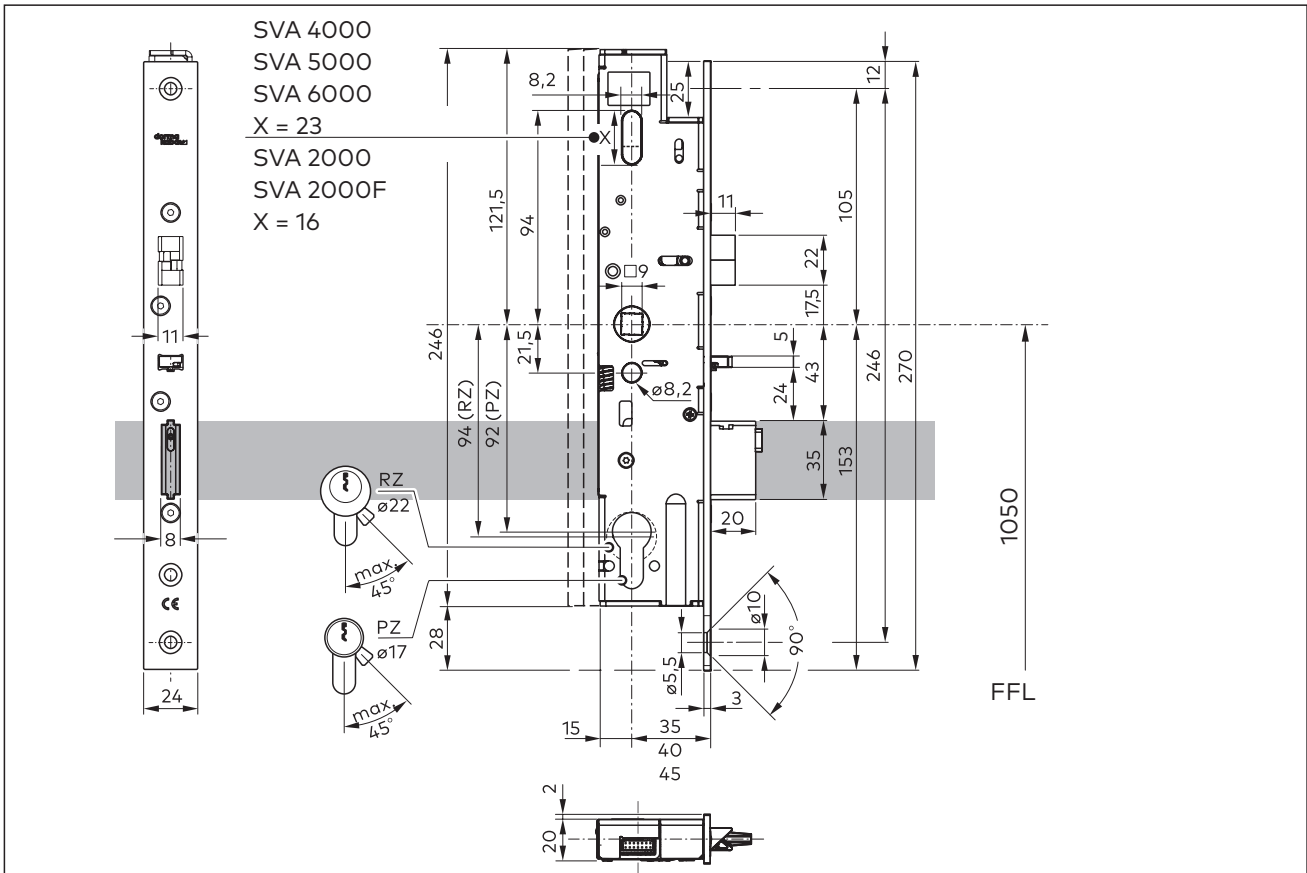


Fig. 7 Lock dimensions

3.7 Solid door locks

3.7.1 Parts included

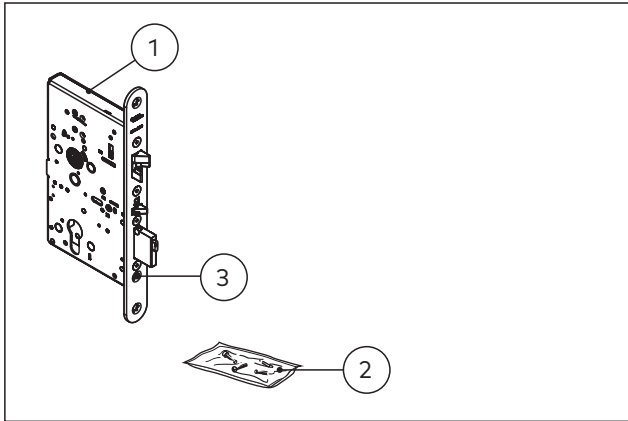


Fig. 8 Parts included

- 1 Door lock
- 2 Screws
- 3 Cylinder fixing screw (SVA 2000 and 2000F only)

3.7.2 Lock dimensions

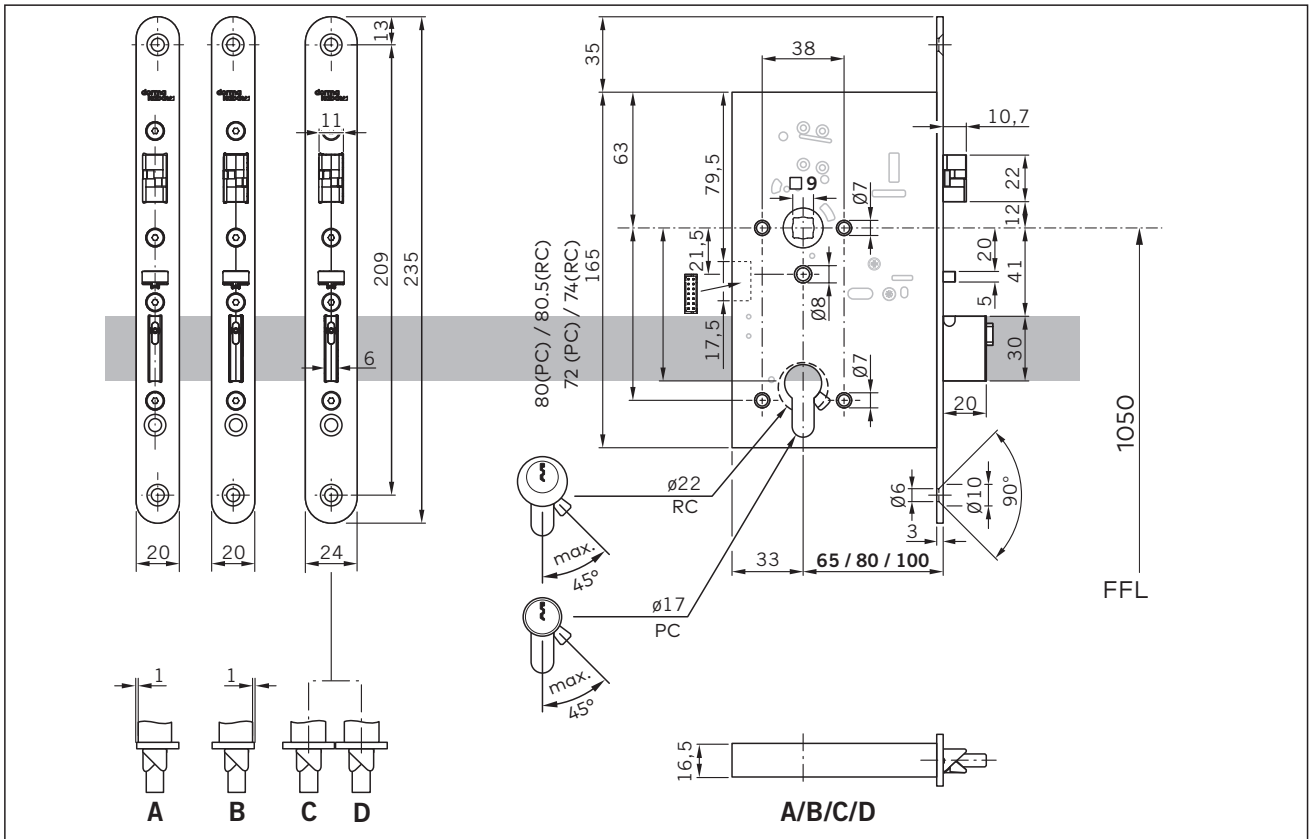


Fig. 9 Lock dimensions

3.7.3 Door versions

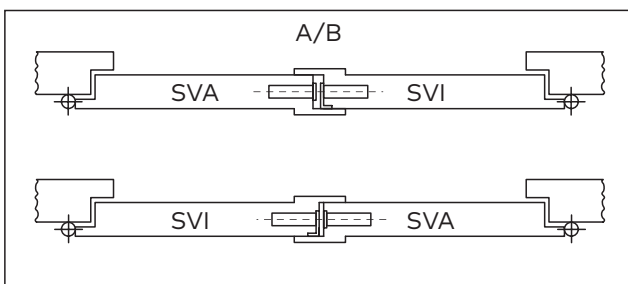


Fig. 10 Folding doors

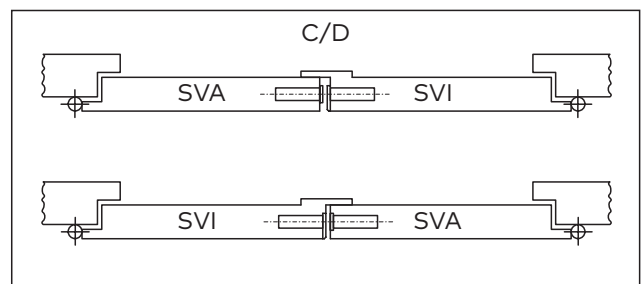


Fig. 11 Rebated doors

4 Mounting

4.1 Safety during mounting



WARNING

Danger to life from crowding in front of a jammed door.

If the door leaf is deformed by more than 5 mm, the door may not always open reliably!

- SVA door locks should only be installed in doors with a maximum deformation of 5 mm!
- In case of more severe deformation, verify that the door opens reliably with the fitting!



WARNING

Danger to life due to incorrect mounting on fire and smoke protection doors.

Mounting on fire and smoke protection doors is only permitted if the usability certificates for these doors provide for the mounting.

- Observe the requirements in the usability certificates.



TIPS AND RECOMMENDATIONS

- The mounting is shown on a DIN-left door. For a DIN-right door, the procedure must be mirror-inverted.
- The mounting is shown with a long plate. For other door fittings, other mounting points may have to be used.

4.2 Requirements for mounting

- The door corresponds to the specifications in Fig. 12 and is deformed by a maximum of 5 mm.
- For mounting along escape routes:
The door opens in the escape direction. If the door opens in the opposite direction to the escape direction, a building authority permit must be obtained.
- There are recesses and pre-drilled holes in the active door leaf (see chapter 4.4).
- For all locks except SVA 5000:
The door leaf is equipped with the connection cable SVA-A 1100/2100.
- If the door leaf is equipped with the SVA-A 1000 connection cable, then the "SVA-A Adapter (A1000)" must be used (item no: 70932991).

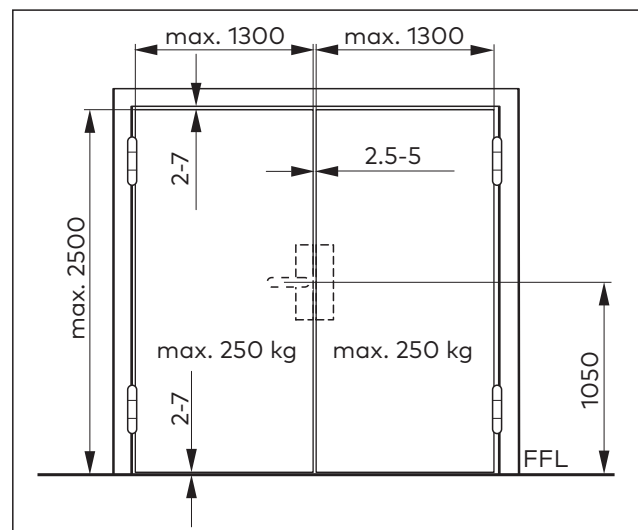


Fig. 12 Requirements for the door

4.3 Tools and auxiliary materials

The following must also be available on site:

- a locking cylinder – a profile cylinder or a round cylinder depending on the perforation in the lock case and in the door leaf
- for the inner side of the door: one door handle (according to EN 179) or one panic bar (according to EN 1125)
- for the outer side of the door: one door knob
- with SVA 6000: another door handle (for SVA 6000: with split locking pin) and a control to control the magnet with a voltage between 12 or 24 V DC.

4.4 Preparatory work

4.4.1 Mill-cut and drill door leaf for tubular frame locks

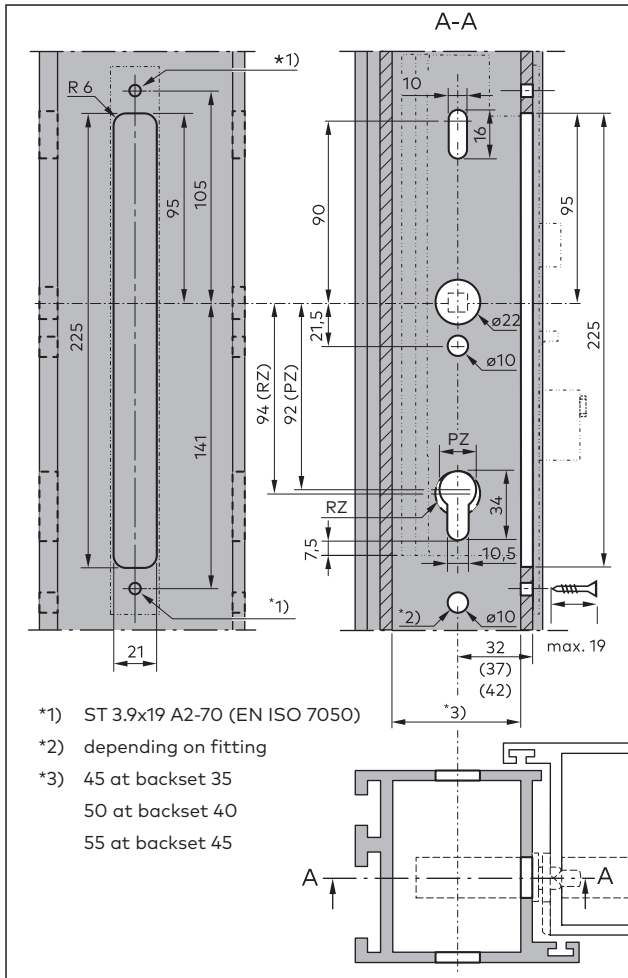


Fig. 13 Recesses and pre-drilled holes in door leaf

4.4.2 Mill-cut and drill the door leaf for solid door locks

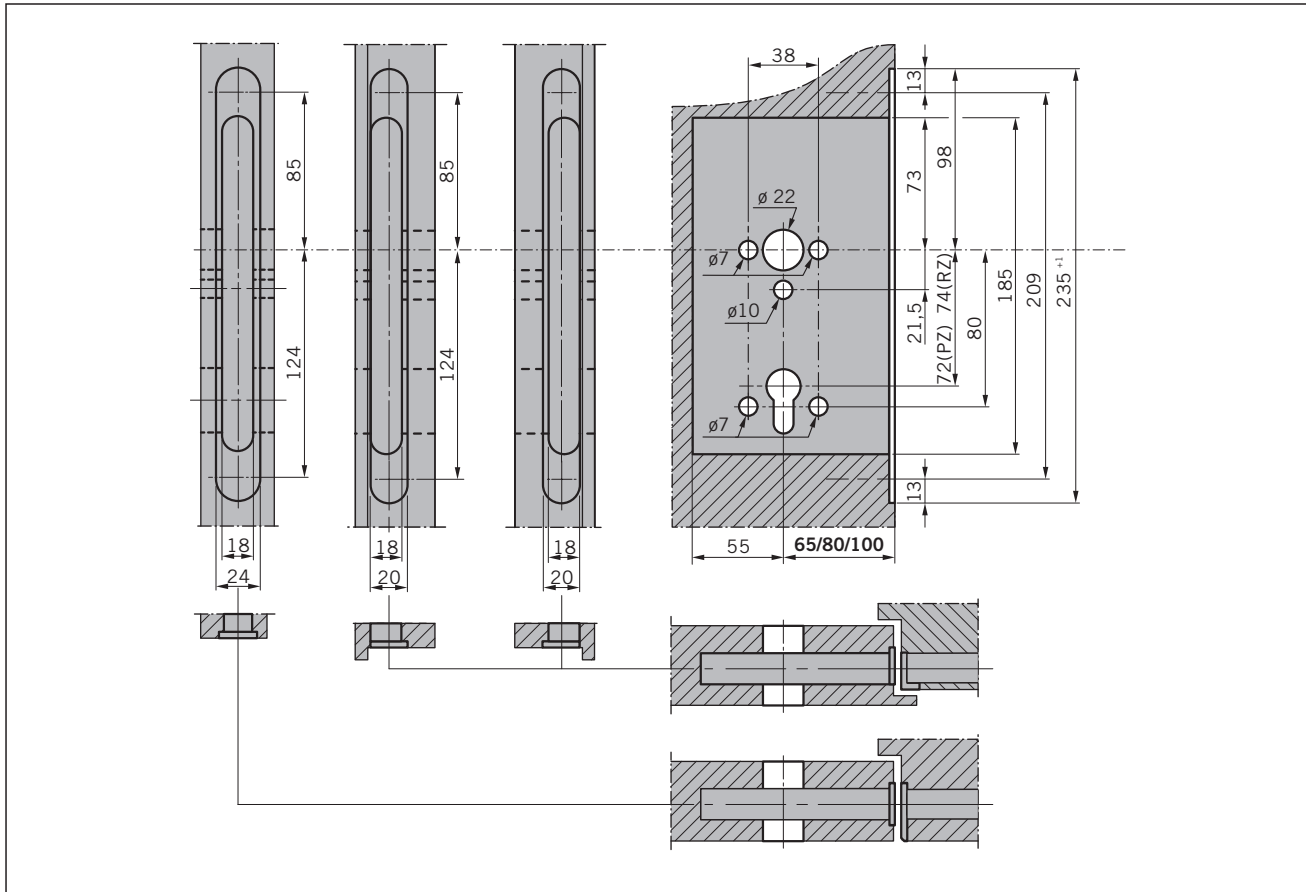


Fig. 14 Recesses and pre-drilled holes in door leaf

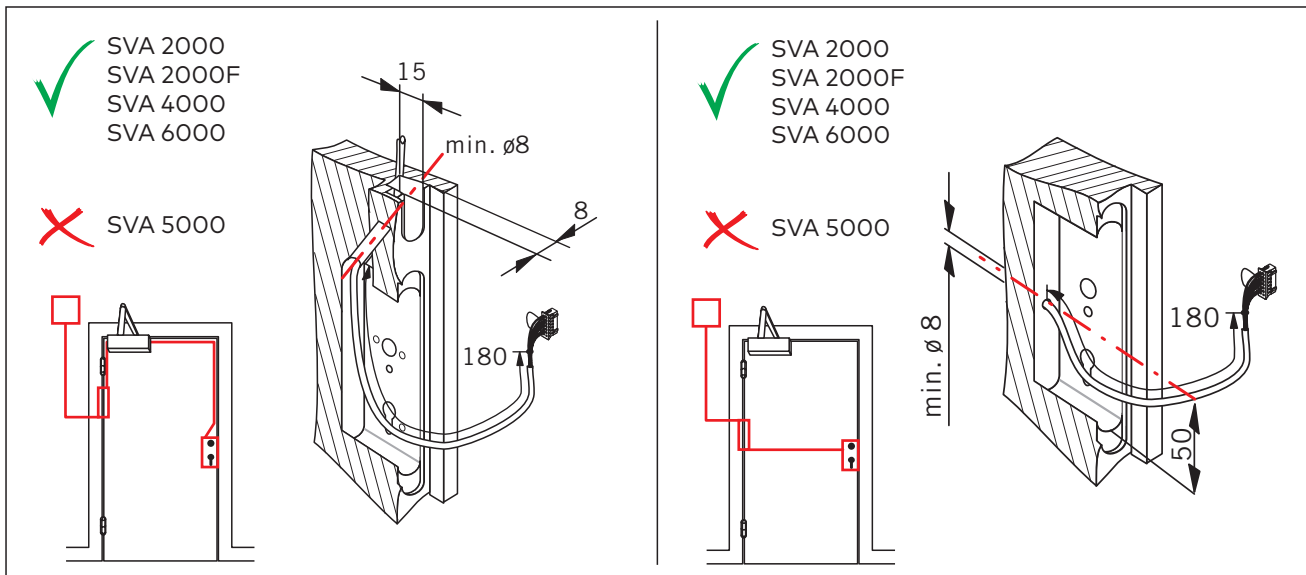


Fig. 15 Recesses and pre-drilled holes in the door leaf for wiring

4.5 Mount locks

4.5.1 Mount tubular frame lock

1. Connect the cable (Fig. 16).



TIPS AND RECOMMENDATIONS

In the case of earthed door frames, the bridge on the plug must be disconnected.

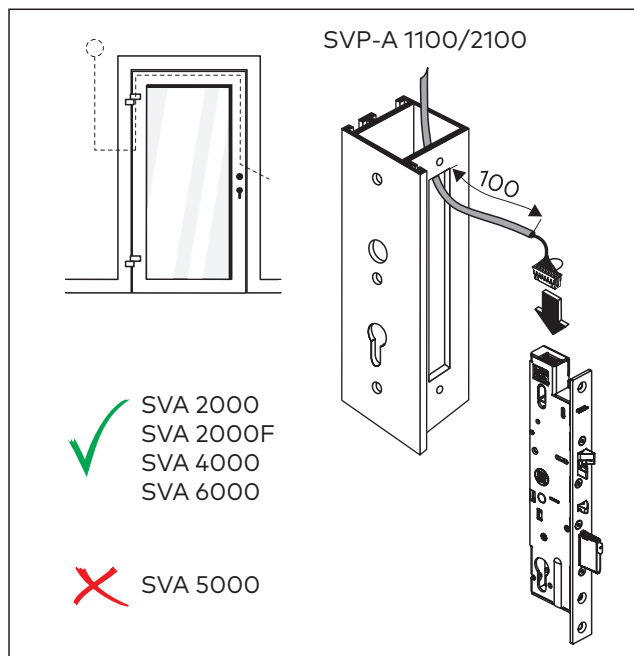


Fig. 16 Connect cable

2. Insert the door lock into the door leaf recess (Fig. 17).

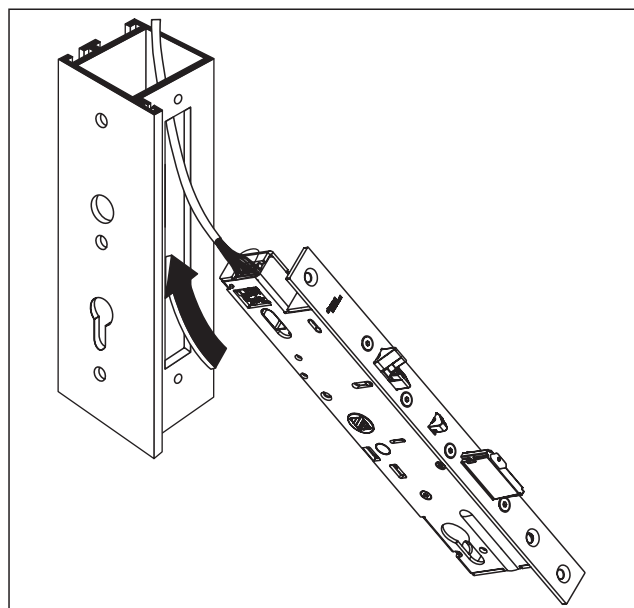


Fig. 17 Insert door lock

3. Screw the door lock tight (Fig. 18).

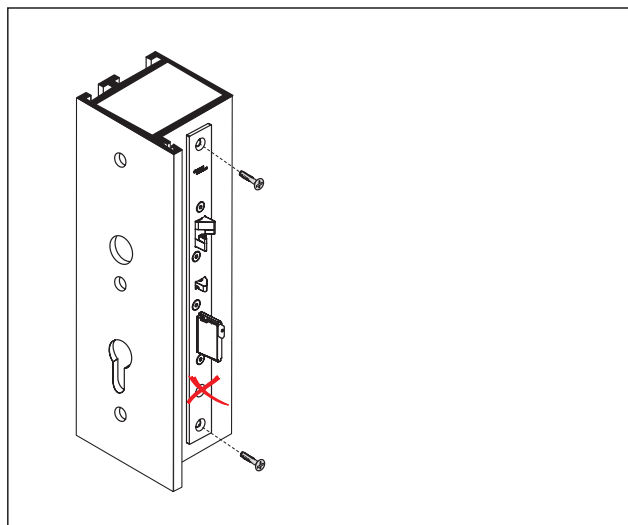


Fig. 18 Screw door lock tight

4. Mount the door handle and locking cylinder (Fig. 19).

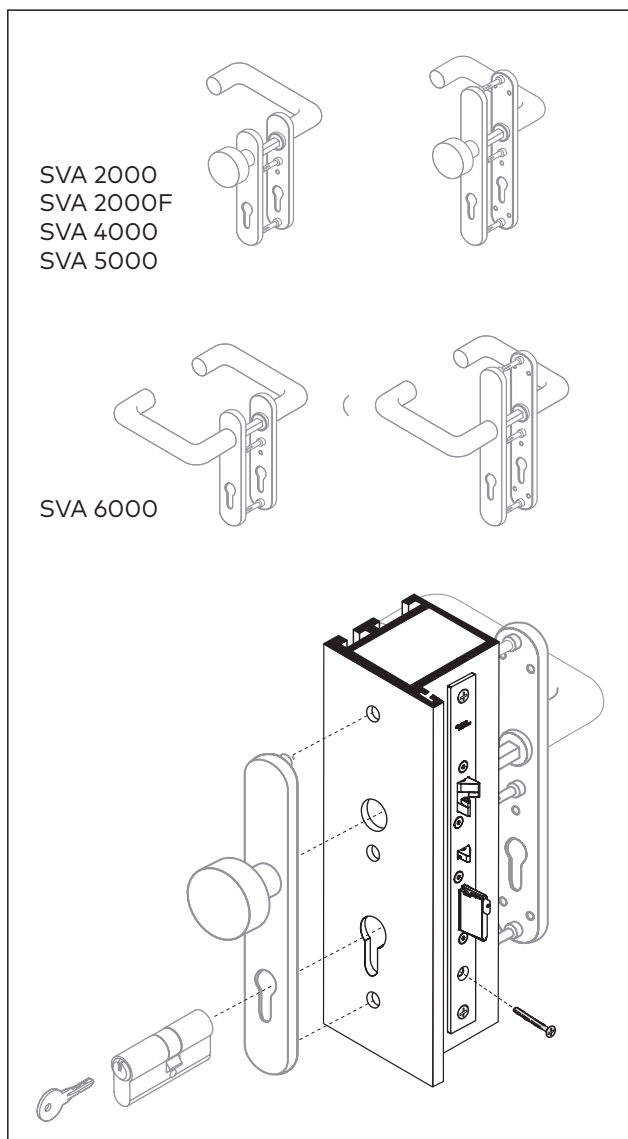


Fig. 19 Mount door handle and locking cylinder

4.5.2 Mount solid door lock

1. If necessary, change operating current (OC) to quiescent current (QC) (Fig. 20).

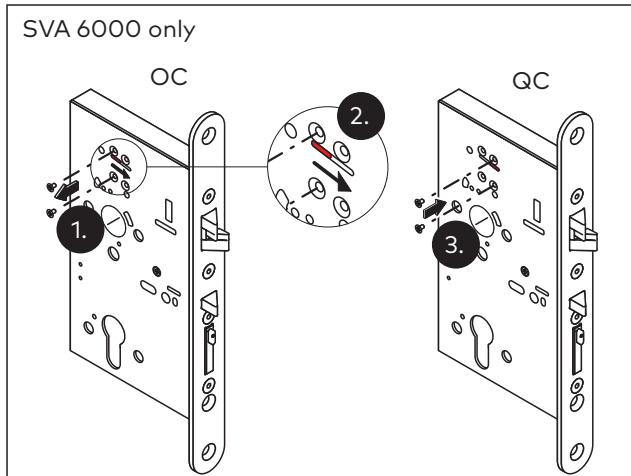


Fig. 20 Change operating current to quiescent current

2. Connect the cable (Fig. 21).



TIPS AND RECOMMENDATIONS

In the case of earthed door frames, the bridge on the plug must be disconnected.

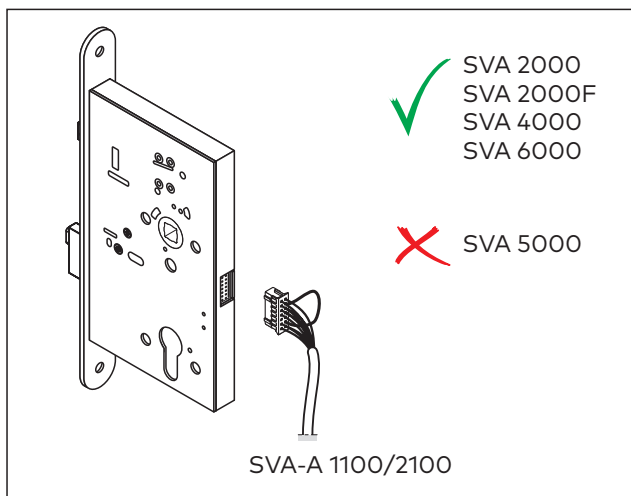


Fig. 21 Connect cable

3. Insert the door lock into the door leaf recess (Fig. 22).

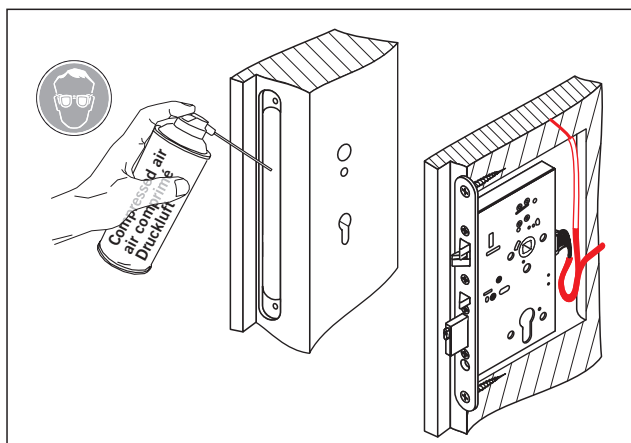


Fig. 22 Insert door lock

4. Screw the door lock tight (Fig. 23).

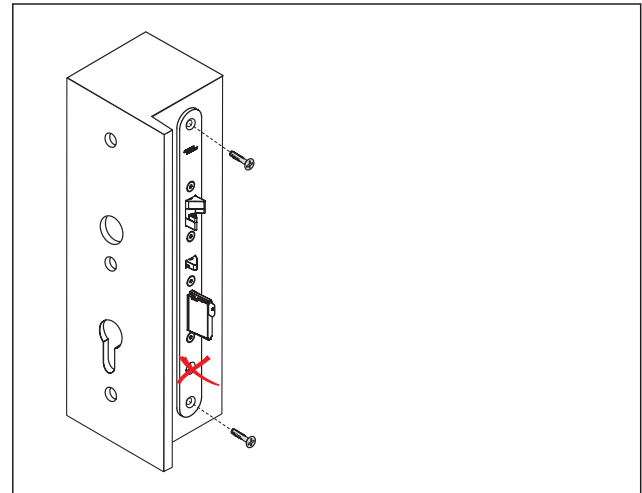


Fig. 23 Screw door lock tight

- 5.



Attention!

Risk of property damage due to the use of an incorrect cylinder screw with the locks SVA 2000 and SVA 2000F.

Mount the door handle and locking cylinder (Fig. 24). For SVA 2000/2000F locks, use only the cylinder screw supplied with the lock to secure the cylinder (DIN EN ISO 7046-1, M5 x (backset + 5 mm)).

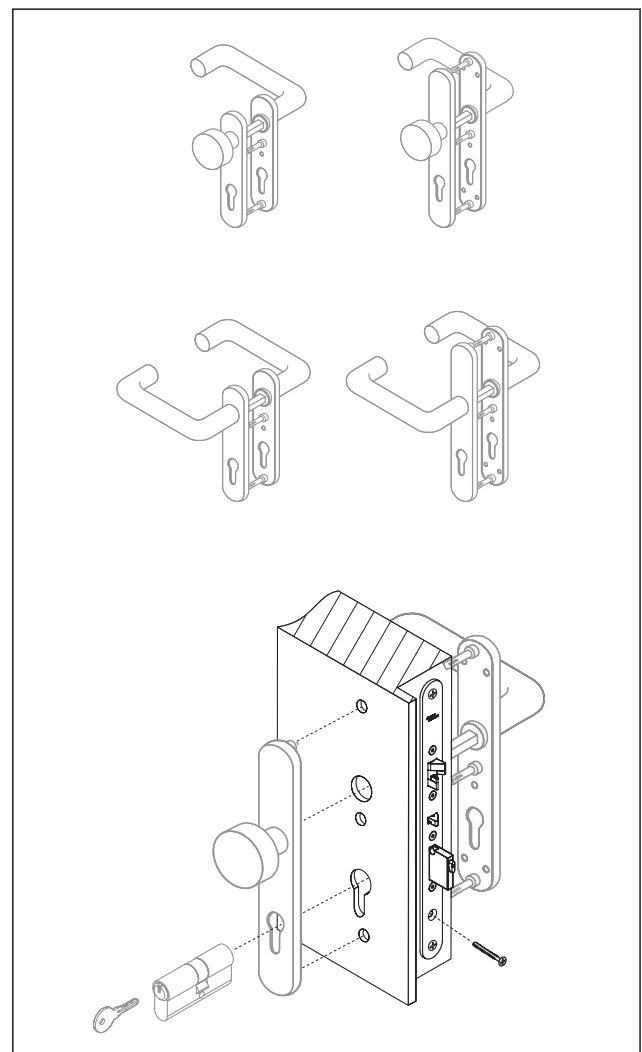


Fig. 24 Mount door handle and locking cylinder

5 Parameterization (SVA 2000/2000F only)

5.1 LED display

With the SVA 2000 and SVA 2000F, colored light signals in the area around the bolt indicate the status of the parameterizable values (Fig. 25 and Fig. 26). The LED is covered by the forend and is not directly visible. The LED color indicates the operation mode when the door is open (see chapter 5.2.1). The LED display signals the options selected during parameterization (see chapters 5.6.1 to 5.6.3). In addition, the LED display shows the error messages (see chapter 9).

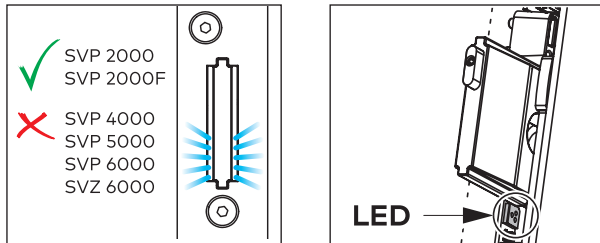


Fig. 25 LED display in bolt recess for tubular frame locks

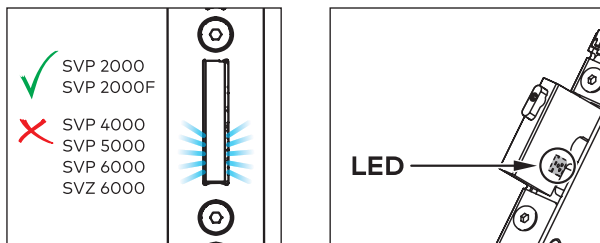





Fig. 26 LED display in bolt recess for solid door locks

5.2 Adjustable parameters

5.2.1 Operation mode

The operation mode determines whether and how the signals are transmitted between the door lock and the control unit. During normal operation, the LED lights up in the operation mode's color as soon as the door is opened.

Operation mode	LED display
DCW® bus	 blue
CAN bus	 yellow
Stand Alone	 orange

In DCW® bus operation, the SVA 2000/2000F can be combined with a DCW® component, e.g. a SVP-S 4x/SVP-S 3x control unit, a SafeRoute® SCU or the ED 100/ED 250 swing door operator. In DCW® bus or CAN bus operation, the lock is controlled externally. In Stand Alone operation a potential-free switch can, for example, be connected.

5.2.2 Bus address

The components on a bus must be registered with a unique address. SVA door locks can be assigned addresses 1 to 4. If a door lock with address 1 is already connected to the door, a different address

must be set on the second SVA door lock (see chapters 5.6.1 and 5.6.2).

5.2.3 Terminating resistor

In the CAN bus operation mode, the terminating resistor must be switched on for the door lock with the greatest distance to the bus center point.

5.3 Default settings

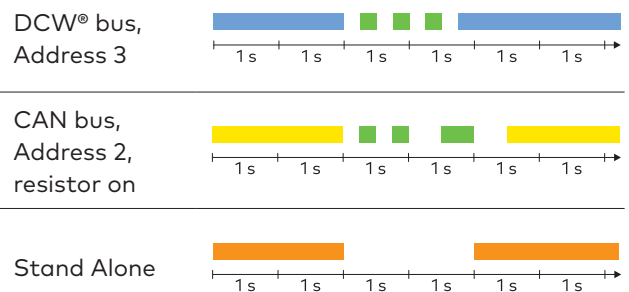
Parameter	Default setting
Operation mode	DCW® bus
Bus address	1
Terminating resistor (only on CAN bus)	Switched off

5.4 Display at system start

As soon as the operating voltage is switched on, the LED displays the last set parameters one after the other when the door is open:

- Operation mode: The LED lights up blue, yellow or orange for 2 s.
- Bus address in DCW® or CAN bus operation: The LED flashes green 1 x – 4 x.
- Terminating resistor (only in CAN bus operation): The LED lights up green for 1 s when the resistor is switched on. If the resistor is switched off, there is no additional signaling.

Example LED display at system start



5.5 Change parameters

5.5.1 Requirements

- The door lock is mounted (see chapter 4) and is under operating voltage.
- The system was de-energized for min. 30 seconds before start-up.
- The system was started up max. 20 min ago.
- The LED is not signaling an error (see chapter 9) and indicates an operation mode (see chapter 5.2.1).




TIPS AND RECOMMENDATIONS



Read the entire procedure.

Changed parameters must be saved within 5 min, otherwise parameterization is aborted (see chapter 5.6.5).

5.6 Parameterization

The parameters are set from the inside of the door in its installed state. The switches in the door lock are operated with a door handle or key.

Symbol	Operating method
	To start parameterization or to save changed parameters: Turn the door key in the locking cylinder in the unlocking direction until it stops and hold it there for at least 10 s.

Symbol	Operating method
	To jump from one selection to the next: Turn the door key briefly in the locking cylinder in the unlocking direction until it stops.
	To jump from setting to setting within a selection: Briefly press down the door handle until it stops.

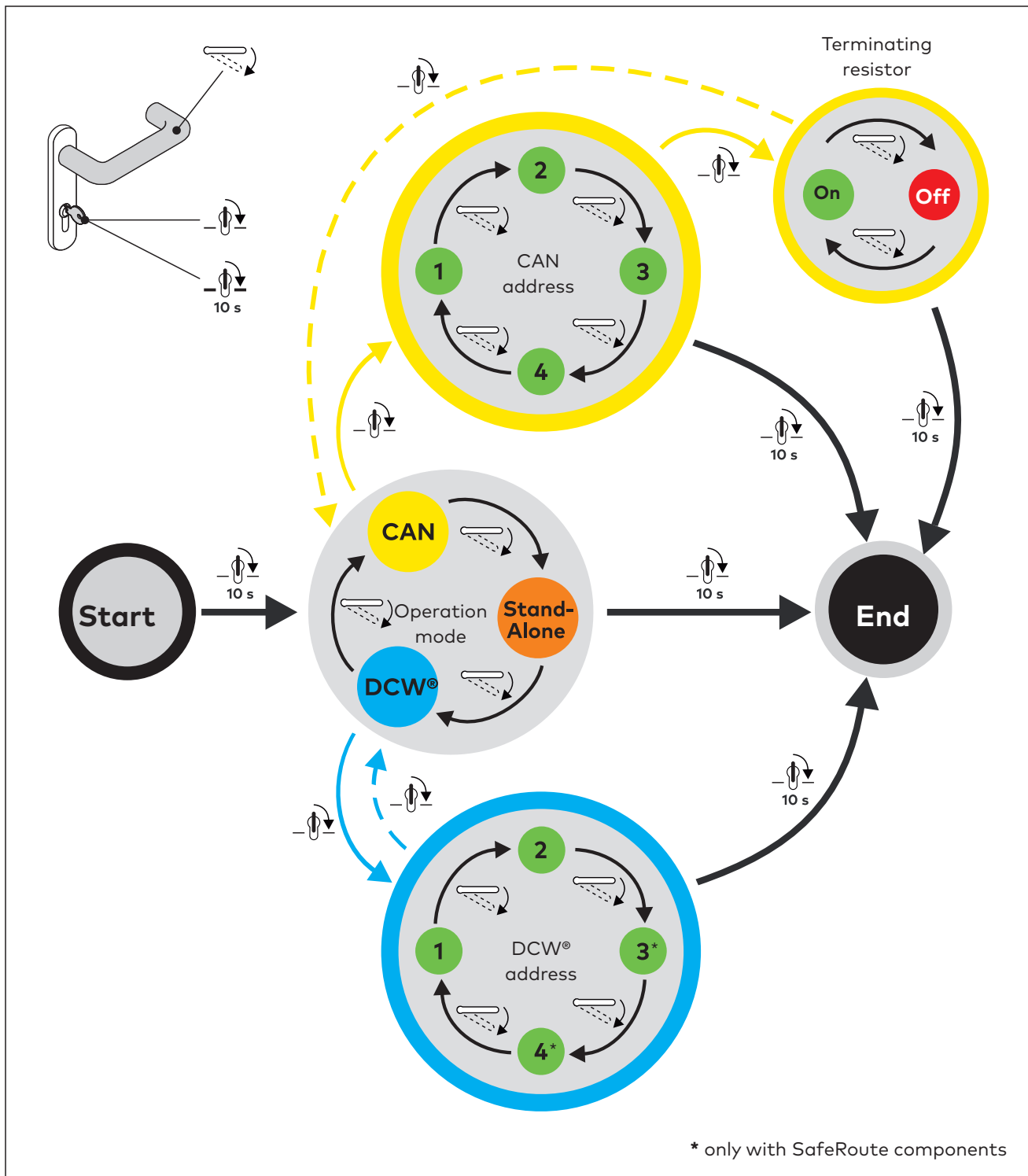


Fig. 27 Flow chart

5.6.1 Set for DCW® bus

Address assignment is only required in conjunction with a SafeRoute system with multi-door application.

1. Open the door and release the door handle.
 - ▶ The LED is constantly lit up.
2. Turn the key in the unlocking direction until it stops and hold it there for 10 s.
 - ▶ The LED flashes.
3. Turn the key back to its starting position.
4. Press the door handle down repeatedly and check the operation mode until the LED flashes blue.
5. Turn the key briefly in the unlocking direction until it stops.
 - ▶ The LED flashes green 1 x – 4 x:
1 x flashing = address 1
2 x flashing = address 2 etc.
The signal repeats itself after a pause of 2 s.
6. Press the door handle down repeatedly and check the DCW® address until the desired address is reached.
7. Turn the key in the unlocking direction until it stops and hold it there for 10 s.
 - ▶ The LED flashes green for 2 s and then lights up constantly blue.

→ **The door lock is set for operation on the DCW® bus.**
8. Turn the key back to its starting position.

5.6.2 Set for CAN bus

1. Open the door and release the door handle.
 - ▶ The LED is constantly lit up.
2. Turn the key in the unlocking direction until it stops and hold it there for 10 s.
 - ▶ The LED flashes.
3. Turn the key back to its starting position.
4. Press the door handle down repeatedly and check the operation mode until the LED flashes yellow.
5. Turn the key briefly in the unlocking direction until it stops.
 - ▶ The LED flashes green 1 x – 4 x:
1 x flashing = address 1
2 x flashing = address 2 etc.
The signal repeats itself after a pause of 2 s.
6. Press the door handle down repeatedly and check the CAN address until the desired address is reached.
7. If the terminating resistor does not need to be changed (see chapter 5.2.3), continue with step 9.
8. Turn the key briefly in the unlocking direction until it stops.

- ▶ The LED flashes red or green.
The signal repeats itself after a 2 s pause.
9. Press the door handle down repeatedly until the desired terminating resistor function is reached.
 - ▶ LED flashes green or red.
 10. Turn the key in the unlocking direction until it stops and hold it there for 10 s.
 - ▶ The LED flashes green for 2 s and then lights up constantly yellow.

→ **The door lock is set for operation on the CAN bus.**
 11. Turn the key back to its starting position.

5.6.3 Set for Stand Alone operation

1. Open the door and release the door handle.
 - ▶ The LED is constantly lit up.
2. Turn the key in the unlocking direction until it stops and hold it there for 10 s.
 - ▶ The LED flashes.
3. Turn the key back to its starting position.
4. Press the door handle down repeatedly and check the operation mode until the LED flashes orange.
5. Turn the key in the unlocking direction until it stops and hold it there for 10 s.
 - ▶ The LED flashes green for 2 s and then lights up constantly orange.

→ **The door lock is set for Stand Alone operation.**
6. Turn the key back to its starting position.

5.6.4 Jump back to the selection

- Jump back from the DCW® address selection to the operation mode selection:
Turn the key briefly in the unlocking direction until it stops 1 x.
- Jump back from the CAN address selection to the operation mode selection:
Turn the key briefly in the unlocking direction until it stops 2 x.

5.6.5 Cancel parameterization

- If the changes are not saved within 5 minutes of the start of parameterization, parameterization is aborted without the changes being accepted: The LED lights up red for 2 s, then it lights up constantly in the color for the originally set operation mode.
- If the power supply is interrupted during parameterization, any unsaved changes are discarded. Previously saved values are retained.

6 SVA 2000F integrated Power Reserve module test

The internal Power Reserve module is tested 5 minutes after the power is turned on and then every 48 hours. If the test completes with an error, the corresponding flashing code appears once according to the error messages (see chapter 9). The test is then performed a second time after a further 5 minutes. If this test is also negative, the flashing code is permanently displayed.

7 Pin assignment

7.1 SVA 2000(F)

SVP-A 1100/2100 cable colors		Operation mode		
		DCW	CAN	Stand Alone
PIN 1	bk	GND	GND	GND
PIN 2	rd	-	-	Unlock (1-leaf), pull input to GND via a switch.
PIN 3	wh	+24V DC	+24V DC	+24V DC
PIN 4		-	-	-
PIN 5	bn	-	-	Unlock (2-leaf), pull input to GND via a switch.
PIN 6	vio	Locked, output switches to GND (max. 30 mA)	Locked, output switches to GND (max. 30 mA)	Locked, output switches to GND (max. 30 mA)
PIN 7	rd/bu	-	-	-
PIN 8	bu	-	-	External door contact, pull input to GND via door contact. Door closed = contact closed
PIN 9	gn	B	CANH	-
PIN 10	pk/gy	-	-	-
PIN 11	ye	A	CANL	-
PIN 12		-	-	-
PIN 13*	gy	RS485 N	RS485 N	RS485 N
PIN 14*	pk	RS485 P	RS485 P	RS485 P

* with 2-leaf doors, connection to SVI lock in the fixed leaf

7.2 Smoke detector

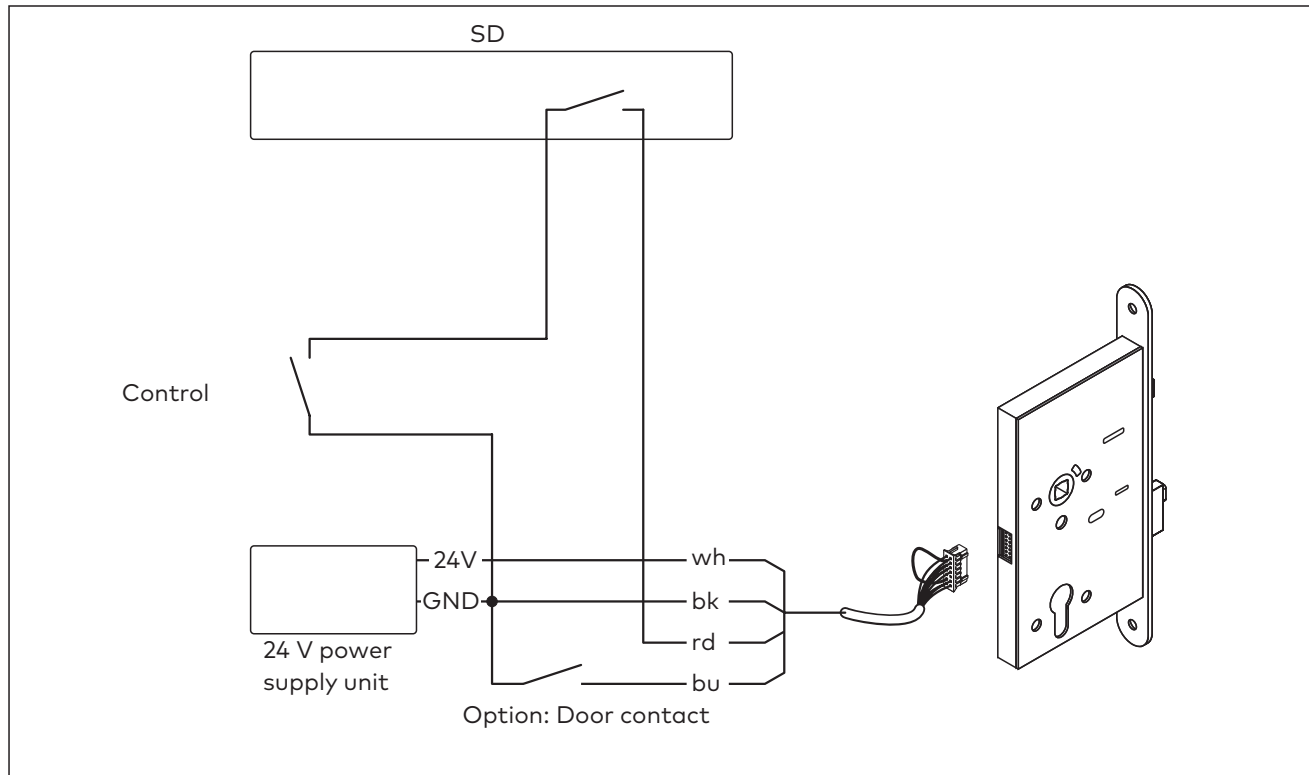








Fig. 28 Wiring of smoke detectors with a SVP 2000/SVP 2000F

8 Complete mounting

1. Check all gaps. If necessary, adjust the leaves in the door frame (Fig. 12).
2. Check that all the parts provided have been mounted and that no subsequent modifications have been made or additional locking devices added.
3. Make sure that the locking points are not blocked.
4. Use a force gauge to measure and record the actuating forces required to release the escape door lock. The actuating forces may be max. 70 N for escape doors according to EN 179 and max. 80 N for escape doors according to EN 1125.
5. This manual must be handed over to the facility operator and regular maintenance and recording duties must be observed (see chapter 10).

9 Error messages

LED display	Cause	Action
	Power supply outside the tolerance range (24 V DC +/- 15 %)	Check power supply unit.
	Power Reserve function test is faulty (SVA 2000F only)	Call dormakaba Service.
	Unlocking/locking not successful	Check whether the bolt is blocked from outside the lock. If not, call dormakaba Service
	DCW® bus connection interrupted	Check correct wiring.
	CAN bus connection interrupted	Check correct wiring.
	General error	Disconnect and reactivate the power supply for the door. If the error persists, call dormakaba Service.

10 Maintenance

Perform the following maintenance steps **at least once a month** to ensure safe use of the SVA door lock:

1. Check and operate all parts of the door lock. Ensure that they are fully operational.
2. Ensure all the parts provided have been mounted and that no subsequent modifications have been made or additional locking devices added.
3. Make sure that the locking points are not blocked.
4. Use a force gauge to measure and record the actuating forces required to release the escape door lock. The actuating forces may be max. 70 N for escape doors according to EN 179 and max. 80 N for escape doors according to EN 1125. The actuating forces must not have changed significantly compared to the measurement after the initial installation.
5. Note the date of maintenance, the corrective actions taken and the name of the person performing the work.

11 Disassembly and disposal

Disassembly is carried out in reverse order of the mounting instructions.



The product must not be disposed of in domestic waste.

Dispose of the product in an environmentally friendly manner at the arranged acceptance and collection points.

Refer to the statutory regulations for your country.