

NEMEF.**ASSA ABLOY**

3600 SERIES

RIM TYPE

The safety features of this product are essential to its compliance with EN 1125. No modification of any kind, other than those described in these instructions, are permitted.

3600 SERIES panic exit device can be fitted on doors, whether they are built in steel, aluminium or wood.

It is reversible and suitable for single or double glazed and unglazed doors; it is for use on hinged or pivoted doorleaves only, with over 200 Kg. in mass, 2520 mm. in height and 1320 mm. in width.

3600 SERIES panic exit device with push-bar for use on fire/smoke doors. • Classification: **B**
Designed for use on fire/smoke doors.

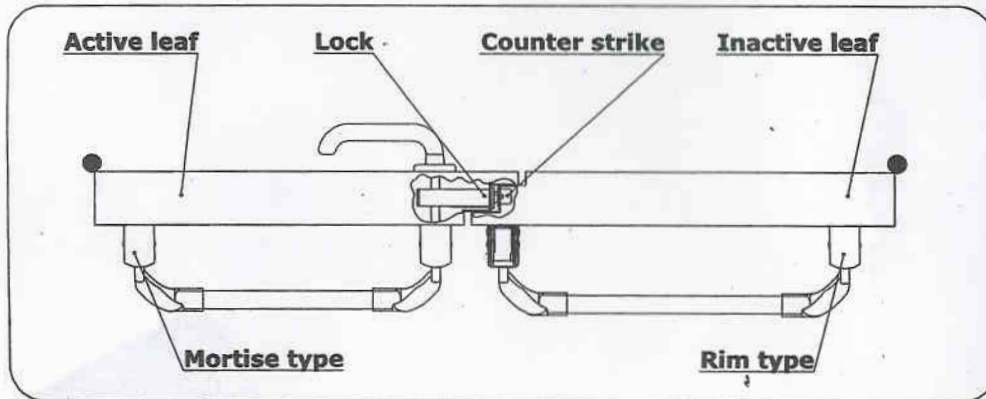
Panic exit device corresponds to the prerequisites required by the directive "Building Products" and following integration 89/106/CEE and to the requisites as per norm EN 1125:2008.

The certifying procedure performed attesting the conformity of system 1.

The number of CE conformity certification issued by ICIM, notified body no. 0425, is:

XXXX

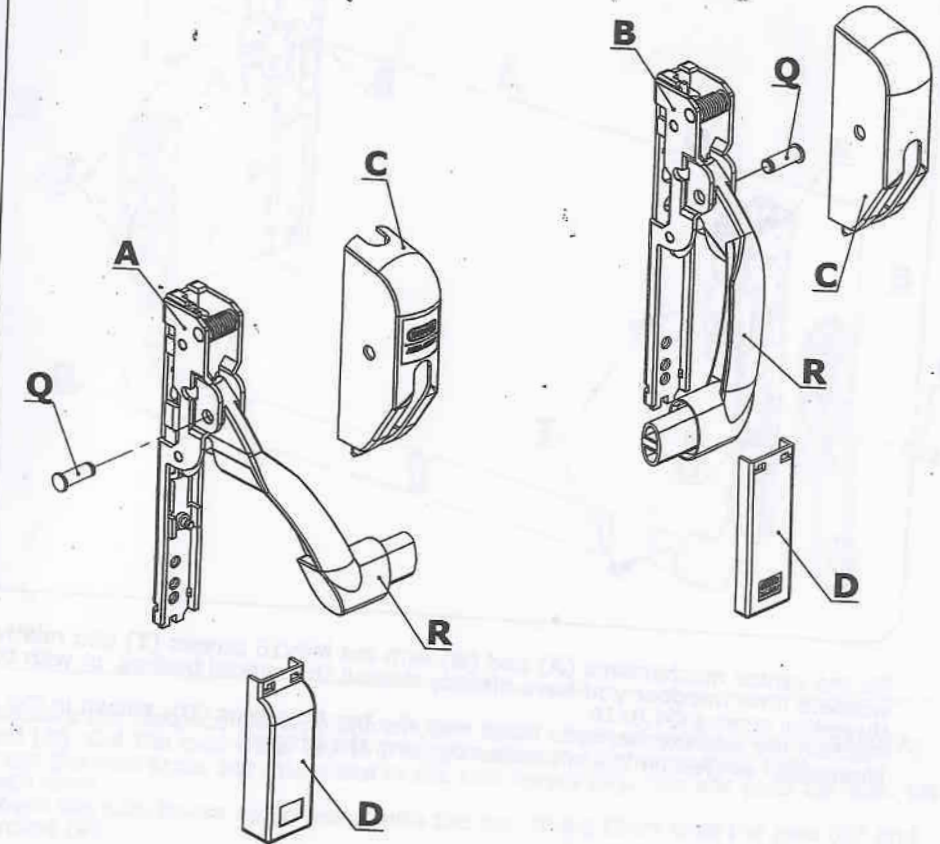
The product bears the CE mark and the company has the relative technical literature.

**NEMEF.****ASSA ABLOY**

3600 SERIES

RIM TYPE

MOUNTING INSTRUCTION



Remove the covers (**C**) and (**D**) from the mechanisms (**A** and **B**).
Extract the pins (**Q**) and remove the levers (**R**).

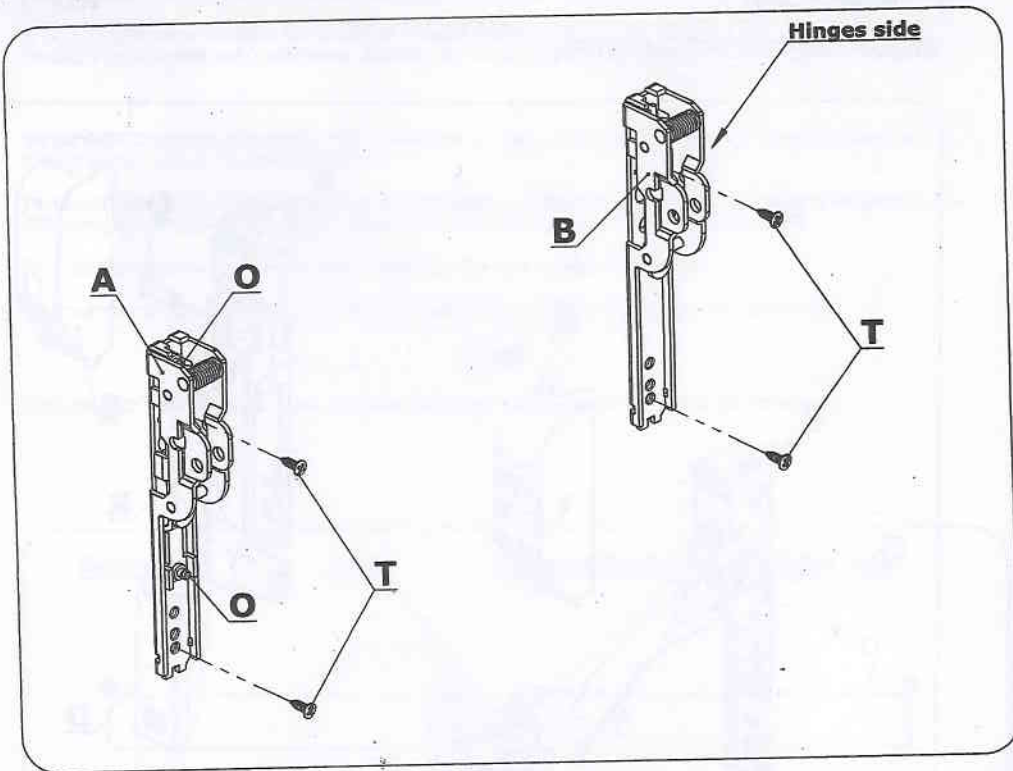
NEMEF.

3600 SERIES

RIM TYPE

ASSA ABLOY

FITTING THE CENTRE MECHANISMS



Fix the centre mechanisms (A) and (B) with the M4x16 screws (T) and relative lock washers if on the door you have already riveted the special bushes, or with the self threading screws $\varnothing 4,8 \times 16$. Position the side mechanisms fitted with the bar links pins (O), shown in the illustration as (A), on the opposite side from the hinges.

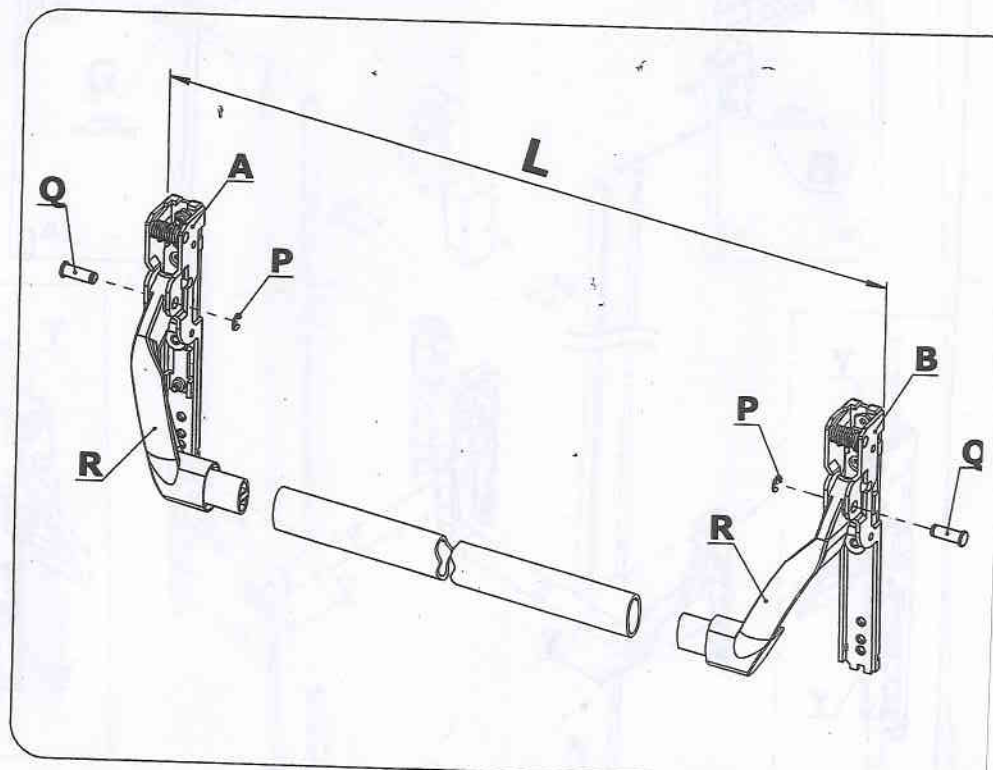
NEMEF.

3600 SERIES

RIM TYPE

ASSA ABLOY

MOUNTING THE OVAL CROSSBAR



Measure the distance (L) between the two outer edges of centre mechanisms (A) and (B). Cut the oval cross bar to a length equal to (L) minus 135 mm. Press the oval cross bar into place in the side levers (R). The bar goes 18 mm. into each lever. Mount the side levers again along with the bar, fixing them with the pins (Q) and circlips (P).

NEMEF.

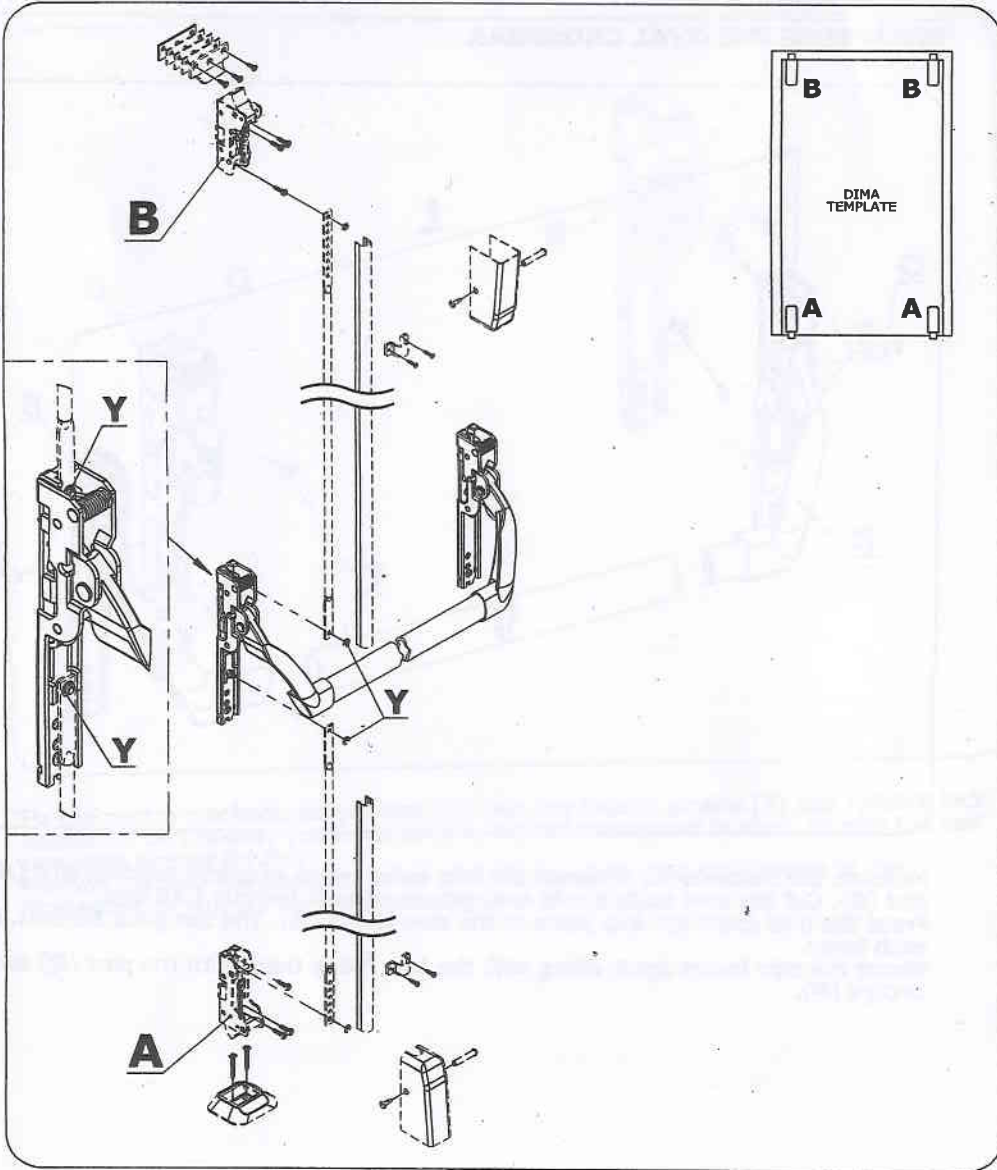
ASSA ABLOY

3600 SERIES

RIM TYPE

MOUNTING THE VERTICAL LATCHES

art.3660/01



NEMEF.

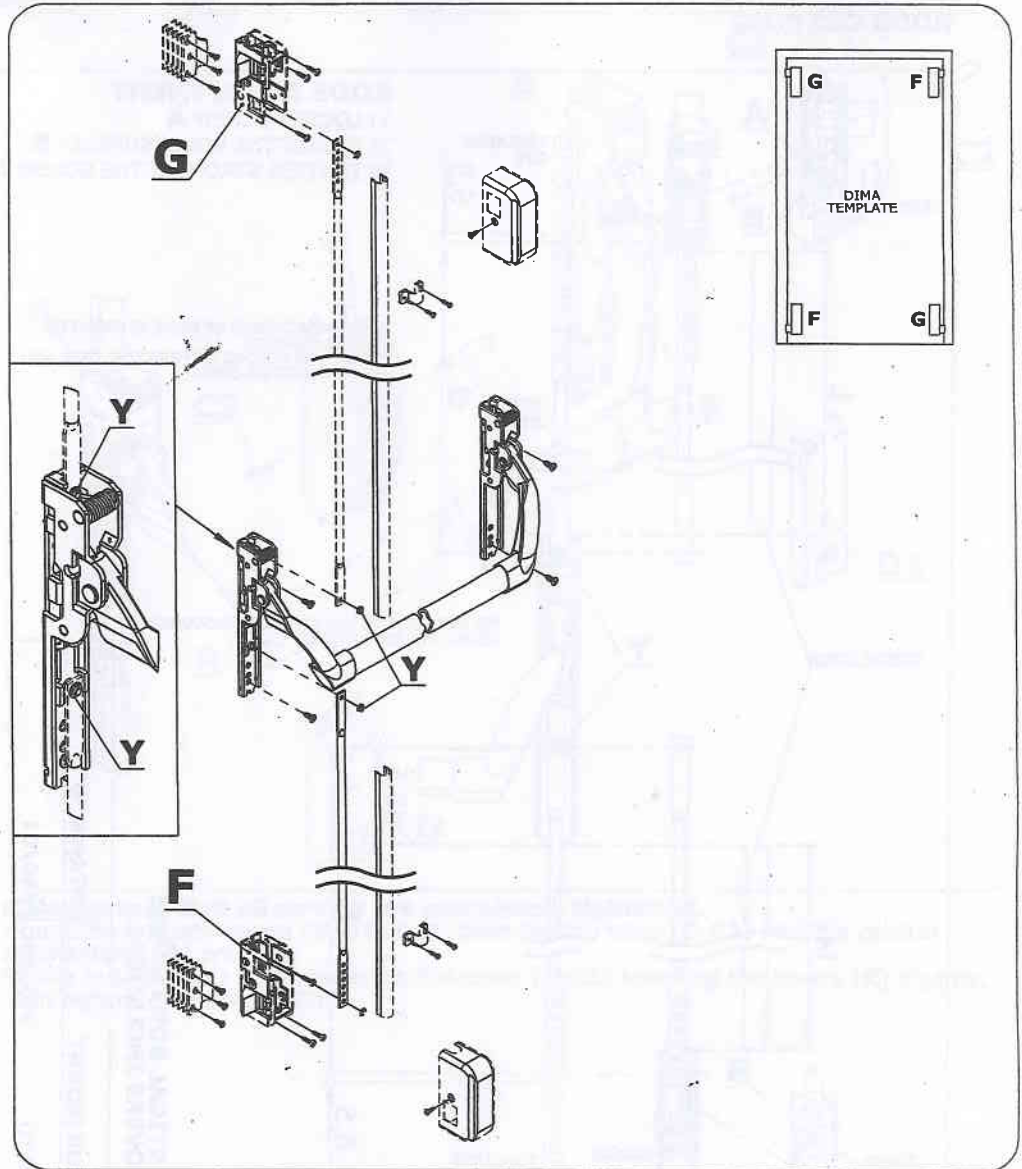
ASSA ABLOY

3600 SERIES

RIM TYPE

MOUNTING THE LATERAL LATCHES

art. 3660/02

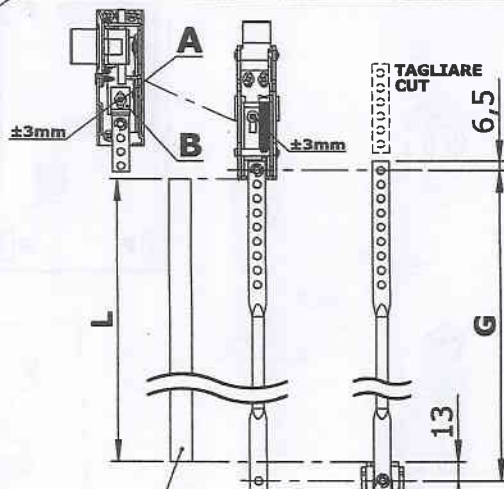


NEMEF.

ASSA ABLOY

3600 SERIES

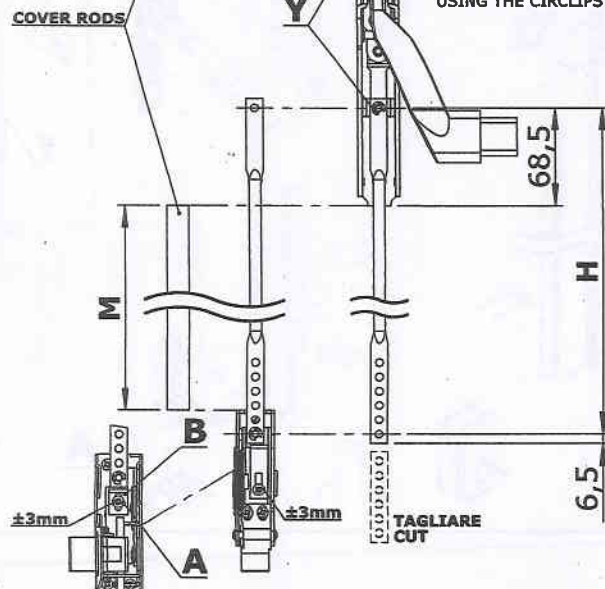
RIM TYPE

RODS CUTTING**RODS ADJUSTMENT**

- 1) LOOSEN SCREW **A**
- 2) ADJUST THE RODS' SUPPORT **B**
- 3) TIGHTEN STRONGLY THE SCREW **A**

WHEN ATTACHMENT OF RODS IS EFFECTED,
INSTALL COVERS.
INSERT THE SCREWS OF PRINCIPAL CASE AND THE
TOP AND BOTTOM CASES.

FIX THE RODS TO THE CENTRAL MECHANISM
USING THE CIRCLIPS (**Y**).

**VERTICAL RODS RANGE
(COVERS INCLUDED)**

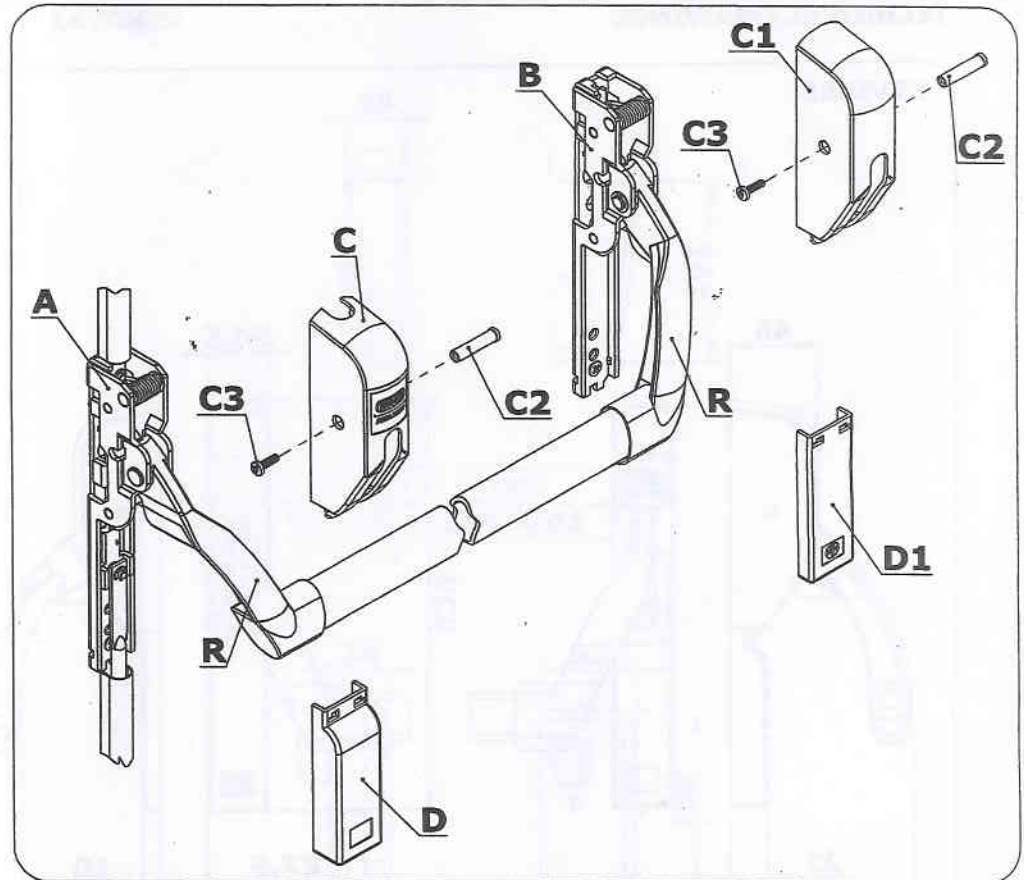
DOOR HEIGHT	ART.type "U"
UP TO	3646/01
	2400mm

NEMEF.

ASSA ABLOY

3600 SERIES

RIM TYPE

FINAL MOUNTING

Make certain that all screws are completely tightened.

Mount the bottom covers (**D-D1**) first, then the top ones (**C-C1**) into the central mechanisms (**A**) and (**B**).
Fit the bushes (**C2**) in the holes on the cover (**C-C1**) lowering the levers (**R**) slightly, then tighten the screws (**C3**).

NEMEF.

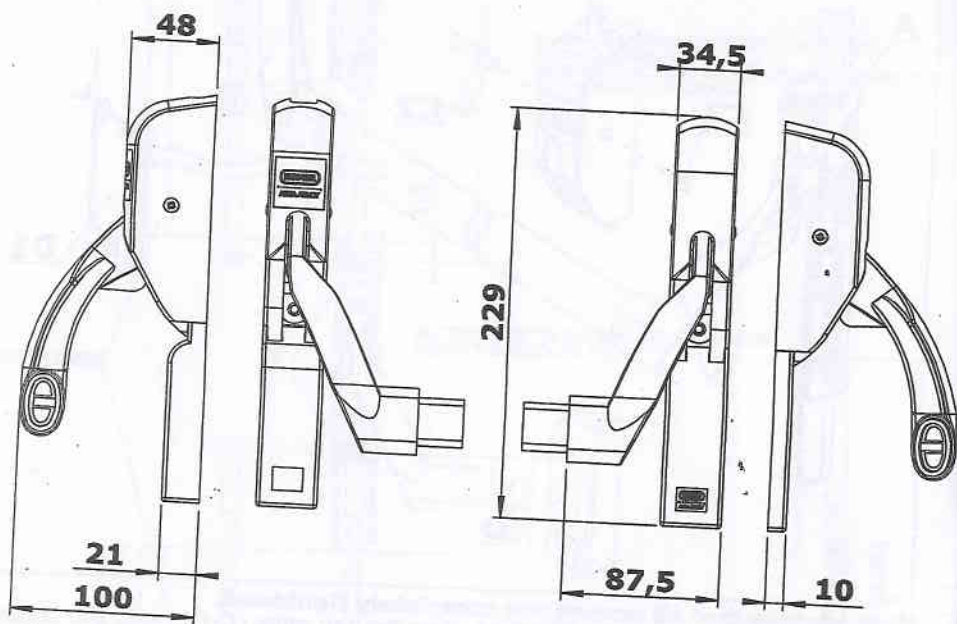
ASSA ABLOY

3600 SERIES

TECHNICAL DRAWINGS

RIM TYPE

DEVICES



Art.
3651/1

NEMEF.

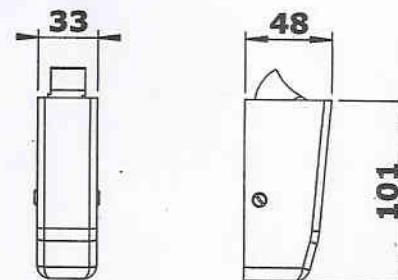
ASSA ABLOY

3600 SERIES

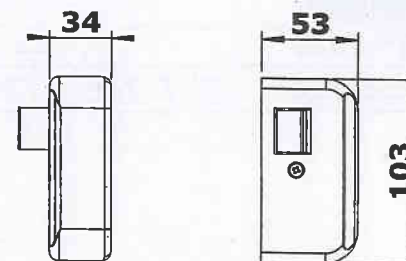
RIM TYPE

TECHNICAL DRAWINGS

LATCHES



Art.
3660/01



Art.
3660/02